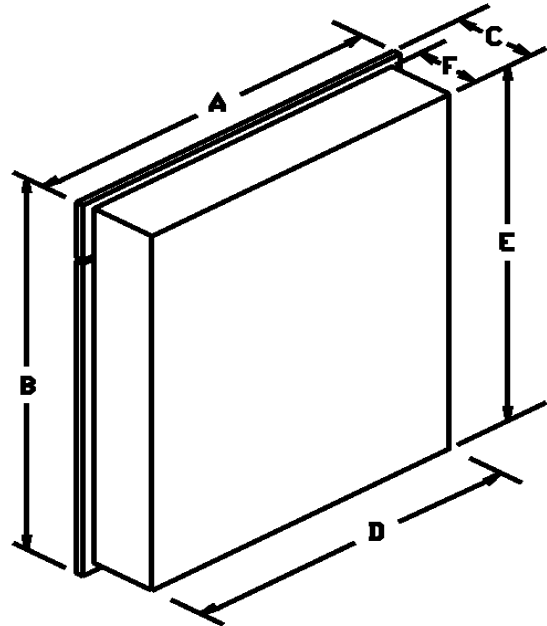


ASHLAND MEDICINE CABINETS WITH LIGHTS



FEATURES/TYPICAL SPECIFICATIONS

- Surface-Mounted Installation
- (3) 1/2" Beveled Edge Mirrors
- Housing/Body is PT02/Classic White Finish
- Housing/Body is Panel Style Construction (No Face-Frame) (WD/FMLS)
- Particle Board Construction with PVC Laminate
- MDF Back Panel
- Dowel/Glue & Tongue & Groove Construction
- Fully Assembled for Quick Installation
- 2 Fixed Shelves
- Integral Mounting Bars with Pre-Drilled Mounting Holes
- Nickel Finish Pivot Hinges (HG13)
- Includes Mounting Hardware
- CARB 93120 Phase 1 Compliant for Formaldehyde
- Satin Nickel Socket Cups
- Medium Base (E27) Sockets Typical
- Recommended Lamping 60W Maximum G25/G40 Lamps (Lamps by Others)
- Electrical Options are UL Listed



Model Numbers		Number of Lights	Dimensions In Inches					
NuTone	Broan		A	B	C	D	E	F
755427		3	23-1/2	27-3/4	4-3/4	22	26-1/2	4
755435	755435B	4	28-1/2	27-3/4	4-3/4	30	26-1/2	4
755443		5	34-1/2	27-3/4	4-3/4	36	26-1/2	4
755451		6	47-3/4	27-3/4	4-3/4	46	26-1/2	4

REFERENCE	QTY.	REMARKS	Project
			Location
			Architect
			Engineer
			Contractor
			Submitted by Date

* All models and material specifications are subject to change or withdrawal without notice.