

Installation Instructions

BERWICK™ / BOULEVARD™ 7430.801
SPREAD LAVATORY FAUCET 7430.821
 with Speed Connect™ Drain **7431.801**
7431.821



Certified to comply with ANSI A112.18.1
 M968640 REV. 1.1

Congratulations on purchasing your American Standard faucet with Speed Connect drain, a feature found only on American Standard faucets.

Speed Connect Drain*

- Fewer parts, installs in less time
- Never needs adjustment
- Guaranteed to seal properly the first time, every time.

*Your new American Standard faucet is designed to work only with the Speed Connect drain.

To ensure that your installation proceeds smoothly-please read these instructions carefully before you begin.

Recommended tools



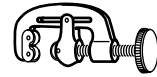
Screwdriver



Channel Locks



Adjustable Wrench



Tubing Cutter

1

INSTALL FAUCET

CAUTION

Turn off hot and cold water supplies before beginning.

NOTE: READ STEP #16 BEFORE INSTALLING SPOUT TO CONVERT FROM SWIVEL TO FIXED SPOUT.

- Seat SEAL (1) into under side of SPOUT BASE (2).
- Feed FAUCET SUPPLIES (3), MOUNTING STUD (4) and DRAIN CABLE ASSEMBLY (8) through the mounting hole of lavatory or mounting surface. *Figure A.*
- From below, slide DRAIN CABLE ASSEMBLY (8) and FAUCET SUPPLIES (3) through opening in the SPACER (9) against underside of deck. *Figure B.*
 Note: For thick deck installations the SPACER (9) is not required.
- From below, push GASKET (7) and RETAINING WASHER (5) onto MOUNTING STUD (4). Secure Faucet with MOUNTING NUT (6), pulling faucet to front of sink, so SUPPLIES (3) rests against mounting hole. Before final tightening, make sure collar on MOUNTING NUT (6) is seated into RETAINING WASHER (5). *Figure B.*
- Adjust Faucet so that it is centered. Tighten MOUNTING NUT (6) to complete faucet mounting.

Figure A

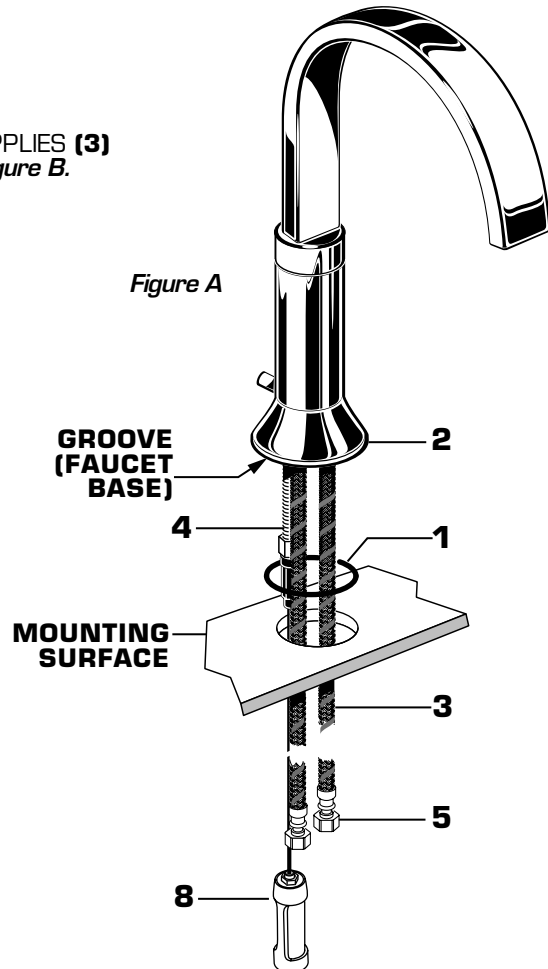
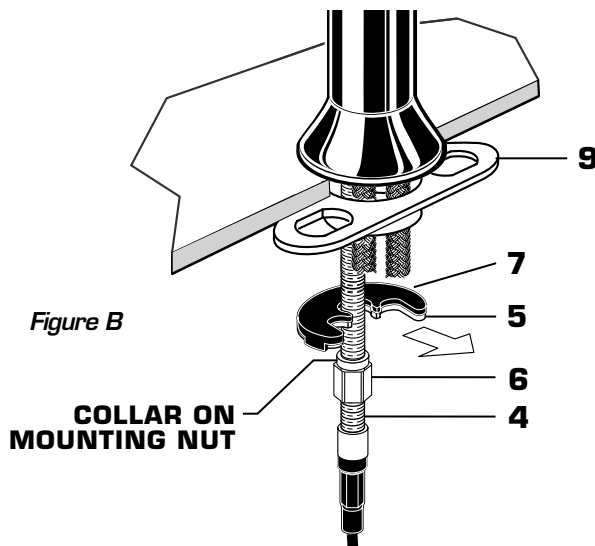
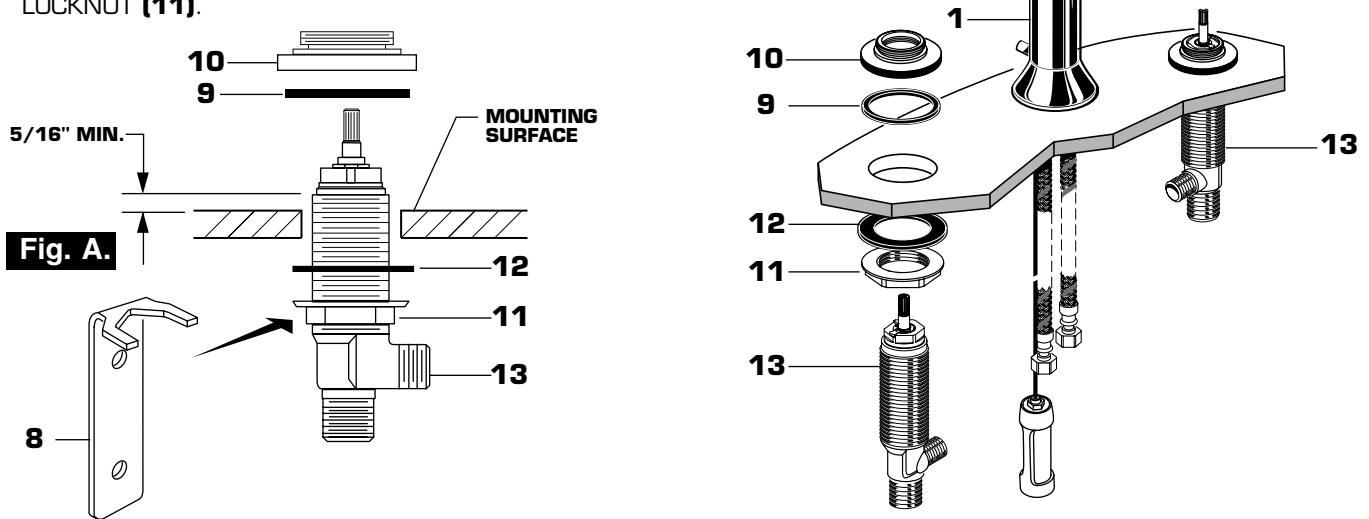


Figure B



2 VALVE INSTALLATION

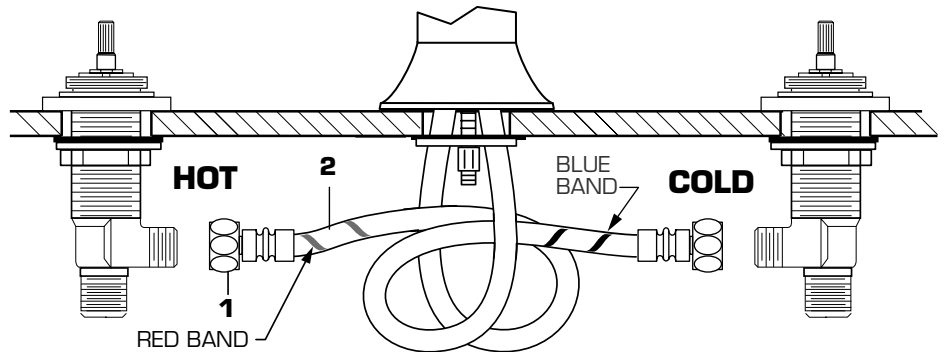
- Place RUBBER RING (9) into DECK ADAPTER (10).
- Install LOCKNUT (11) and RUBBER WASHER (12) onto VALVE BODY (13). From under side of mounting surface, install VALVE BODY (13) through valve mounting holes. Threads of VALVE BODY (13) should extend at least 5/16" of a inch above mounting surface top. **Fig. A.** Thread DECK ADAPTER (10) onto VALVE BODY (13) until snug against internal stop. If necessary, adjust LOCKNUT (11).



3 VALVE OUTLET SUPPLY CONNECTION

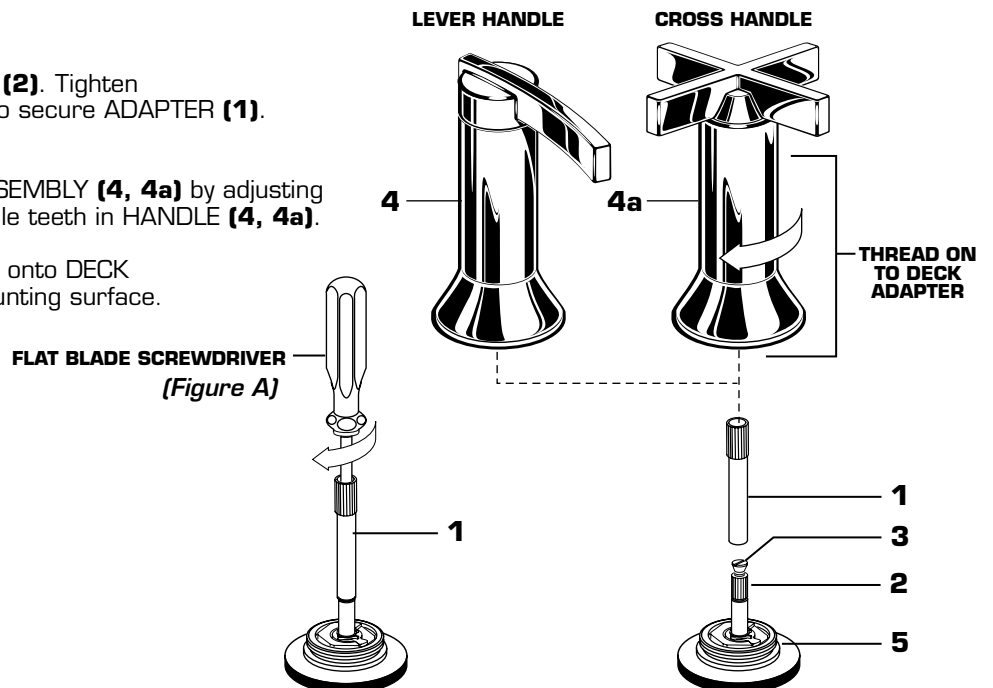
- Connect Red Banded Hose to Left Valve and Blue Banded Hose to Right Valve.
- Attach COUPLING NUTS (1) of SUPPLY HOSES (2) and tighten making water tight connection.

Important: Loop SUPPLY HOSES (2) as illustrated so they do not kink.



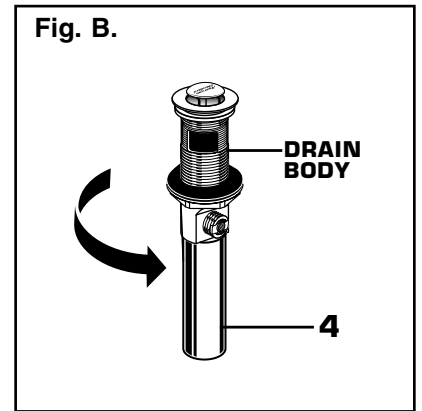
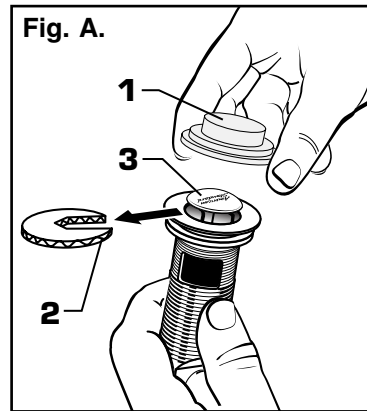
4 INSTALL HANDLES

- Push ADAPTER (1) on VALVE STEM (2). Tighten STEM SCREW (3) with a flat blade to secure ADAPTER (1). (Figure A)
- Find correct position of HANDLE ASSEMBLY (4, 4a) by adjusting male teeth on ADAPTER (1) to female teeth in HANDLE (4, 4a).
- Thread HANDLE ASSEMBLY (4, 4a) onto DECK ADAPTER (5) until snug against mounting surface.



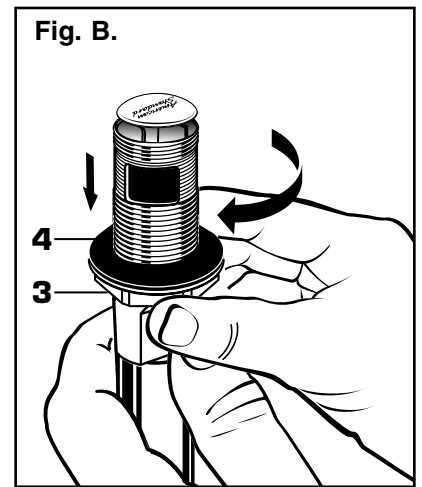
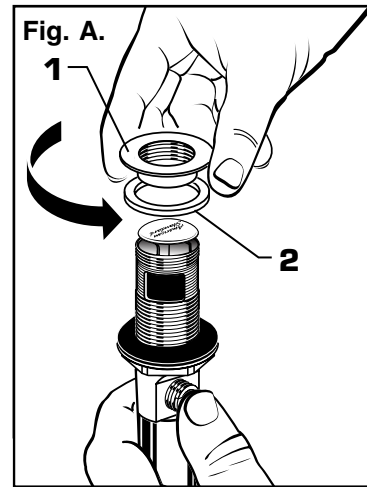
5 POP-UP DRAIN

- Remove CLEAR PLASTIC COVER (1).
- Remove CARDBOARD SPACER (2) from under DRAIN POP-UP (3).
- Tighten TAILPIECE (4) on DRAIN BODY before installing DRAIN BODY. Fig. B.



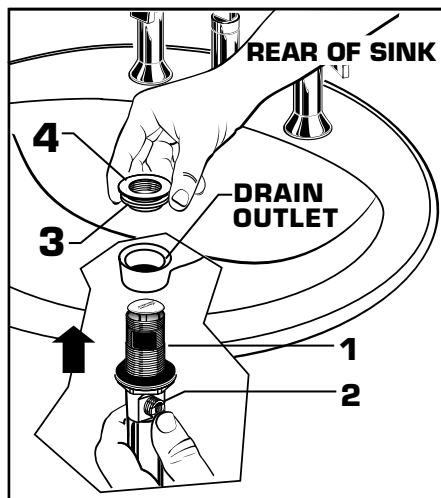
6 REMOVE FLANGE

- Thread FLANGE (1) counter-clockwise and remove FLANGE (1) and FOAM GASKET (2) from drain body. Fig. A.
- Thread LOCKNUT (3) clock-wise to bottom of drain body. Push GASKET (4) down against LOCKNUT (3). Fig. B.



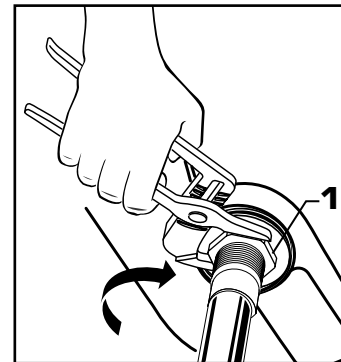
7 INSTALL DRAIN FROM BELOW FIXTURE

- From under side of SINK install DRAIN BODY (1) up through drain outlet.
- Note:** No plumber's putty or caulk is required. The CABLE ATTACHMENT POINT (2) must face towards the rear of the SINK.
- Install FOAM GASKET (3) and FLANGE (4) onto drain body from above SINK and tighten FLANGE (4) firmly.



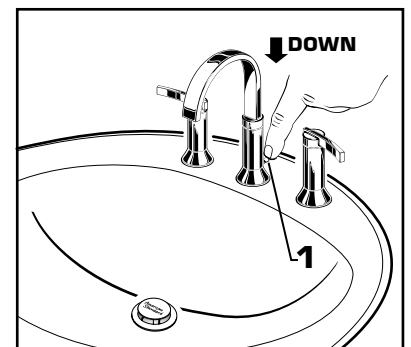
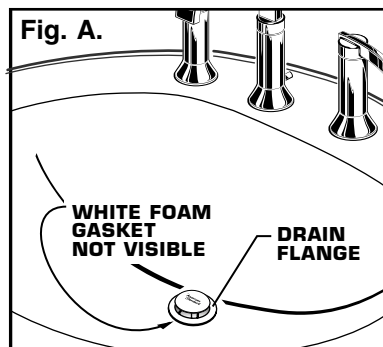
8 TIGHTEN LOCKNUT

- Tighten LOCKNUT (1) firmly with Adjustable Wrench or Channel Locks.



9 FLANGE GASKET AND POP-UP KNOB

- Check DRAIN FLANGE in SINK to ensure that WHITE FOAM GASKET (3) is fully compressed and not visible. Fig. A.
- POP-UP KNOB (1) must be fully down. Fig. B.



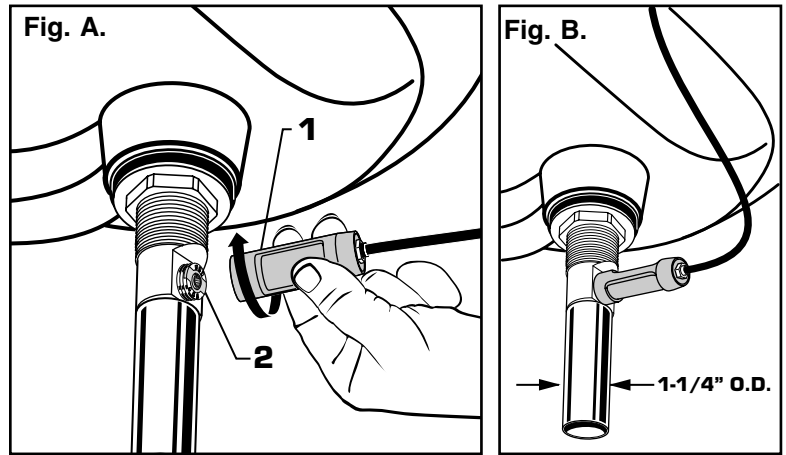
10

ATTACH CABLE CONNECTOR

- Thread CABLE CONNECTOR (1) clockwise onto DRAIN BODY CONNECTION (2) and hand tighten. Fig. A.

Your new POP-UP DRAIN installation is now complete. Fig. B.

Note: Tailpiece on pop-up drain is 1-1/4" O.D. Fig. B.

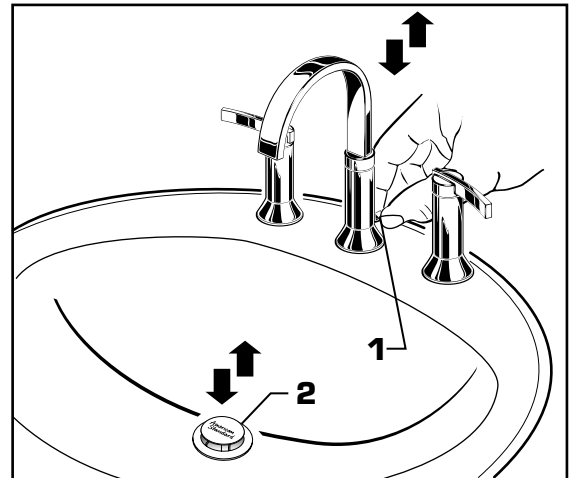


11

CHECK OPERATION OF POP-UP

- Operate LIFT KNOB (1) to verify that STOPPER (2) opens and closes.

Note: If STOPPER (2) does not open and close properly then refer to the "troubleshooting section" of these instructions.

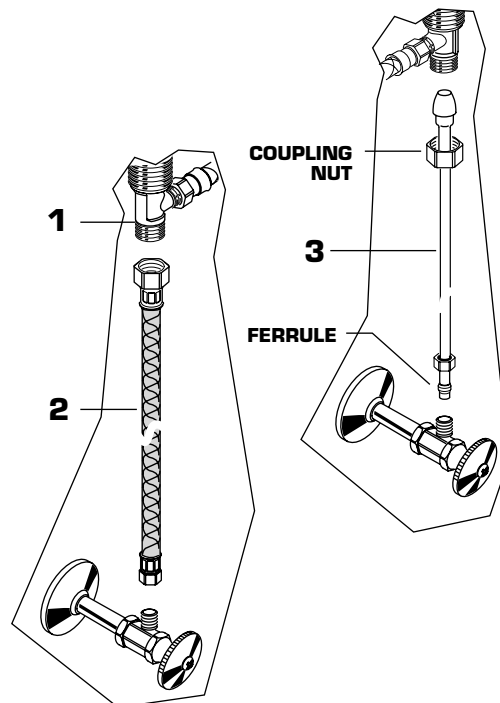


12

MAKE WATER SUPPLY AND WASTE CONNECTIONS

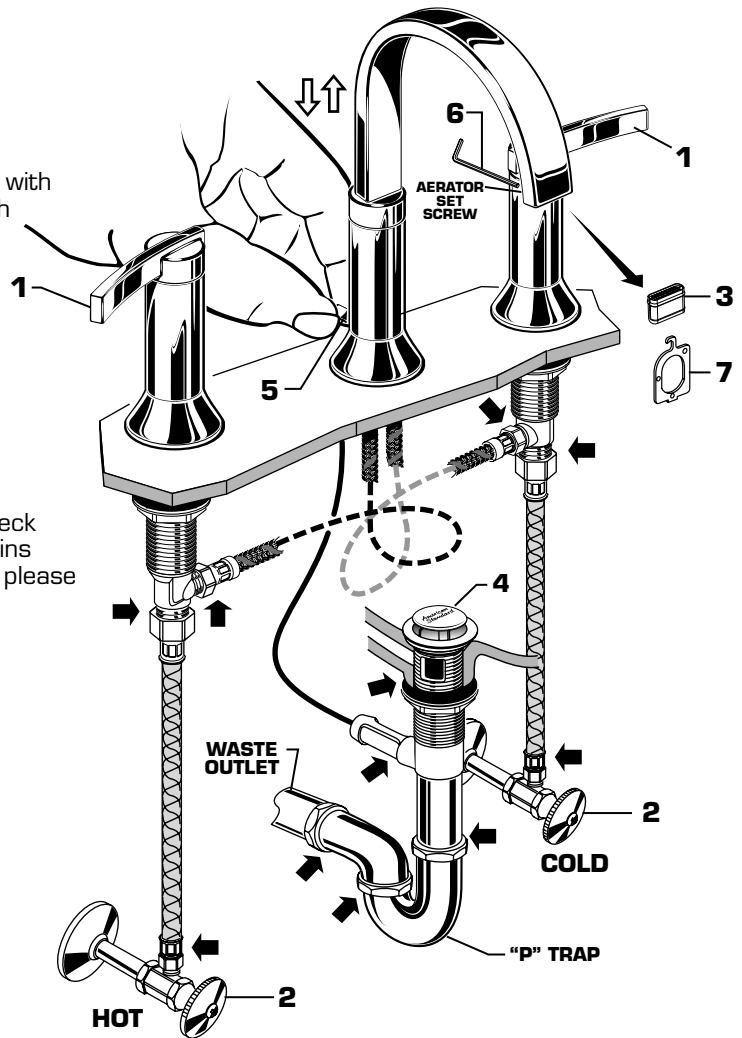
NOTE: FLEXIBLE SUPPLIES OR BULL-NOSE RISERS MUST BE PURCHASED SEPARATELY.

- Connect water supply to FAUCET (1) with 1/2" IPS FLEXIBLE SUPPLIES (2) or 3/8" O.D. BULL-NOSE RISERS (3). Use adjustable wrench to tighten connections.
- Do not over tighten. Be careful not to kink copper supply when bending. Use tubing cutter to cut to proper length.



13 TEST INSTALLED FITTING

- With HANDLES (1) in OFF position, turn on WATER SUPPLIES (2) and check all connections for leaks. ➡
- Remove AERATOR (3). First loosen aerator set screw with HEX WRENCH (6) supplied. Pull out AERATOR (3) with AERATOR KEY (7).
- Operate both HANDLES (1) to flush water lines thoroughly.
- Replace AERATOR (3) and tighten set screw.

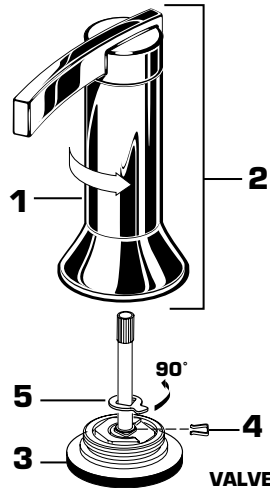


14 CHECK DRAIN CONNECTIONS

- Operate POP-UP KNOB (5) and fill Sink with water. Check that DRAIN STOPPER (4) makes a good seal and retains water in Sink. If STOPPER (4) does not seal properly, please refer to "Troubleshooting Guide" in these instructions.
- Release POP-UP KNOB (5) down and check all drain connections and "P" trap for leaks. ➡ Tighten if necessary.

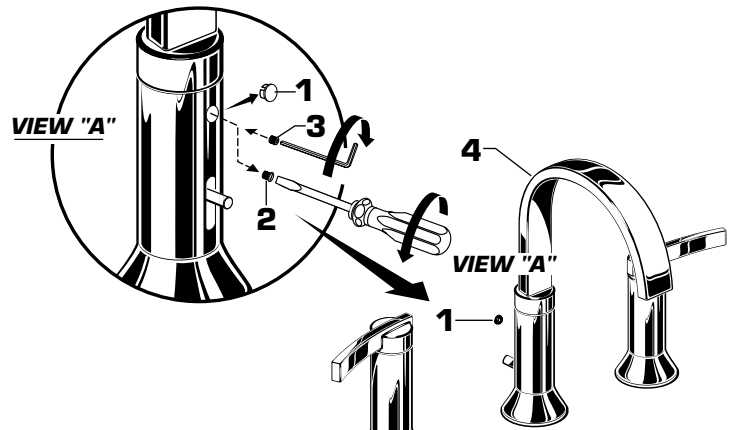
15 SERVICE

- To change direction of handle rotation, proceed as follows:
 - Turn valve to OFF position.
 - Thread counter-clock wise HANDLE BASE (1) to remove HANDLE ASSEMBLY (2) from ESCUTCHEON BASE (3).
 - Use a flat blade screw driver to remove SPRING CLIP (4).
 - Lift STOP WASHER (5), turn 90° and replace.
 - Replace SPRING CLIP (4).
 - Reinstall HANDLE ASSEMBLY (2).
- If spout drips, operate handles several times from OFF to ON position. Do not force - handles turn only 90°.



16 SPOUT CAN BE FIXED OR SWIVEL. CONVERT TO A FIXED SPOUT IF DESIRED.

- To change from swivel to fixed spout, proceed as follows:
 - Remove PLUG BUTTON (1) from back of spout. VIEW "A"
 - Remove SET SCREW (2) using screwdriver.
 - Install FIXING SET SCREW (3) using Hex Wrench supplied.
 - Align SPOUT (4) and tighten SET SCREW (3) to secure SPOUT (4).
 - Replace PLUG BUTTON (1).



17 CARE INSTRUCTIONS:

DO: SIMPLY RINSE THE PRODUCT CLEAN WITH CLEAR WATER. DRY WITH A SOFT COTTON FLANNEL CLOTH.

DO NOT: DO NOT CLEAN THE PRODUCT WITH SOAPS, ACID, POLISH, ABRASIVES, HARSH CLEANERS, OR A CLOTH WITH A COARSE SURFACE.

M968640 REV.1.1

Speed Connect™ Drain Troubleshooting Guide

If sink does not hold water even though Stopper is in the “down” position:

- Follow CABLE ADJUSTMENT PROCEDURE.

If Stopper does not raise up fully or sink drains too slowly:

- Follow CABLE ADJUSTMENT PROCEDURE.

If you need to remove the Stopper:

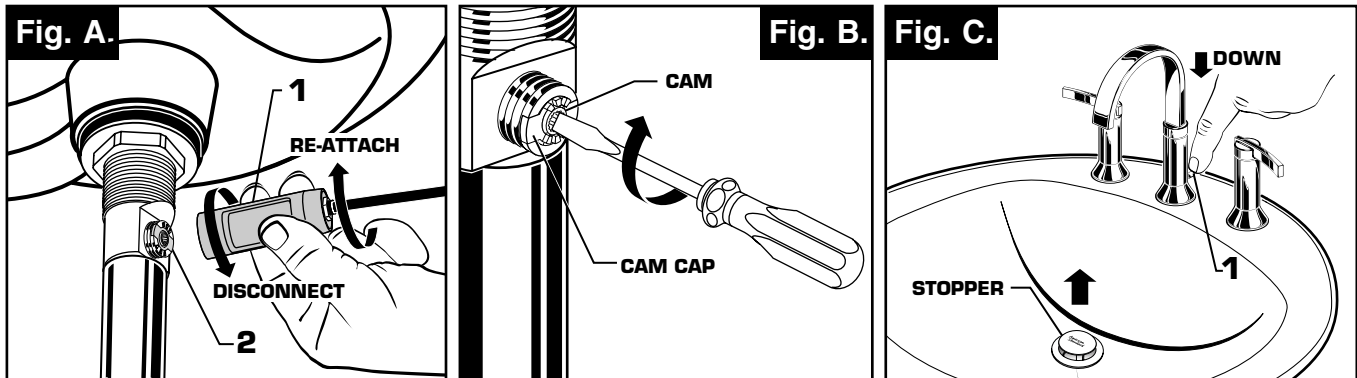
- Follow STOPPER REMOVAL PROCEDURE.

If you would like the ability to remove your Stopper simply by lifting it out of the drain:

- Follow STOPPER INSTALLATION PROCEDURE for “Unlocked” mode.

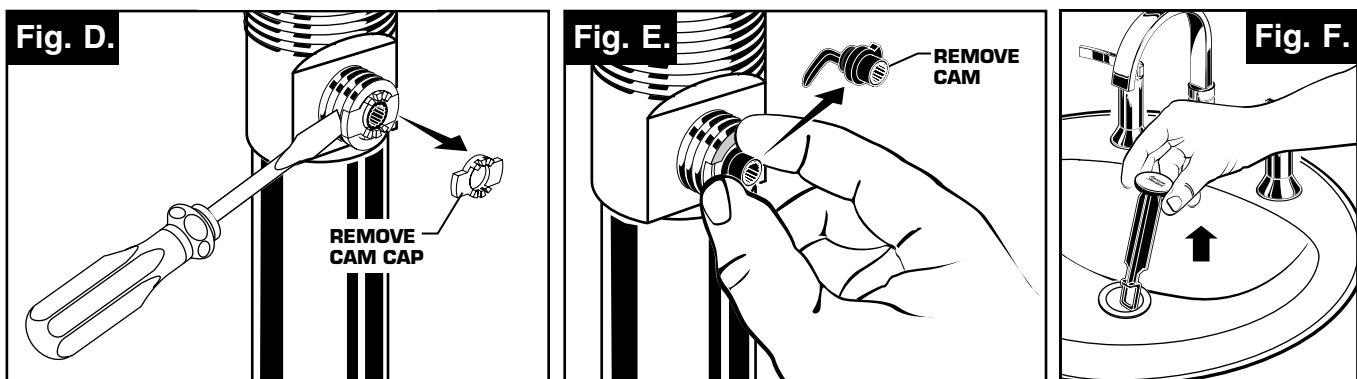
CABLE ADJUSTMENT PROCEDURE

- Disconnect the Cable from the Drain by threading the Cable Connector **(1)** counter-clockwise. **Fig. A.**
- Look at the area on the Drain Body where the Cable was attached and locate the component labeled as “Cam” in the illustration. **Fig. B.**
- Use a small screwdriver to rotate the Cam in the clockwise direction as far as it will go. At this point the Stopper should be in the UP position. **Fig. B, C.**
- Push **DOWN** on the Lift-Knob to make sure it is fully down. **Fig. C.**
- Re-attach the Cable to the Drain Body Connection **(2)** by threading the Cable Connector **(1)** clockwise onto the Drain Body Connection **(2)** and hand-tighten. **Fig. A.**



STOPPER REMOVAL PROCEDURE

- Disconnect the Cable from the Drain by threading the Cable Connector **(1)** counter-clockwise. **Fig. A.**
- Look at the area on the Drain Body where the Cable was attached and locate the component labeled as “Cam” and “Cam Cap” in the illustration. **Fig. B.**
- Use fingers or small screwdriver under either side of the Cam Cap to pry it out from the Drain. **Fig. D.**
- Remove the Cam by pulling it straight out while wiggling gently to loosen the Rubber Seal. **Fig. E.**
- The Stopper can now be removed by lifting it out of the Drain. **Fig. F.**

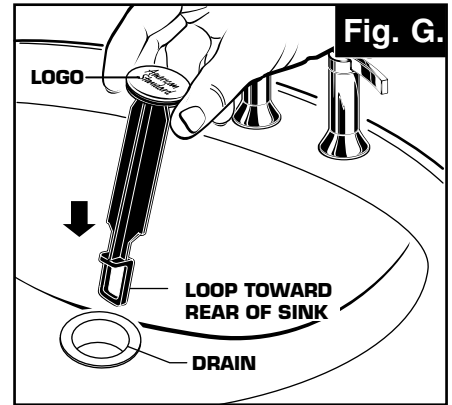


STOPPER INSTALLATION PROCEDURE

The Stopper can be installed two ways, “Locked” Mode (Stopper cannot be removed) or “Unlock” Mode (Stopper is removable).

Locked Mode:

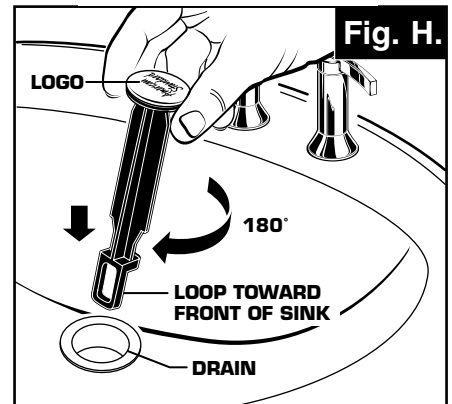
- Look at the Plastic Loop at the bottom of the Stopper and notice that the Loop is on one side of the Stopper. **Fig. G.**
- To install the stopper in “Locked” mode, insert the Stopper into the Drain so that the Plastic Loop is facing toward the **rear** of the Sink and the American Standard logo is facing **front**. Rotate Stopper slightly if necessary so that the Stopper slides all the way down. **Fig. G.**
- Re-install the Cam into the Drain, rotating the Cam if necessary to make sure it is fully inserted. **Fig. J.**
- Re-install the Cam Cap, making sure the guide teeth are facing outward. If the Cam Cap does not “snap” into place, then rotate the Cam to make sure it is fully inserted. **Fig. K.**
- Re-attach Cable. See “CABLE ADJUSTMENT PROCEDURE” in Troubleshooting Guide to complete installation. Stopper will be in “Locked” mode and not be removable.



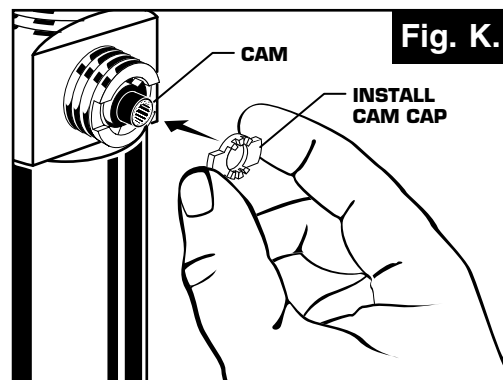
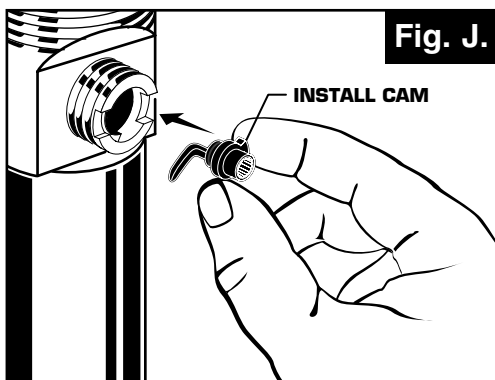
**Locked Mode
(Vandal Proof)**

Unlocked Mode:

- Look at the Plastic Loop at the bottom of the Stopper and notice that the Loop is on one side of the Stopper. **Fig. H.**
- To install the stopper in “Unlocked” mode, insert the Stopper into the Drain so that the Plastic Loop is facing toward the **front** of the Sink and the American Standard logo is facing **rear**. Rotate Stopper slightly if necessary so that the Stopper slides all the way down. **Fig. H.**
- Re-install the Cam into the Drain, rotating the Cam if necessary to make sure it is fully inserted. **Fig. J.**
- Re-install the Cam Cap, making sure the guide teeth are facing outward. If the Cam Cap does not “snap” into place, then rotate the Cam to make sure it is fully inserted. **Fig. K.**
- Re-attach Cable. See “CABLE ADJUSTMENT PROCEDURE” in “Troubleshooting Guide” to complete installation. Stopper will be in “Unlocked” mode and removable.



Unlocked Mode

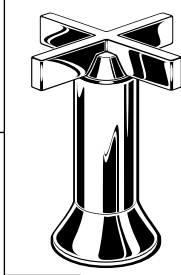


SPREAD LAVATORY FITTING

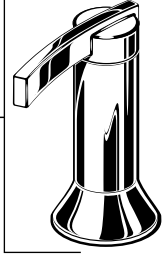
MODEL NUMBER

7430.801 / 7431.801
7430.821 / 7431.821

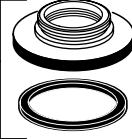
M962837-YYY0A
CROSS HANDLE
ASSEMBLY



M962831-YYY0A
LEFT LEVER
HANDLE ASSEMBLY



M962830-YYY0A
ESCUTCHEON KIT



918555-0070A
HANDLE SCREW



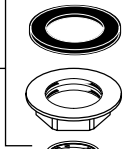
617852-0070A
HANDLE ADAPTER



994053-0070A
CARTRIDGE



M961634-0070A
VALVE
MOUNTING
KIT



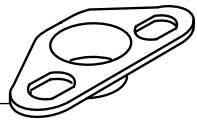
024220-0070A
COUPLING NUT



Replace the "YYY" with appropriate finish code

| | |
|--------------|-----|
| CHROME | 002 |
| SATIN NICKEL | 295 |

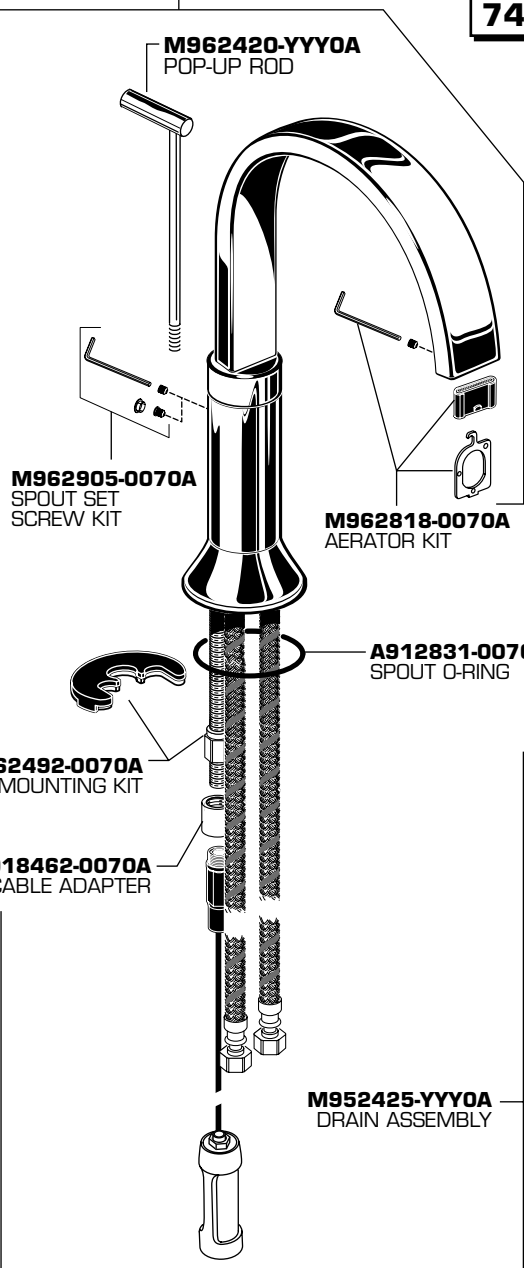
A923480-0070A
SPACER



M919660-0020A
6" TAILPIECE
(NOT INCLUDED
WITH FAUCET)



M962817-YYY0A
SPOUT KIT



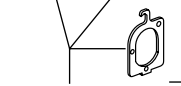
M962420-YYY0A
POP-UP ROD



M962905-0070A
SPOUT SET
SCREW KIT



M962818-0070A
AERATOR KIT



A912831-0070A
SPOUT O-RING



M962492-0070A
MOUNTING KIT



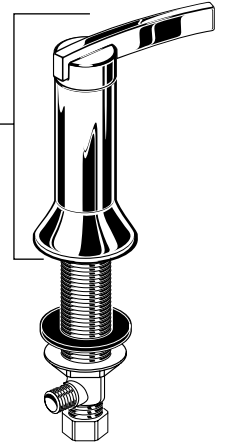
M918462-0070A
CABLE ADAPTER



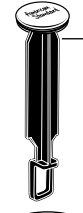
M952425-YYY0A
DRAIN ASSEMBLY



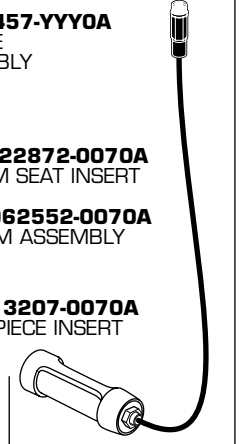
M962832-YYY0A
RIGHT LEVER
HANDLE ASSEMBLY



M962544-YYY0A
STOPPER
ASSEMBLY



M952430-0070A
CABLE ASSEMBLY



M962457-YYY0A
FLANGE
ASSEMBLY



M922872-0070A
CAM SEAT INSERT



M962552-0070A
CAM ASSEMBLY



M913207-0070A
TAILPIECE INSERT



A919661-0020A
TAILPIECE



M962458-0070A
DRAIN MOUNTING KIT



HOT LINE FOR HELP
For toll-free information and answers to your questions, call:
1 (800) 442-1902
Weekdays 8:00 a.m. to 6:00 p.m. EST
IN CANADA 1-800-387-0369 (TORONTO 1-905-306-1093)
Weekdays 8:00 a.m. to 7:00 p.m. EST
IN MEXICO 01-800-839-1200

Product names listed herein are trademarks of American Standard Inc.
© AS America, Inc. 2009