

**COLORADO RIGHT HEIGHT™  
FLUSHOMETER BOWL**

- Made in U.S.A.
- Floor mounted flushometer valve toilet
- Vitreous china
- High efficiency bowl operates using 1.1 gpf/4.0 Lpf to 1.6 gpf/6.0 Lpf dual function flush valve or 1.28 gpf/4.8 Lpf or 1.6 gpf/6.0 Lpf single function flush valves
- 10" or 12" roughing-in
- 17" rim height for accessible application
- Elongated bowl
- Powerful direct-fed siphon jet action
- Fully glazed 2" trapway
- 9" x 8" water surface area
- 1-1/2" top spud
- 2 bolt caps

**3541.001US** Elongated bowl only, top spud

**Nominal Dimensions at 12" Rough:**

764 x 381 x 438mm  
(30-1/16" x 15" x 17-1/4")

Recommended working pressure—between  
25 psi at valve when flushing and 80 psi static

Fixture only, less seat and flushometer valve

**Compliance Certifications -**

**Meets or Exceeds the Following Specifications:**

- ASME A112.19.2 for Vitreous China Fixtures
- CAN/CSA International B45
- Buy American/ARRA Compliant



SEE REVERSE FOR ROUGHING-IN DIMENSIONS

**To Be Specified:**

- Color:  White
- Seat:
  - American Standard #5901.100 heavy duty open front less cover
  - American Standard #5905.100 extra heavy duty open front less cover
- Flushometer Valve:
  - American Standard Selectronic™ #6065.121.002  
DC Power (Top Spud) #6025.121.002  
or
  - American Standard Selectronic™ #6065.221.007  
DC Power (Back Spud) #6025.221.007  
or
  - American Standard Selectronic™ #6067.221.007  
AC Power (Back Spud) #6027.221.007  
or
  - American Standard Selectronic™ #6068.221.007  
Multi AC Power (Back Spud) #6068.221.007

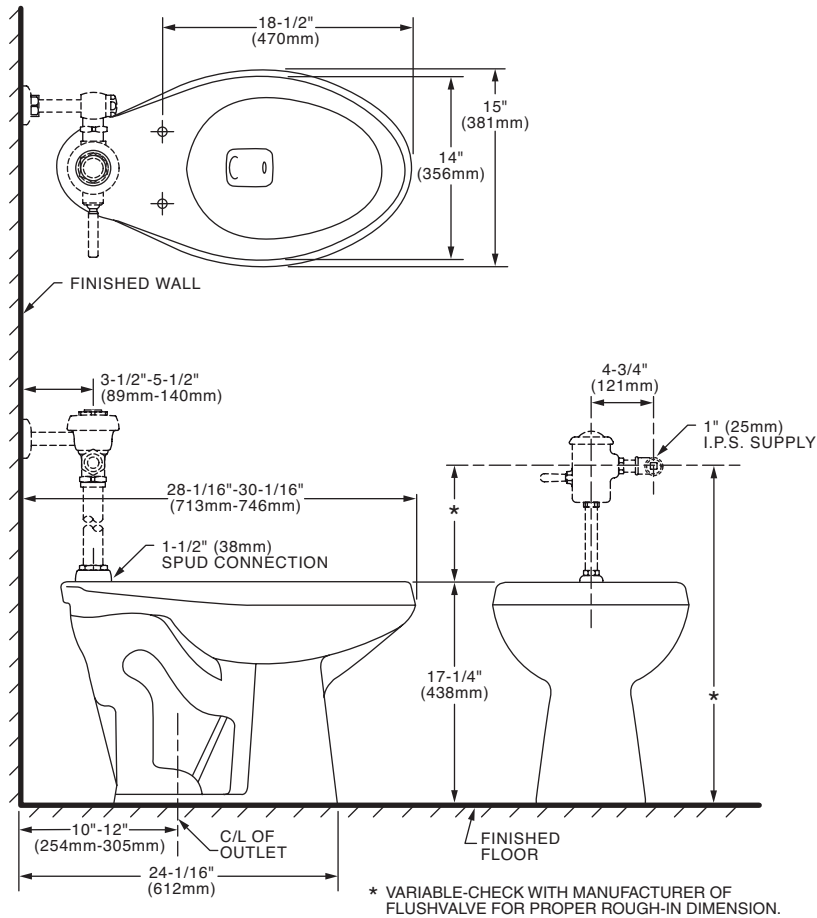


MEETS THE AMERICANS WITH DISABILITIES ACT GUIDELINES  
AND ANSI A117.1 REQUIREMENTS FOR ACCESSIBLE AND USABLE  
BUILDING FACILITIES - CHECK LOCAL CODES.



Buy American/ARRA Compliant

**3541.001US**



**NOTES:**

TO COMPLY WITH AREA CODE GOVERNING THE HEIGHT OF VACUUM BREAKER ON THE FLUSHOMETER VALVE, THE PLUMBER MUST VERIFY DIMENSIONS SHOWN FOR SUPPLY ROUGHING. THIS TOILET DESIGNED TO ROUGH-IN AT A MINIMUM DIMENSION OF 254MM (10") AND A MAXIMUM DIMENSION OF 305MM (12") FROM FINISHED WALL TO C/L OF OUTLET. FLUSHOMETER VALVE NOT INCLUDED WITH FIXTURE AND MUST BE ORDERED SEPARATELY. FLUSHOMETER VALVE REQUIREMENTS FOR 12" (305MM) ROUGH-IN: SWEAT EXTENSION NIPPLE IS REQUIRED. REFER TO VALVE MANUFACTURER AND LOCAL CODES.

**IMPORTANT:** Dimensions of fixtures are nominal and may vary within the range of tolerances established by ANSI Standard A112.19.2. These measurements are subject to change or cancellation. No responsibility is assumed for use of superseded or voided pages.