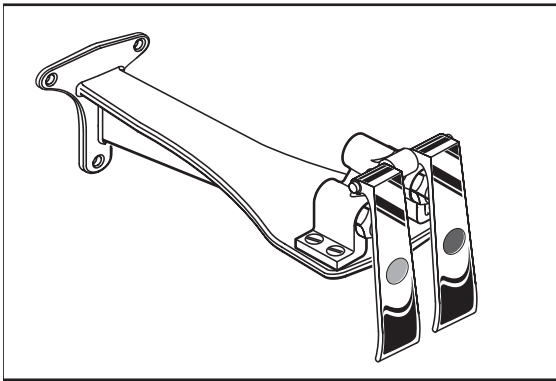


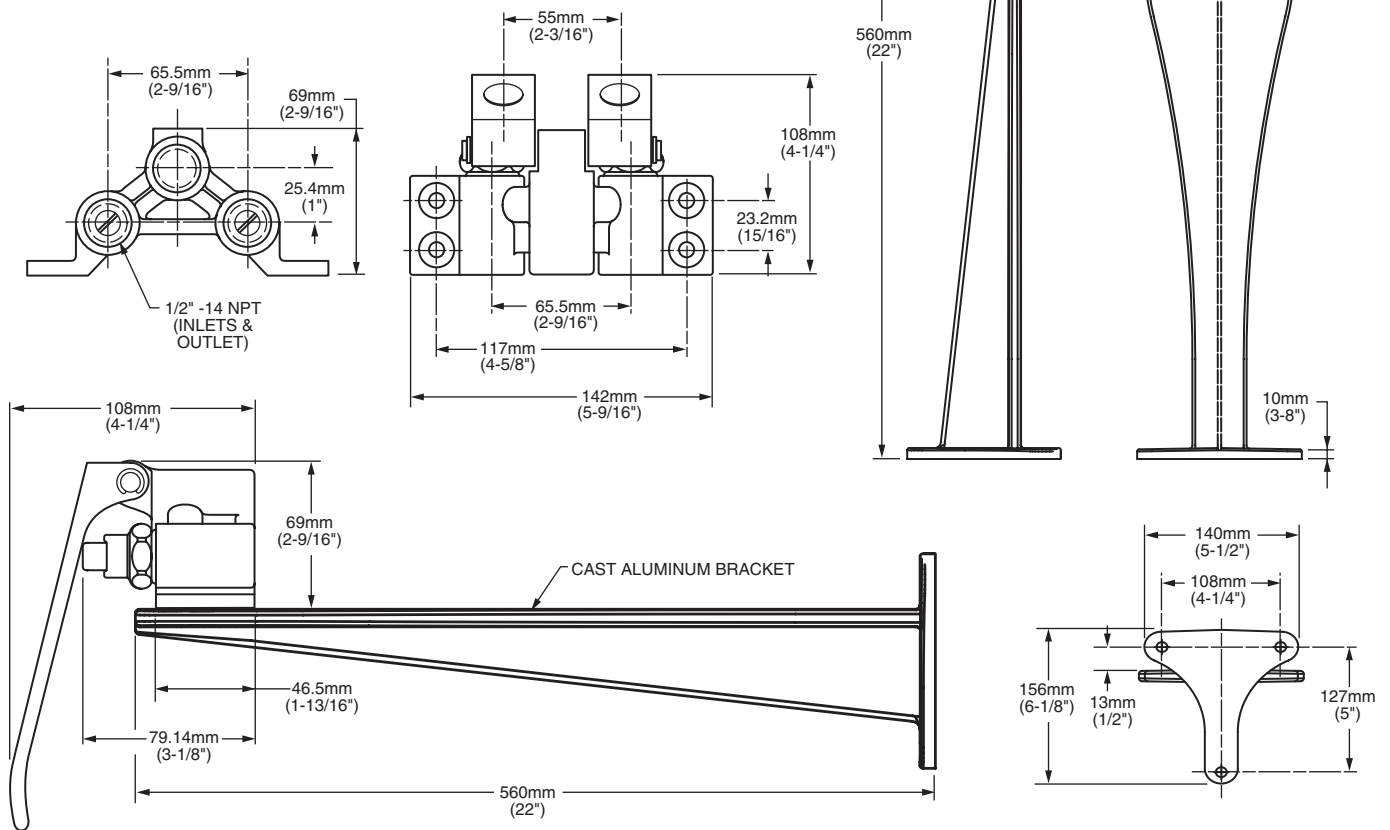
## SELF-CLOSING DOUBLE KNEE-ACTION VALVE WITH WALL-MOUNTED BRACKET



### MODEL NUMBER:

#### 7676.129 Self-Closing Double Knee-Action Valve

With wall-mounted cast aluminum bracket. Chrome-plated knee levers with Red (Hot) and Blue (Cold) indexing.



### GENERAL DESCRIPTION:

Cast brass valve body with self-closing double knee-action valves for use with wall-mounted cast aluminum bracket. Chrome-plated knee levers with red (hot) / blue (cold) indexing. 1/2" female NPT inlets to back on 2-9/16" (65.5mm) centers. 1/2" female NPT outlet to rear.

### PRODUCT FEATURES:

**Brass Construction:** Durable - Excellent in high use applications.

**Knee-Action Mixing:** Water supply controlled by self-closing chrome-plated brass knee levers marked with red (hot) and blue (cold) indexing.

**Polished Chrome Finish:** Excellent in commercial applications.

### SUGGESTED SPECIFICATION:

Wall-mounted double knee-action valve shall feature cast brass valve body, cast aluminum bracket, brass chrome-plated hot and cold knee levers with red/blue indexing. Individual brass valves shall be self-closing. Fitting shall be American Standard Model Model #7676.129.