

**MODEL NUMBER:**

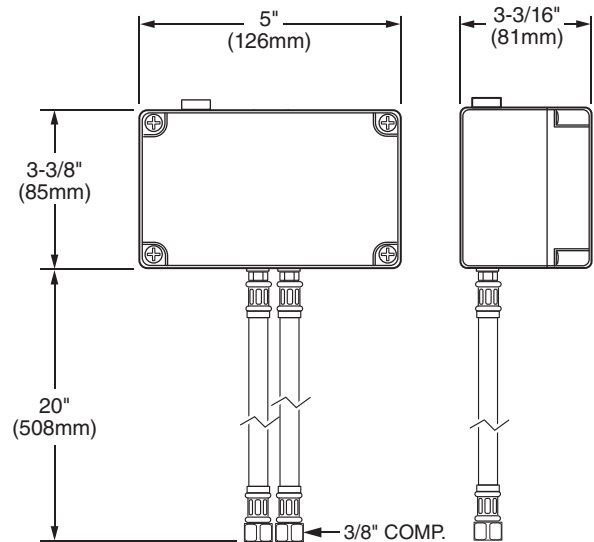
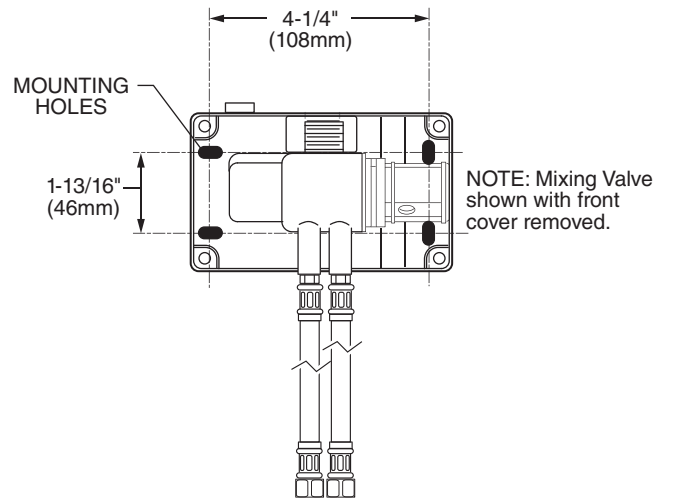
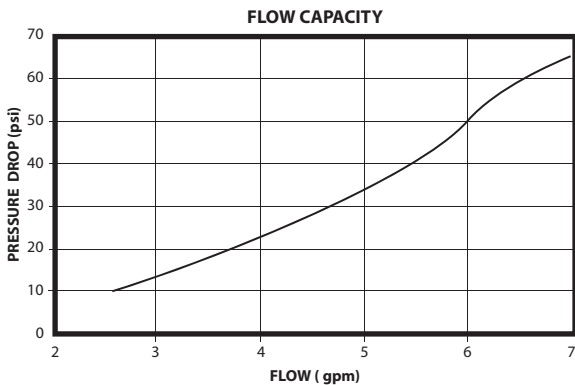
- ❑ **605XTMV1070** Recommended to be used with Selectronic™ and Metering faucets. Lead Free to comply with AB 1953.

**GENERAL DESCRIPTION:**

Below deck thermostatic water mixing valve to be used with Selectronic™ & Metering faucets. ASSE 1070 compliant. Adjustable temperature by using a 4mm Hex Wrench. To decrease temperature, rotate clockwise. To increase temperature, rotate counter-clockwise.

**PRODUCT FEATURES:**

- Anti-scald protection
- Built-in check valves prevent cross-flow
- 3/8" Stainless steel compression flex hoses, 20" length included
- Lead Free: Valve contains ≤ 0.25% total lead content by weighted average.
- ASSE 1070 compliant down to 0.35 gpm
- NSF 61/Section 9



**RECOMMENDED SPECIFICATION**

The Mixing Valve shall be of thermostatic type with built-in check valves to prevent cross-flow. ASSE 1070 compliant. Includes 20" long S.S. flex hoses with 3/8" compression fittings. Fitting shall be American Standard Model # 605XTMV1070.

*American Standard*

Style That Works Better

---