



GENERAL DESCRIPTION:

Complete personal shower system includes: a Colony pressure balance valve, a wall supply with 1/2" NPT female inlet and 1/2" NPSM male outlet; a 59" (1500mm) shower hose; a single function personal shower; and a 25" Slide Bar. Valve features a cast brass body, washerless ceramic disc valve cartridge with back-to-back capability and hot limit safety stop. Cycles from off to hot through cold. Exclusive Colony pressure balancing cartridge maintains constant output temperature in response to changes in relative hot and cold supply pressure. One-half inch direct sweat inlets and outlets. With screwdriver stops. Durable metal handle provides easy, certain control for all users. Rough-in plaster guard designed for use as thin-wall mounting adaptor. Single function handshower with 2.5 gpm/9.5L/min. (1662.601 kit) or 1.5 gpm/5.7L/min. (1662.601F15 kit) flow restrictor. Slide bar features an adjustable shower holder which can be set at any height or position along the bar and angle up to 45°.

PRODUCT FEATURES:

VALVE: Cast Brass Valve Body: Durable.

Ceramic Disc Valve Cartridge: Assures a lifetime of drip-free performance.

Colony Pressure Balancing Valve Cartridge: Maintains constant output temperature in response to changes in hot and cold supply pressure.

Back-to-Back Capability: Hot and cold can be reversed quickly and easily.

Adjustable Hot Limit Safety Stop: Limits the amount of hot water allowed to mix with cold. Reduces the risk of accidental scalding.

Integral Plaster Guard and Mounting Plate: Protects valve during installation and serves as a mounting plate for thin-wall installations.

PERSONAL SHOWER:

Lightweight, Ergonomic Design: For a sure grip even with wet, soapy hands.

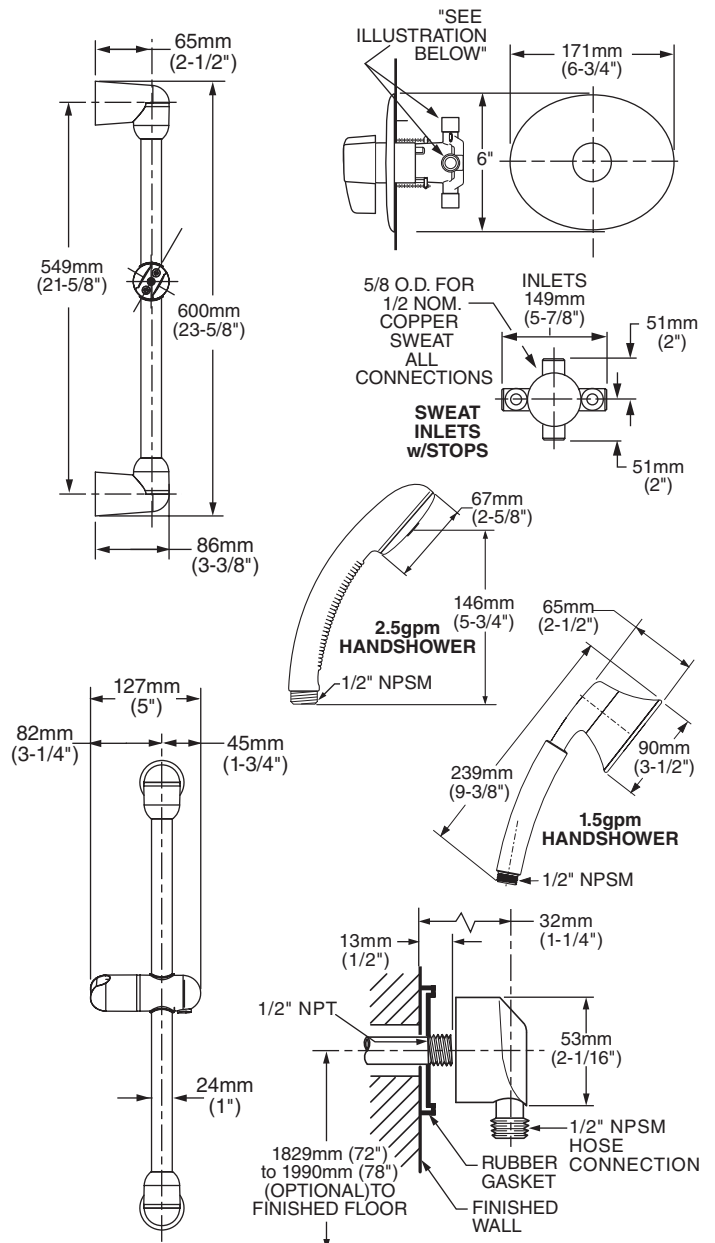
SLIDE BAR: Simple Height Adjustment: Allows positioning of the personal shower anywhere along the bar.

MODEL NUMBER:

1662.601 Shower System Kit

Includes:

• Colony Valve Only Trim Kit	T371.240
• Rough Pressure Balance Valve w/stops	R110SS
• Fixed Handshower	1660.505
• Hose	8888.035
• Wall Supply	8888.037
• Standard Slide Bar	1660.225
• In-line Vacuum Breaker	1660.400



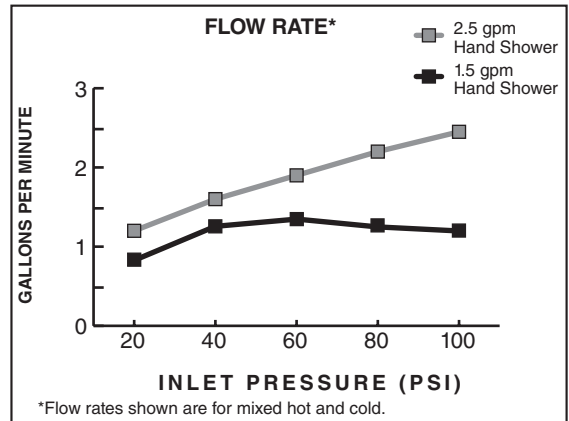
SUGGESTED SPECIFICATION:

Shower system shall feature a wall supply with 1/2" NPT female inlets, 1/2" NPSM male outlet, 59" hose, personal shower and a 25" Standard Slide Bar. Pressure Balance valve shall feature a cast brass body. Shall feature ceramic disc valve cartridge which is capable of back-to-back installation. Shall also feature hot limit safety stop. Fitting shall be American Standard Model # 1662.601.002.


CODES AND STANDARDS


Install as required to comply with local code requirements.

- ASME A112.18.1
- ASSE 1016
- ANSI A117.1



Product Number	Description	Finish
		Polished Chrome
1662.601	Shower System Kit. Contains pressure balance valve, "Fixed" handshower (2.5 gpm), hose, wall supply and slide bar.	002

Available Modification	Part Number
 FloWise® Single Function Hand Shower (1.5 gpm)	1662.601F15

 Meets the American Disabilities Act Guidelines and **ANSI A117.1** Requirements for the physically challenged.