

# MONTROSE II – BUILDERS' CHOICE

inches (mm)

72 x 36 x 21 ¾ (1830 x 915 x 550) • Fax on Demand #5039

SOAKER MODEL #4272620

WHIRLPOOL MODEL #4272621



## AQUATIC ADVANTAGE

- National distribution
- 5 manufacturing facilities
- Private fleet
- Centralized customer service
- Field support
- 24-hour fax-on-demand

## COLOR & TRIM OPTIONS

### Stock

- Almond (C)
- Bone (C)
- Linen/Biscuit (C)
- Sterling Silver (C)
- White (C)

C = Color Matched Trim

## FEATURES

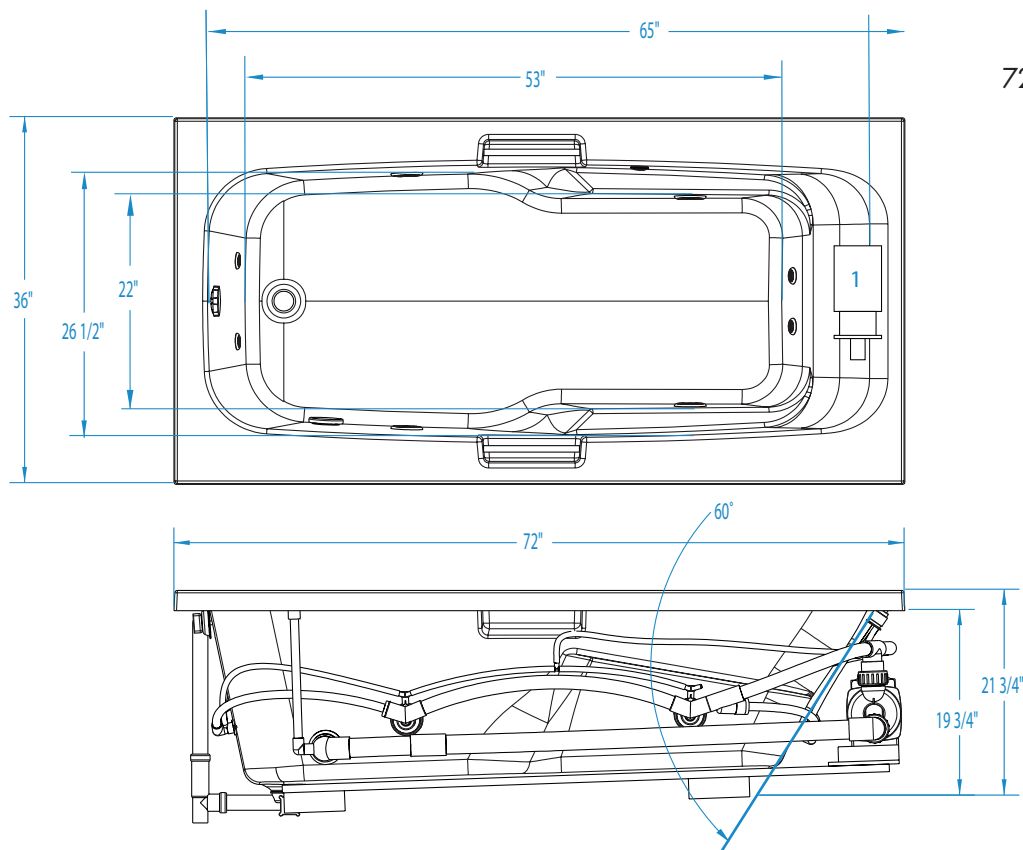
- 8 hydrotherapy jets
- .75 hp pump
- Advanced safety suction system
- Bath-side on/off button
- Acrylic grab bars
- Sculpted armrests
- Slip-resistant floor
- Universal drain
- Lucite cast acrylic surface
- Limited 10-year warranty

## OPTIONS

- Comfort pillow: Biscuit, Black, White
- 1.5kW inline maintenance heater
- Grab bar(s): Chrome, Oil Rubbed Bronze, Polished Brass, Brushed Nickel, Color matched (Biscuit, White, Acrylic)
- Cable drive waste & overflow: Chrome, Oil Rubbed Bronze, Polished Brass, Brushed Nickel, Color Matched (Biscuit, Bone, White)
- Lift & turn waste & overflow: Chrome, Oil Rubbed Bronze, Polished Brass, Brushed Nickel
- Tile flange
- Acrylic skirt: Color Matched



# MONTROSE II

 72 x 36 x 21 3/4 (1830 x 915 x 550)  
 inches (mm)

**FEATURES** lbs (kg)      Dimensional Tolerance ± 3/8". Dimensions needed for site preparation should be measured from the unit. Aquatic assumes no responsibility for preparatory work.

Type and Model #	Material	Jets	Pump	Heater	Controls	Drain	Pkg. Wt.
Soaker #4272620	Acrylic	0	-	-	-	Universal	122 (55)
Whirlpool #4272621	Acrylic	8	0.75 HP	1.5kW inline (optional)	Pneumatic	Universal	172 (78)

**DIMENSIONS** inches (mm)

Width Overall / Net	Depth Overall / Net	Height Overall / Net	Skirt Height
72 (1830)	36 (915)	19 3/4 (500)	-

**SUMP DATA** inches (mm)

Capacity to Overflow gal (ltr)	Min. Operating Capacity gal (ltr)	WIDTH @ centerline		DEPTH @ centerline	
		Top	Bottom	Top	Bottom
80 (303)	60 (227)	65 (1650)	53 (1345)	26 1/2 (675)	22 (560)

**PLUMBING DIMENSIONS** inches (mm)

A	Drain to Overflow	Drain Diameter / Clearance
3 (75)	16 (405)	2 (50) / 1 3/4 (45)

**ELECTRICAL DATA**

Component	Specification	Requirement
Pump	.75 HP; 5 AMP; 120 V	15 AMP; 120V, separate circuit; Class A GFCI

**NOTES:**

1) Where applicable, utilize cut-out templates packed with unit for deck cutouts.

2) 16 x 20 (405 x 510) minimum access required at pump/blower location(s).