

2603BSTCWP – EVERYDAY TUB/SHOWERS

inches (mm)

60 x 36 ¼ 42 x 77 ¼ (1525 x 920-1065 x 1960) • Fax on Demand #1245

SOAKER MODEL #2603BSTC

WHIRLPOOL MODEL #2603BSTCWP



FEATURES

- Tub-shower
- Smooth tile finish
- Integral bowed skirt
- Ergonomic backrest
- Installed acrylic grab bar
- Molded toiletry shelves
- Slip-resistant textured bottom
- Center rear drain
- Gelcoat surface
- 5-year limited warranty

Whirlpool Features:

- .75 HP motor
- 4 adjust-a-flow whirlpool jets
- Color matched or clear trim
- Pneumatic on/off control
- Advanced safety suction system

OPTIONS

- In-line heater (whirlpool models)
- Mood light (whirlpool models)
- Designer drain, waste & overflow

AQUATIC ADVANTAGE

- National distribution
- 5 manufacturing facilities
- Private fleet
- Centralized customer service
- Field support
- 24-hour fax-on-demand

COLOR & TRIM OPTIONS

Stock	Premium
Almond (C)	Black (C)
Biscuit (C)	Mexican Sand* (NA)
Bone (C)	Sand Bar* (NA)
Linen (C)	
Sterling Silver (C)	
White (C)	

C = color matched trim

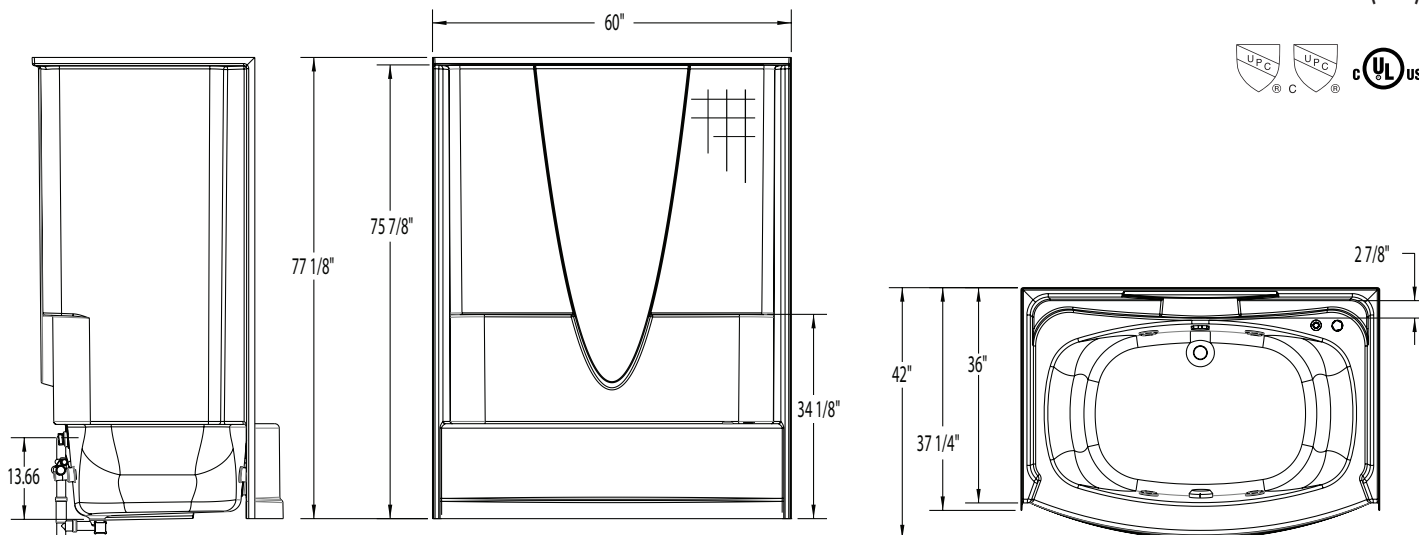
NA = not applicable

* color not available for whirlpool models



2603BSTCWP

60 x 36 1/4 - 42 x 77 1/4 (1525 x 920-1065 x 1960)
inches (mm)



FEATURES lbs (kg) Dimensional Tolerance $\pm 3/8"$. Dimensions needed for site preparation should be measured from the unit. Aquatic assumes no responsibility for preparatory work.

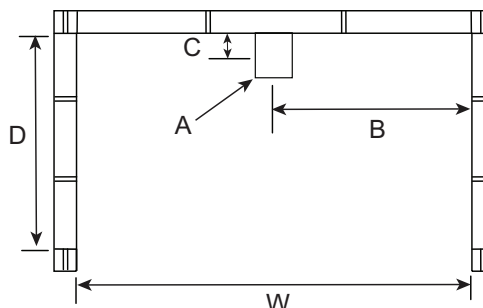
Model #	Material	Wall Finish	Jets	Motor	Controls	Drain	Net Wt.	Pkg. Wt.
Soaker #2603BSTC	Gelcoat	Smooth Tile	-	-	-	Center	149 (67)	154 (69)
Whirlpool #2603BSTCWP	Gelcoat	Smooth Tile	4	0.75 HP	Pneumatic	Center	199 (90)	204 (92)

DIMENSIONS

Specifications	inches (mm)
Width: Overall / Net	60 (1525)
Depth: Overall / Net	36 1/4 - 42 (920 - 1065)
Height: Overall / Net	78 1/2 (1995) / 77 1/4 (1960)
Enclosure Opening	56 (1420)
Skirt Height	17 (430)
Drain Rough-In (from Back Wall)	4 7/8 (125)
Drain Rough-In (from Side Wall)	30 (760)
Drain: Diameter / Clearance	2 (50) / 1 (25)

FRAMING DIMENSIONS inches (mm)

Type	D Depth	W Width	H Height	A	B	C
Alcove	37 1/4 (945)	60 1/8 (1525)	-	Box Out	30 (760)	4 7/8 (125)



SUMP DATA

Top of Drain to Bottom of Overflow	Capacity to Overflow gal (ltr)	Min. Operating Capacity gal (ltr)	WIDTH @ centerline		DEPTH @ centerline	
			Top	Bottom	Top	Bottom
12 1/2 (320)	52 1/2 (200)	44 (166)	51 (1295)	38 15/16 (990)	29 7/8 (760)	27 1/2 (700)