

# SERENITY 11 – SERENITY SERIES

inches (mm)

71 3/4 x 39 3/8 x 27 (1820 x 1000 x 685) • Fax on Demand #1190

SOAKER MODEL #A111AIR7240PTO

AIR BATH MODEL #A111AIR7240P



Note: This model requires a remote blower location. Please refer to the owners manual for detailed installation instructions.

## FEATURES (ALL MODELS)

- Freestanding bath
- Deep bathing well
- Pedestal, interior and exterior can be different colors
- Slip-resistant floor
- Universal drain
- Lucite cast acrylic surface
- Limited lifetime warranty

## OPTIONS

- Comfort pillow:  
Biscuit, Black, White
- Freestanding waste & overflow:  
Chrome, Oil Rubbed Bronze,  
Polished Brass, Brushed Nickel,  
White

## AQUATIC ADVANTAGE

- National distribution
- 6 manufacturing facilities
- Private fleet
- Centralized customer service
- Field support
- 24-hour fax-on-demand

## COLOR & TRIM OPTIONS

Stock	Premium
Almond	Black
Bone	Cashmere
Biscuit	Mexican Sand
Sterling Silver	Red
White	Sandbar

## AVAILABLE SYSTEMS

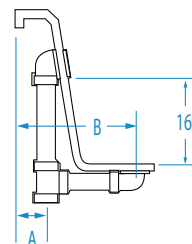
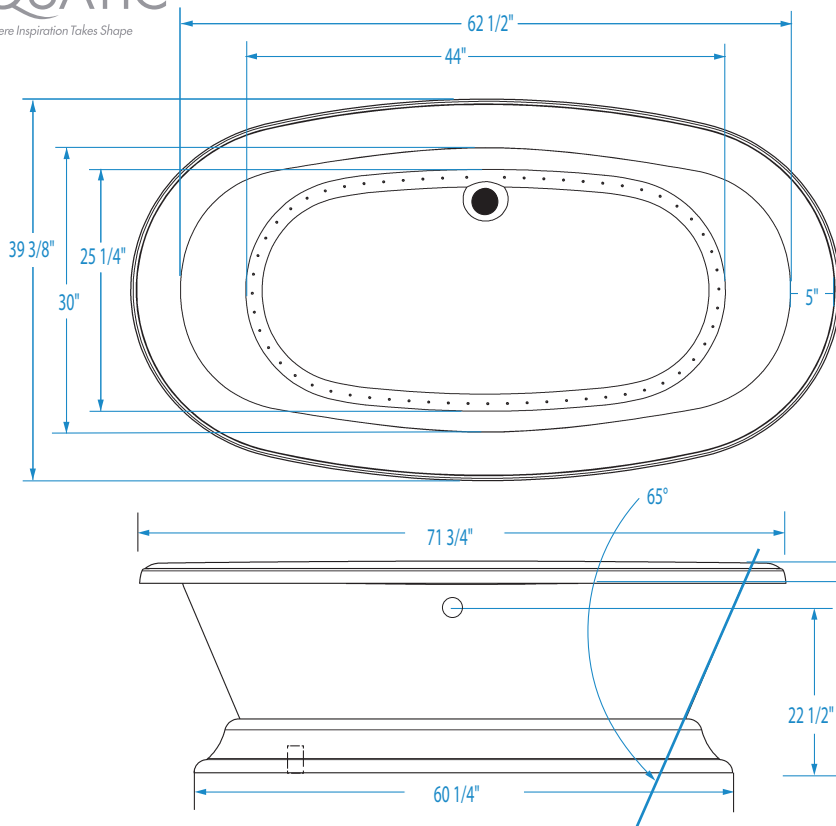
### AIR BATH

- Variable speed blower with 20-minute timer
- Air heating system
- Electronic controls with wave and pulse features
- Air channels lined with antimicrobial coating
- Automatic purge and dry cycle with water sensors

Note: The interior of bathing well and outside of bathing well can each be specified in a different color.



# SERENITY 11

 71 3/4 x 39 3/8 x 27 (1820 x 1000 x 685)  
 inches (mm)

**FEATURES** lbs (kg) Dimensional Tolerance  $\pm 3/8"$ . Dimensions needed for site preparation should be measured from the unit. Aquatic assumes no responsibility for preparatory work.

Type and Model #	Material	System	Powered By	Heater	Controls	Drain	Pkg. Wt.
Soaker #A111AIR7240PTO	Acrylic	-	-	-	-	Universal	519 (235)
Air Bath #A111AIR7240P	Acrylic	Channel	Variable speed blower	Inline	Electronic	Universal	549 (249)

**DIMENSIONS** inches (mm)

Width Overall / Net	Depth Overall / Net	Height Overall / Net	Skirt Height
71 3/4 (1820)	39 3/8 (1000)	27 (685)	-

**SUMP DATA** inches (mm)

Capacity to Overflow gal (ltr)	Min. Operating Capacity gal (ltr)	WIDTH @ centerline		DEPTH @ centerline	
		Top	Bottom	Top	Bottom
76 (288)	-	62 1/2 (1585)	44 (1115)	30 (760)	25 1/4 (640)

**PLUMBING DIMENSIONS** inches (mm)

A	B	Drain Diameter / Clearance
4 3/4 (120)	12 1/8 (310)	2 (50) / 4 5/8 (115)

**ELECTRICAL DATA**

Component	Specification	Requirement
Heated Blower (Air Bath)	10.5 AMP; 120 V	15 AMP; 120V, separate circuit; Class A GFCI

**NOTES:**

1) Where applicable, utilize cut-out templates packed with unit for deck cutouts.

2) 16 x 20 (405 x 510) minimum access required at pump/blower location(s).

Each Serenity air bath is equipped with an air heating system to raise the temperature of the air entering the bath. This air temperature will be lower than the bathing temperature of the water, but will help reduce rapid decrease in water temperature. In addition, the air coming from the air jets will feel cool against the skin. This system does not heat the water.