

# SERENITY 32 MOTIF – SERENITY SERIES

inches (mm)

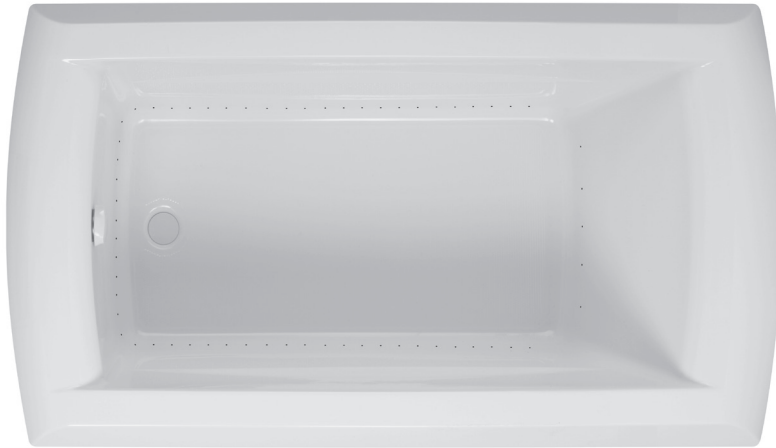
60 ½ x 36 ½ x 25 (1535 x 930 x 635) • Fax on Demand #1303

SOAKER MODEL #AI32AIR6036TO

AIR BATH MODEL #AI32AIR6036

HOTSOAK MODEL #AI32AIR6036HS

DRIFTBATH MODEL #AI32AIR6036DB



## FEATURES

- Deep bathing well
- Slip-resistant floor
- Modern styling
- Pre-leveled ABS support base
- Universal drain
- Lucite cast acrylic surface
- Limited lifetime warranty

## OPTIONS

- Studio Lights Package: 4 high-intensity LEDs, contemporary keypad (air baths)
- Comfort pillow: Biscuit, Black, White
- Bolt-on grab bar(s): Chrome, Oil-Rubbed Bronze, Polished Brass, Brushed Nickel, Color Matched (Biscuit, White)
- Cable drive waste & overflow: Chrome, Oil Rubbed Bronze, Polished Brass, Brushed Nickel, Color Matched (Biscuit, Bone, White)
- Optional blower/pump location
- Remote control kit
- Remote blower wiring kit

## COLOR & TRIM OPTIONS

Stock	Premium
Almond	Black
Bone	Cashmere
Linen/Biscuit	Mexican Sand
Sterling Silver	Red
White	Sandbar

DriftBath available in White and Biscuit only.

## AQUATIC ADVANTAGE

- National distribution
- 5 manufacturing facilities
- Private fleet
- Centralized customer service
- Field support
- 24-hour fax-on-demand

## AVAILABLE SYSTEMS

### AIR BATH

- Variable speed blower with 20-minute timer
- Air heating system
- Electronic controls with wave and pulse features
- Air channels lined with antimicrobial coating
- Automatic purge and dry cycle with water sensors
- LED chromotherapy lights (4)

### HOTSOAK

- 1.5kW inline maintenance heater
- Quiet, run-dry safe pump
- Low-profile circulation portals
- One-touch electronic on/off control
- Quiet pad anti-vibration pump mount

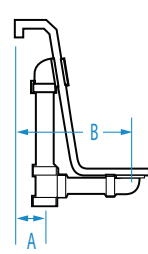
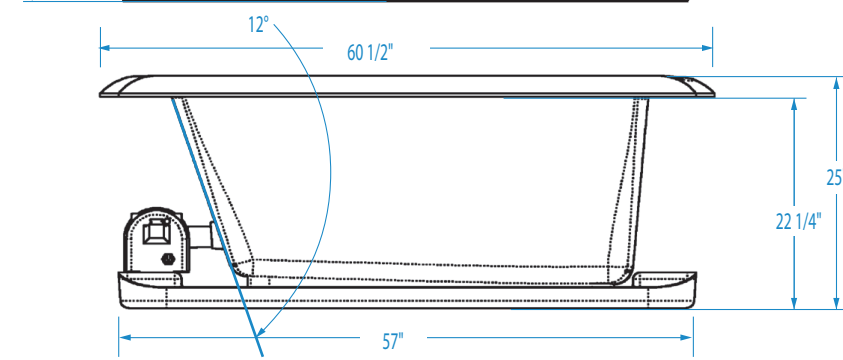
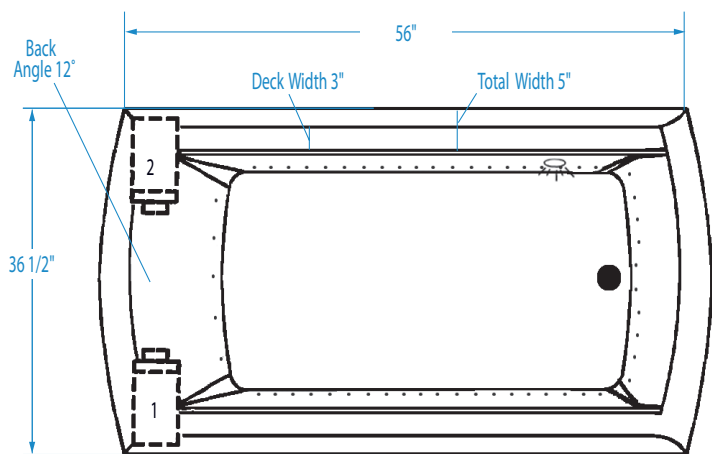
### DRIFTBATH

- Quiet, self-heating integrated pump/motor unit
- Dozens of low-profile, water-only portals
- Electronic control with 20-minute timer
- High-intensity LED chromotherapy lights (4)
- Advanced Safety Suction System



# SERENITY 32 MOTIF

60 1/2 x 36 1/2 x 25 (1535 x 930 x 635)  
inches (mm)



**FEATURES** lbs (kg) Dimensional Tolerance ± 3/8". Dimensions needed for site preparation should be measured from the unit. Aquatic assumes no responsibility for preparatory work.

Type and Model #	Material	System	Powered By	Heater	Controls	Drain	Pkg. Wt.
Soaker #AI32AIR6036TO	Acrylic	-	-	-	-	Universal	142 (64)
HotSoak #AI32AIR6036HS	Acrylic	Water circulation	Pump	1.5 kW Inline maintenance	Electronic on/off	Universal	172 (78)
Air Bath #AI32AIR6036	Acrylic	Air Bath	Variable speed blower	Integrated	Electronic variable	Universal	172 (78)
DriftBath #AI32AIR6036DB	Acrylic	Water circulation	Pump	Integrated	Electronic on/off	Universal	183 (83)

## DIMENSIONS inches (mm)

Width Overall / Net	Depth Overall / Net	Height Overall / Net	Skirt Height
60 1/2 (1535)	36 1/2 (930)	25 (635)	-

## SUMP DATA inches (mm)

Capacity to Overflow gal (litr)	Min. Operating Capacity gal (litr)
74 (280)	-

## PLUMBING DIMENSIONS inches (mm)

A	B
6 (150)	14 (355)

## ELECTRICAL DATA

Component	Specification	Requirement
Blower/Heater (Air Bath)	10.5 AMP; 120 V	15 AMP; 120V, separate circuit; Class A GFCI
Pump (HotSoak)	1/15 HP; 1.3 AMP; 110 V	20 AMP; 110 V, separate circuit; Class A GFCI
Heater (HotSoak)	1.5 kW; 12.5 AMP; 110 V	
Pump (DriftBath)	3/4 HP; 8.8 AMP; 110 V	15 AMP; 120V, separate circuit; Class A GFCI

### NOTES:

1) Where applicable, utilize cut-out templates packed with unit for deck cutouts.

2) 16 x 20 (405 x 510) minimum access required at pump/blower location(s).

Each Serenity air bath is equipped with an air heating system to raise the temperature of the air entering the bath. This air temperature will be lower than the bathing temperature of the water, but will help reduce rapid decrease in water temperature. In addition, the air coming from the air jets will feel cool against the skin. This system does not heat the water.