

6032ITS – ACCESSIBLE TUB-SHOWERS

inches (mm)

Interior: 60 x 32 x 80 ½ (1525 x 815 x 2045)

Exterior: 65 x 33 x 84 (1650 x 840 x 2135)

Fax on Demand #6023



FEATURES

- East zone only
- Acrylic surface
- 17" (430 mm) skirt
- Smooth wall
- LH or RH drain
- Integral dome
- 5-year limited warranty

OPTIONS

- Grab bars
- Removable seat
- Hand-held shower assembly with slide bar
- Pressure balancing mixing valve
- Curtain rod and/or shower curtain

CODE COMPLIANCE

- ADA
- FHA
- ICC/ANSI A117.1
- ANSI Z124.1.2
- HUD UM73a
- CAN/CSA-B651-04
- CAN/CSA-B45-02

**Code compliant when fully equipped and installed according to guidelines.

AQUATIC ADVANTAGE

- 5 manufacturing facilities
- Private fleet
- Centralized customer service
- Field support
- 24-hour fax-on-demand

COLOR & TRIM OPTIONS

Stock	Premium
Almond	Black
Bone	Mexican Sand
Linen/Biscuit	Sandbar
Sterling Silver	
White	

**Additional custom colors available.
(Contact Customer Service)

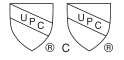


Aquatic products may be specified as Lasco Bathware.

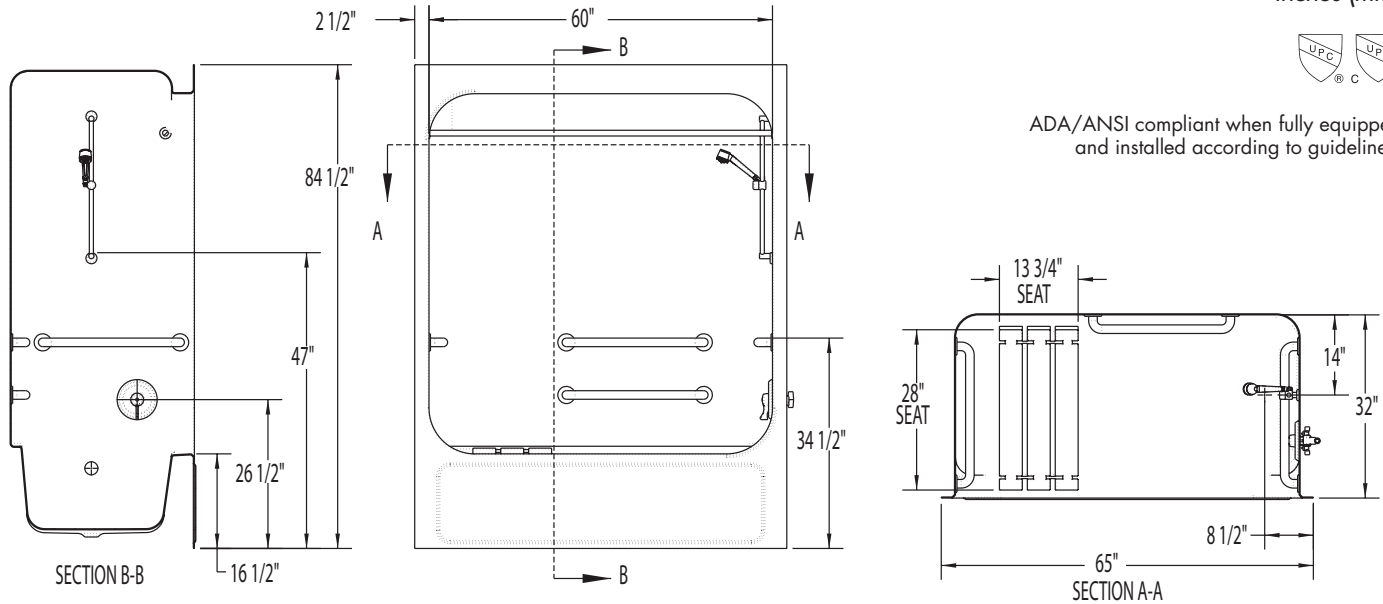


6032ITS

Interior: 60 x 32 x 80 1/2 (1525 x 815 x 2045)
 Exterior: 65 x 33 x 84 (1650 x 840 x 2135)
 inches (mm)



ADA/ANSI compliant when fully equipped and installed according to guidelines.



FEATURES lbs (kg) Dimensional Tolerance $\pm \frac{3}{8}$ ". Dimensions needed for site preparation should be measured from the unit. Aquatic assumes no responsibility for preparatory work.

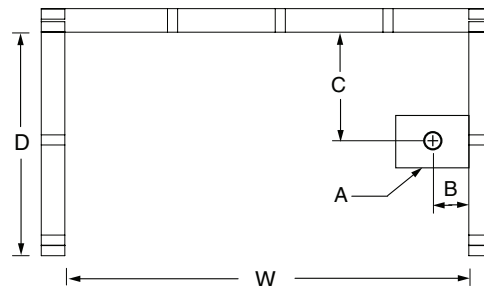
Type and Model #	Material	Wall Finish	Pieces	Drain	Skirt Height	Net Wt.	Pkg. Wt.
Tub-shower #6032ITS	Acrylic	Smooth	1	LH/RH	17" (430mm) skirt	175 (79)	185 (84)

DIMENSIONS

Specifications	inches (mm)
Width: Overall / Net	65 (1650) / 60 (1525)
Depth: Overall / Net	33 (840) / 32 (815)
Height: Overall / Net	84 (2135) / 80 1/2 (2045)
Enclosure Opening:	60 (1525)
Skirt Height:	17 (430)
Drain Rough-In (from Back Wall)	15 (380)
Drain Rough-In (from Side Wall)	8 1/2 (215)
Drain: Diameter / Clearance	2 (50) / 2 1/2 (65)

FRAMING DIMENSIONS inches (mm)

Type	D Depth	W Width	H Height	A	B	C
Alcove	33 (840)	65 1/8 (1655)	-	6 x 12 (150 x 305)	8 1/2 (215)	15 (380)



SUMP DATA

Top of Drain to Bottom of Overflow	Capacity to Overflow gal (ltr)	WIDTH @ centerline		DEPTH @ centerline	
		Top	Bottom	Top	Bottom
13 (330)	52 (197)	26 (660)	23 1/2 (595)	60 (1525)	51 3/4 (1315)