

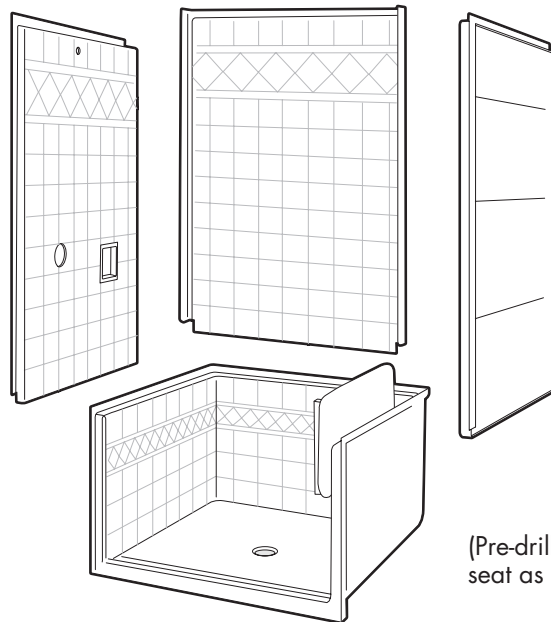
ADA/ANSI COMPLIANT BARRIER-FREE SHOWER STALLS

For roll-in showers with beveled thresholds, build up or recess the bathroom floor 3/4 inch less the thickness of the finished floor, ensuring that the finished floor meets the base of the bevel at the threshold.

It is recommended that the bathroom floor outside ADA clear floor space be designed with a floor drain to alleviate any water over spray that may escape the shower stall.

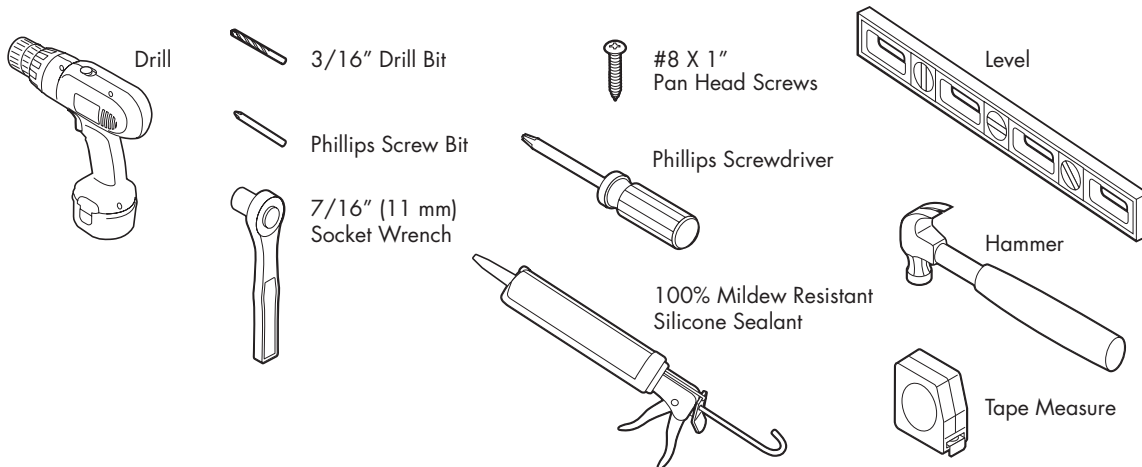
***NOTE:** Model F1424P is compliant with California Title 24 only, not ADA/ANSI.

Items Included



(Pre-drilled holes, soap dish and seat as shown are optional)

Tools Needed



NOTICE: Please inspect the unit thoroughly before installation to make sure it has not been damaged during transportation. Under no circumstances should a damaged unit be installed. Neither Aquatic nor the distributor will be responsible for removal or reinstallation costs should a replacement be necessary due to installation of a damaged unit.

PRE-INSTALLATION PLANNING

1. Review job print and Aquatic rough-in dimensions; verify all key dimensions against actual job conditions.
2. Make sure framed-in alcove is of proper size, square and plumb; check floor for level.
3. If fire-rated alcove is required, approved finish material must be in place prior to unit installation to meet fire safety requirements of local building code and/or FHA/HUD Minimum Property Standards. NOTE: Finished alcove must have interior dimensions shown on rough-in diagram to permit installation of unit.
4. Foundation materials [industrial plaster, mortar mix, lightweight grout] are mandatory under the bottom of each unit to solidify for wheelchair support.
5. Provide 6" (150mm) floor opening for 2" (50mm) IPS and drain connection.
6. Make sure all plumbing is complete and to code.
7. To avoid obstruction, make sure that supply lines and valve plumbing do not project into alcove during the installation process. Also, drain pipe must not project above floor level prior to installation.
8. On inside of plumbing wet wall of unit, note location of supply elbow and mixer valve.
9. To prevent scuffing while installing unit, cover the floor of the unit with a piece of cardboard or other protective material.
10. Fasteners for:
 Wood framing - 1 1/2" galvanized roofing nails or #10 x 1 1/2" self-tapping washer head screws.
 Concrete or block walls - 1" concrete nails and nailing tool.
 Steel studs (18 ga.) - drill flanges and studs with 5/32" carbide bit and use #12 x 1" sheet metal screws.

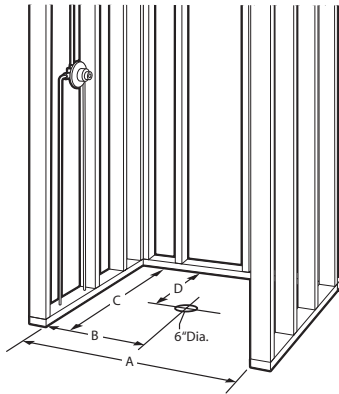
INSTALLATION INSTRUCTIONS

WIDTH DIMENSIONAL TOLERANCE +0, -3/8" (±5 mm)
ALL OTHER DIMENSIONAL TOLERANCES ± 3/8" (±5 mm)

MODEL #	DIM. A	DIM. B	DIM. C	DIM. D	SKIRT HEIGHT
F1364P	39 7/8" (1015 mm)	19 15/16" (505 mm)	39" (990 mm)	19 7/8" (505 mm)	1 1/4" (30 mm)
F1424P	45 7/8" (1165 mm)	22 15/16" (585 mm)	51 1/8" (1300 mm)	7 7/8" (200 mm)	1 1/4" (30 mm)
F1604P	63 7/8" (1620 mm)	31 15/16" (810 mm)	37 1/8" (945 mm)	18 7/8" (480 mm)	1 1/4" (30 mm)

INSTALLATION INSTRUCTIONS, CONT.

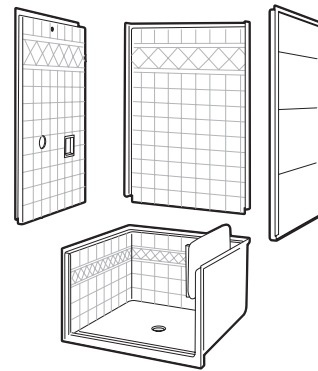
1



NOTE: If fire-rated alcove is required, approved finish materials must be in place prior to unit installation to meet fire safety requirements of local building codes and/or FHA/HUD Minimum Property Standards.

Check dimension of alcove; make sure walls are square and plumb and floor is level. See table on previous page.

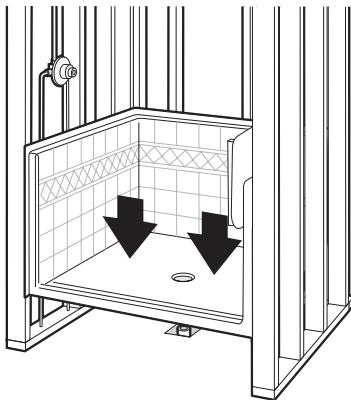
2



Disassemble wall set from base as shown. Set walls aside. **CAUTION:** While disassembling, secure walls to prevent damage.

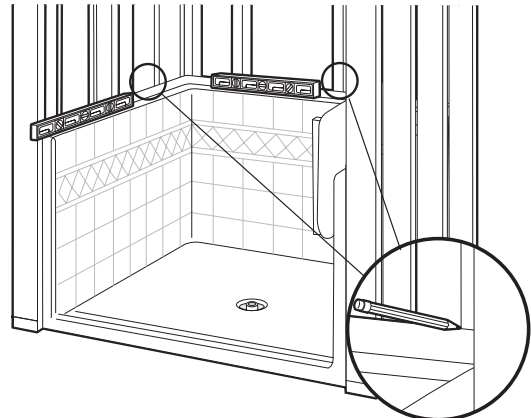
Pre-install unit to ensure alcove is plumb, square and a level installation can be achieved (see steps 3 through 5).

3



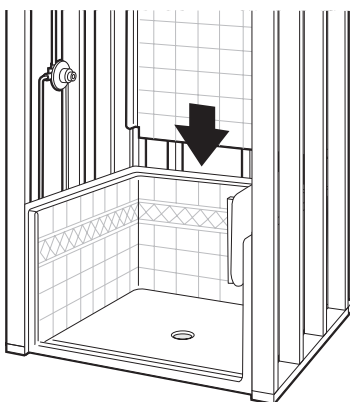
Lift and place base into framing.

4



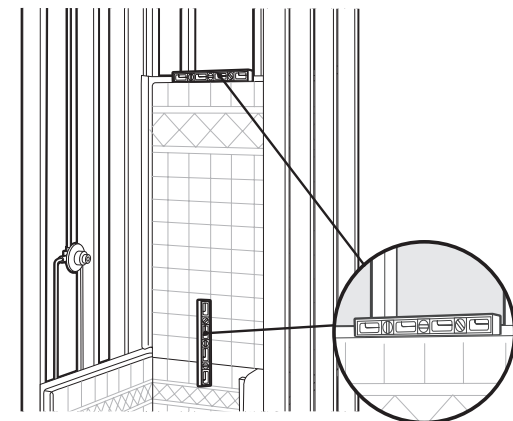
Tap down until level. Mark all sides.

5



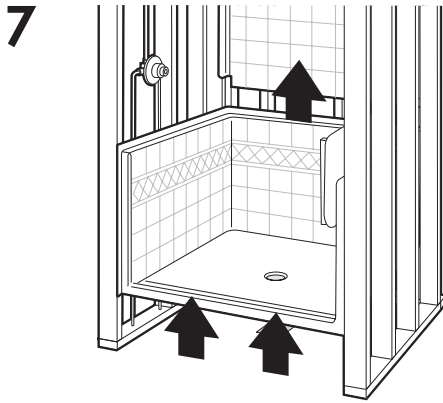
Lift and place back wall into base.

6

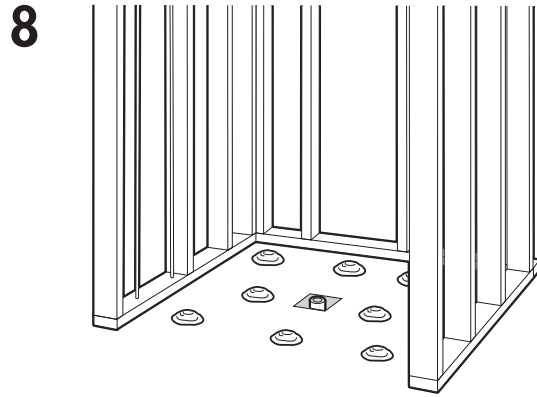


Level back wall vertically and horizontally. Shim back of wall or base, if necessary.

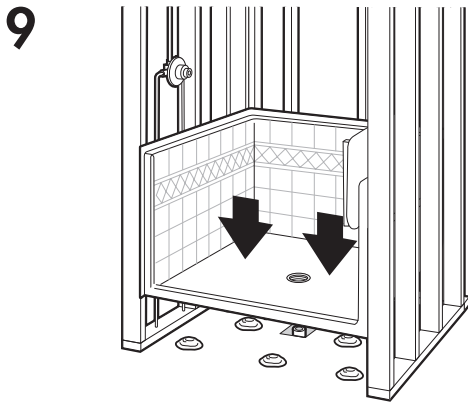
INSTALLATION INSTRUCTIONS, CONT.



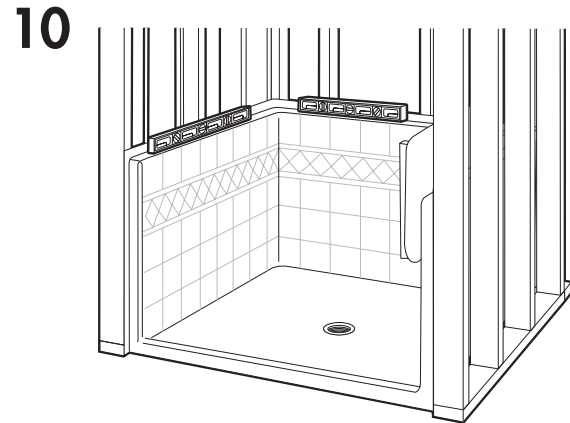
Remove base and back wall from framing. Install drain assembly per manufacturer's instructions.



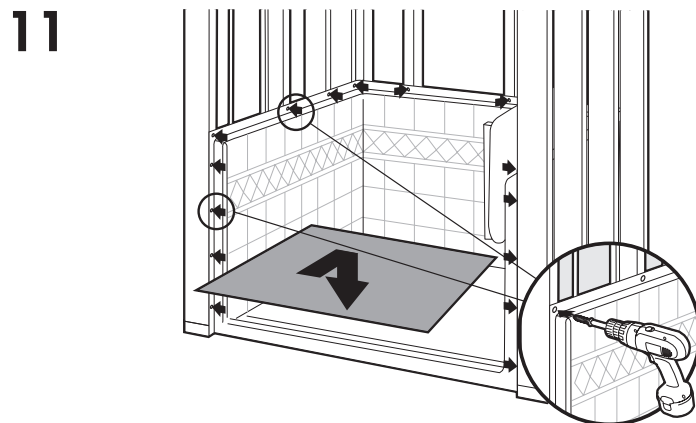
Spread a bed of foundation material around drain extending to perimeter of shower floor. (Drain box-out should be back filled with foundation material. Do not allow foundation material to enter drain pipe.)



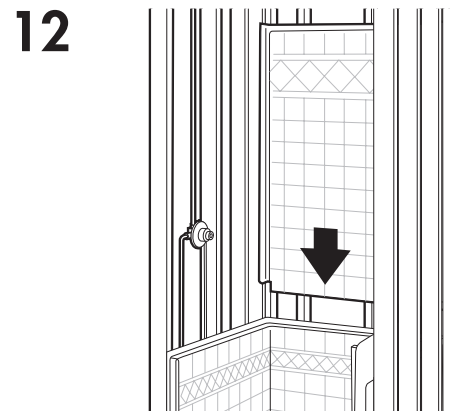
Lift and place base on top of foundation material. (Assure waste pipe protrudes well into drain fitting.)



Tap down until level.



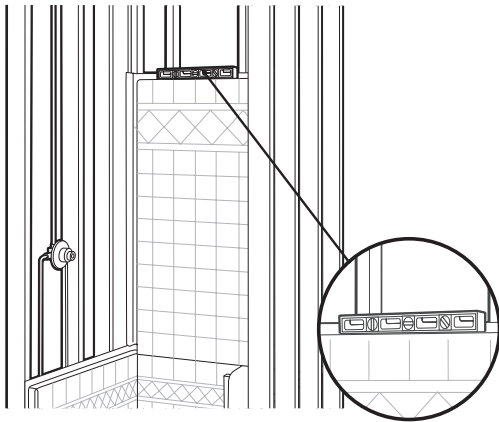
Place cardboard on floor of shower. Pre-drill pilot holes. Fasten unit to framing at every stud and eight inches vertically through nailing flange.



Lift back wall into position.

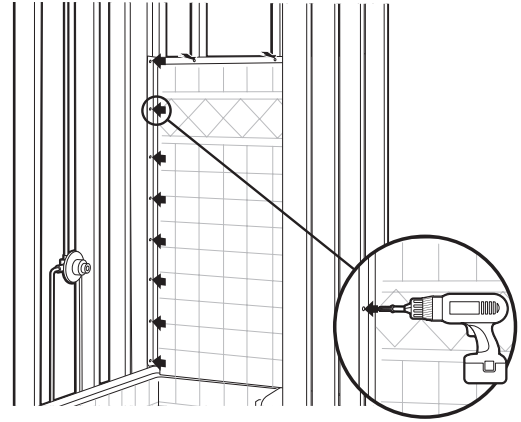
INSTALLATION INSTRUCTIONS, CONT.

13



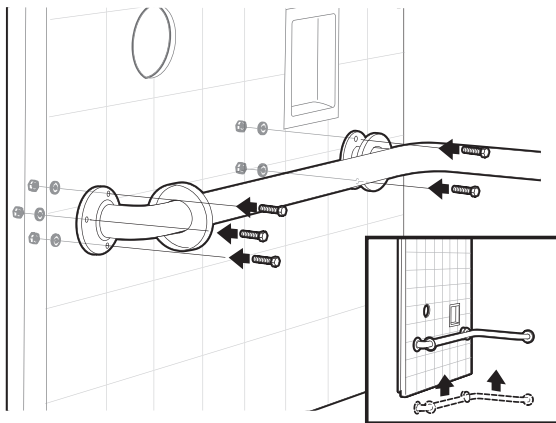
Check for level.

14



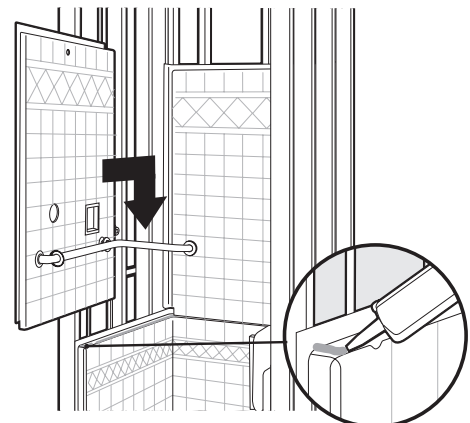
Pre-drill pilot holes and fasten panel to framing at every stud and eight inches vertically through nailing flange.

15



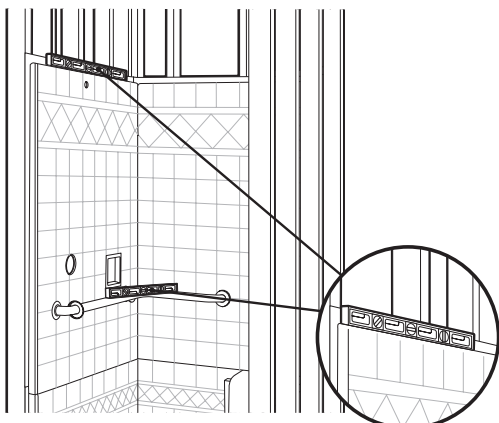
Silicone holes before inserting hardware. Fasten bolts and wipe off excess silicone. Attach grab bar flanges to left wall and snap grab bar cover over flanges. (NOTE: for 60" unit, 2 flanges are on back wall.)

16



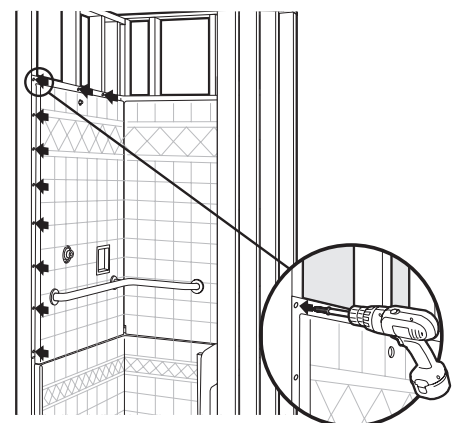
Silicone front edge, avoiding weep channel. Place left wall into position.

17



Check for level on unit and grab bar.

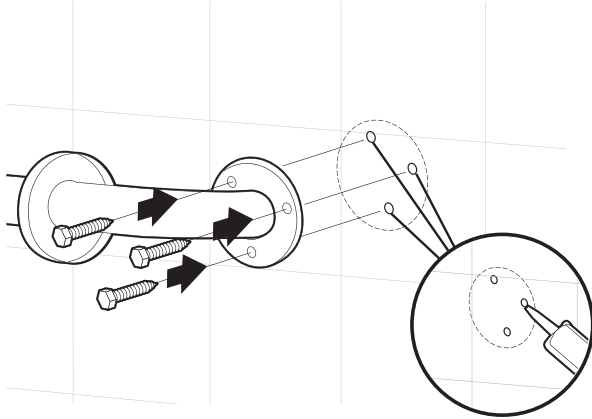
18



Pre-drill pilot holes and fasten panel to framing at every stud and eight inches vertically through nailing flange.

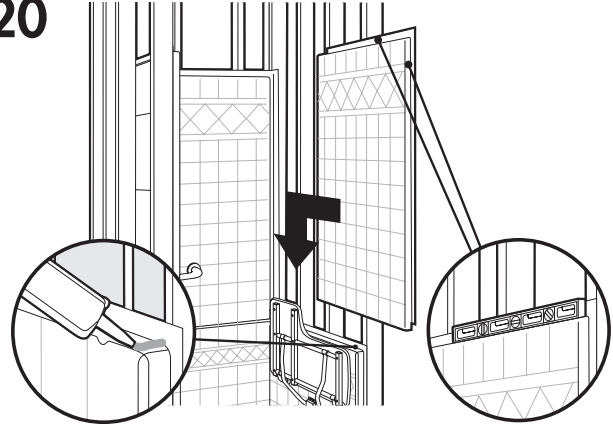
INSTALLATION INSTRUCTIONS, CONT.

19



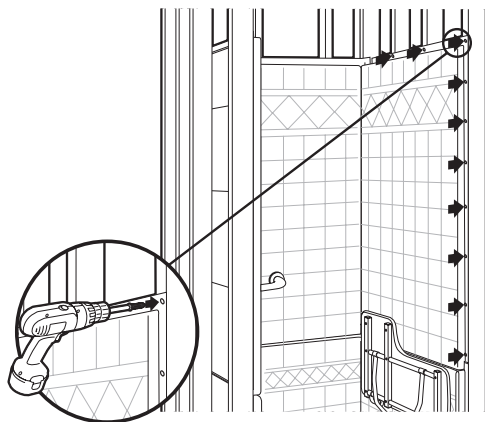
Silicone holes before inserting fasteners. Attach grab bar to back wall and snap grab bar cover over flange. Wipe off excess silicone.

20



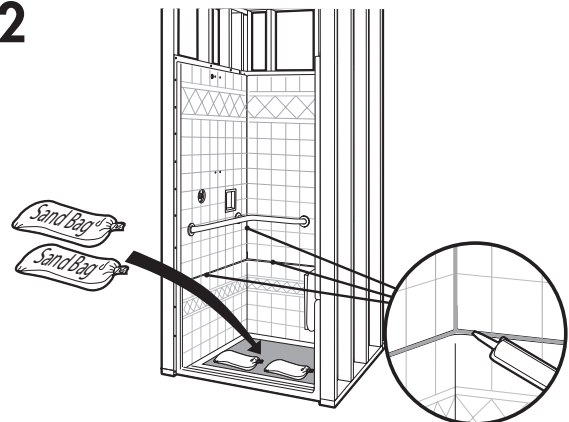
Silicone front edge, avoiding weep channel. Place right wall into position. Front reveal on the sidewall and sump should be flush. Check for level.

21



Pre-drill pilot holes and fasten panel to framing at every stud and eight inches vertically through nailing flange.

22



Use silicone to caulk seams where shown. Tool and clean excess silicone. Use sandbags to weight front center of unit. Leave sandbags in place for about one day.

CLEAN-UP

CAUTION: DO NOT USE heat or solvent based cleaning fluids.

NOTE: Do not remove warranty/maintenance adhered label. Warranty/User maintenance label must be left for occupant (Required by ANSIZ124).

1. Prevent staining. Remove all debris before plumbing leak test. Drain and wipe clean immediately after the inspection process. Use sponge with warm water and liquid detergent. Rinse, drain and wipe clean. Do not use abrasive cleansers such as scouring powders, steel wool, metal scrapers, sandpaper or anything else that might mar, dull or scratch the finish. Roofing tar or paints may be removed with rubbing alcohol or paint thinner (not lacquer thinner).
2. Plaster and latex paint may be removed with warm water, liquid detergent and brittle brush or plastic scraper. Do not use metal scrapper or utensil to remove plaster or paint from finish.
3. Dull areas and light scratches can be restored to high gloss with white or cream-colored automotive rubbing compound, followed by application of coat or good quality white automotive polish (or similar) and buff with a soft cloth. Do not wax bottom of unit.
4. Remove minor scratches with 600 grit wet/dry sandpaper, followed by step #3.
5. Major gouges require professional repair.
6. See user maintenance label for more details.

USER MAINTENANCE INSTRUCTIONS

IMPORTANT! Use only recommended cleaners and procedures described herein. Use of other materials and methods may damage your bath fixture and void the warranty.

1. For normal cleaning, never use abrasive cleaners such as scouring powders or pads, steel wool, scrapers, sandpaper or anything else that could scratch or dull the surface of your Aquatic unit. Instead, use warm water and liquid detergents or non-abrasive cleansers, especially those bathroom cleansers recommended for fiberglass.
2. To keep your Aquatic bath fixture sparkling clean, apply a coat of good quality automotive paste wax or polish and buff to a high shine with a soft cloth or towel. Repeat every six months for easier cleaning and long lasting protection. **DO NOT WAX** standing surfaces of the unit bottom (this includes textured, slip resistant standing surfaces), which could result in greater risk of slipping and personal injury.
3. To restore a scratched or dull unit, use an automotive polishing compound applied with a clean cotton rag. Rub scratches and dull areas vigorously. Wipe off residues. Follow with automotive wax treatment described above. **DO NOT WAX** standing surfaces of the unit bottom (this includes textured, slip resistant standing surfaces), which could result in greater risk of slipping and personal injury.
4. To remove adhesive, try 3-M® natural cleaner, De-Solv-It® or similar materials. If residues remain, saturate small white cotton rag with nail polish remover and rub vigorously until the adhesive dissolves and disappears. These solvents are highly flammable and must be used sparingly and with caution. Do not allow solvent to go down the drain. Make sure not to contact plastic drain grates or other synthetic materials.
5. Rubber mats: If you use rubber "anti-skid" mat, make sure to remove it from the unit after each use to avoid harm to the surface finish.
6. Hard Water: Water in certain regions, if not wiped up after bathing/showering, may cause fading of some bath fixture colors. This is a natural occurrence beyond Aquatic's control. (See Warranty)

CAUTION: When using any cleaning or polishing materials, make sure to read and follow all package instructions carefully. Wear rubber gloves at all times and avoid contact with eyes, skin, clothing, rugs and furnishings. Make sure all residues are rinsed off thoroughly.



Customer Service | Technical Services | Warranty Services

1521 No. Cooper, Ste. 500
Arlington, TX 76011
PH: 800-945-2726, 817-801-8300
FAX: 866-544-5353

LAB-FLIDL4P 4/10