

14832P – REMODELINE SECTIONALS

inches (mm)

48 x 34 x 72 (1220 x 865 x 1830) • Fax on Demand #3007



FEATURES

- 2-piece shower
- Smooth wall
- Integral seats
- Molded toiletry shelf
- Requires 60" turning space
- Center drain
- Gelcoat surface
- 3-year limited warranty

OPTIONS

- Grab bar reinforcement
- Factory installed assisted care grab bars
- Brass shower drain
- Shower Door Series: L0517, LS531

AQUATIC ADVANTAGE

- National distribution
- 6 manufacturing facilities
- Private fleet
- Centralized customer service
- Field support
- 24-hour fax-on-demand

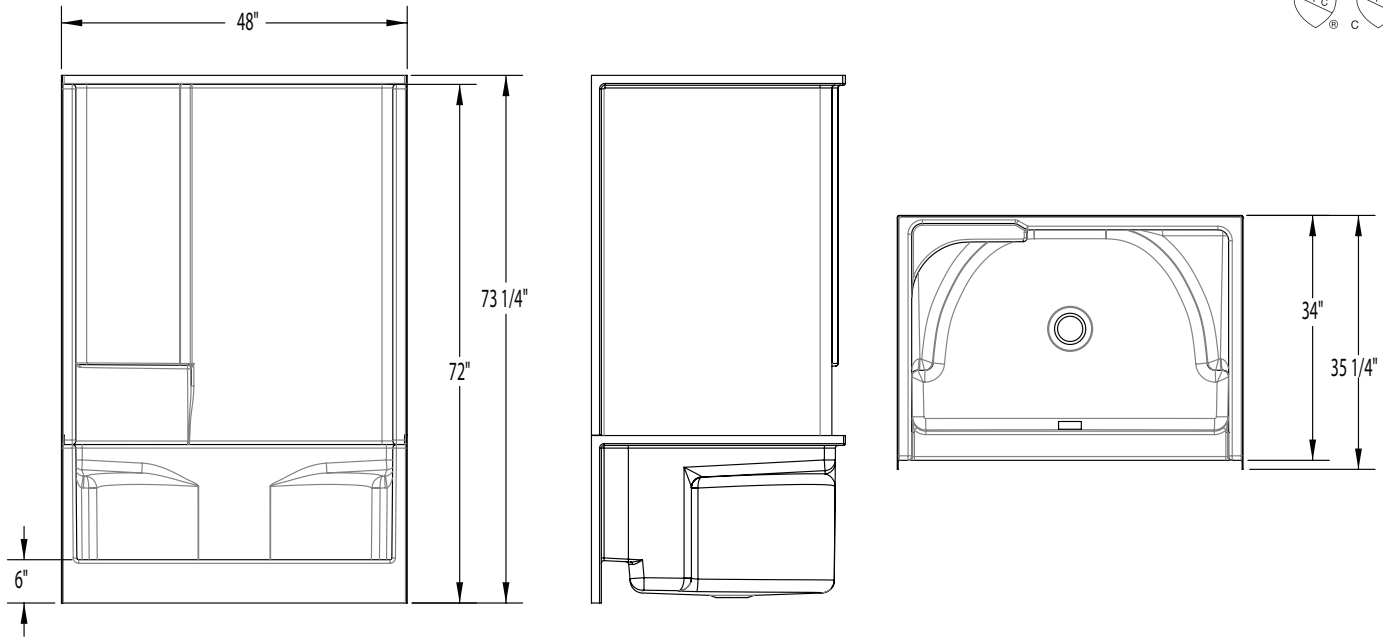
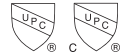
COLOR & TRIM OPTIONS

Stock	Premium
Almond	Black
Biscuit	Mexican Sand
Bone	Sand Bar
Linen	
Sterling Silver	
White	



14832P

48 x 34 x 72 (1220 x 865 x 1830)
inches (mm)



FEATURES lbs (kg) Dimensional Tolerance $\pm 3/8"$. Dimensions needed for site preparation should be measured from the unit. Aquatic assumes no responsibility for preparatory work.

Model #	Material	Wall Finish	Pieces	Drain	Seat	Net Wt.	Pkg. Wt.
Shower #14832P	Gelcoat	Smooth	2	Center	2 seats	106 (48)	111 (50)

DIMENSIONS

Specifications	inches (mm)
Width: Overall / Net	48 (1220)
Depth: Overall / Net	35 1/4 (895) / 34 (865)
Height: Overall / Net	73 1/4 (1860) / 72 (1830)
Enclosure Opening	44 (1120)
Skirt Height	6 (150)
Drain Rough-In (from Back Wall)	15 3/4 (400)
Drain Rough-In (from Side Wall)	24 (610)
Drain: Diameter / Clearance	3 1/4 (85) / 1 1/2 (40)

FRAMING DIMENSIONS inches (mm)

Type	D Depth	W Width	H Height	A	B	C
Alcove	35 1/4 (895)	48 1/8 (1220)	-	Box Out	24 (610)	15 3/4 (400)

