

# HIALEAH I – BUILDERS' CHOICE

inches (mm)

60 x 42 x 23 ½ (1525 x 1065 x 595) • Fax on Demand #5047

SOAKER MODEL #6260620

WHIRLPOOL MODEL #6260621



## AQUATIC ADVANTAGE

- National distribution
- 5 manufacturing facilities
- Private fleet
- Centralized customer service
- Field support
- 24-hour fax-on-demand

## COLOR & TRIM OPTIONS

### Stock

- Almond (C)
- Bone (C)
- Linen/Biscuit (C)
- Sterling Silver (C)
- White (C)

C = Color Matched Trim

## FEATURES

- 8 hydrotherapy jets
- .75 hp pump
- Advanced safety suction system
- Bath-side on/off button
- Sculpted armrests
- Slip-resistant floor
- Center drain
- Lucite cast acrylic surface
- Limited 10-year warranty

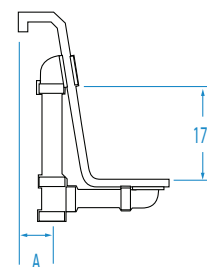
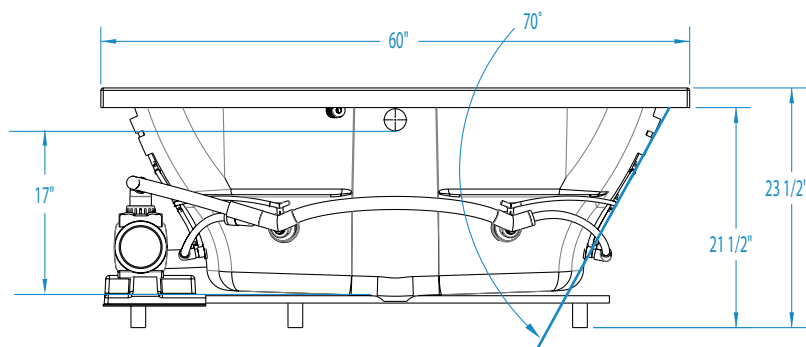
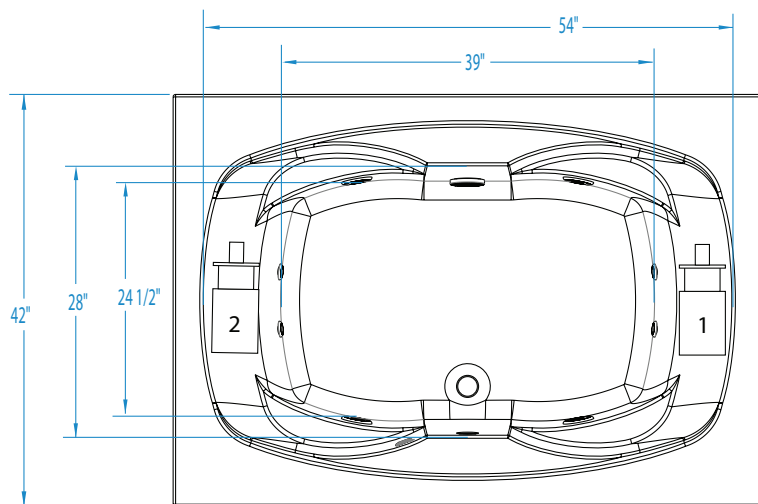
## OPTIONS

- Comfort pillow:  
Biscuit, Black, White
- 1.5kW inline maintenance heater
- Bolt-on grab bar(s):  
Chrome, Oil-Rubbed Bronze,  
Polished Brass, Brushed Nickel,  
Color Matched (Biscuit, White)
- Cable drive waste & overflow:  
Chrome, Oil Rubbed Bronze,  
Polished Brass, Brushed Nickel,  
Color Matched (Biscuit,  
Bone, White)
- Lift & turn waste & overflow:  
Chrome, Oil Rubbed Bronze,  
Polished Brass, Brushed Nickel
- Tile flange
- Optional pump location
- Acrylic skirt: Color Matched



# HIALEAH I

60 x 42 x 23 1/2 (1525 x 1065 x 595)  
inches (mm)



**FEATURES** lbs (kg) Dimensional Tolerance  $\pm 3/8"$ . Dimensions needed for site preparation should be measured from the unit. Aquatic assumes no responsibility for preparatory work.

Type and Model #	Material	Jets	Pump	Heater	Controls	Drain	Pkg. Wt.
Soaker #6260620	Acrylic	0	-	-	-	Center Front	115 (52)
Whirlpool #6260621	Acrylic	8	0.75 HP	1.5kW inline (optional)	Pneumatic	Center Front	167 (76)

## DIMENSIONS inches (mm)

Width Overall / Net	Depth Overall / Net	Height Overall / Net	Skirt Height
60 (1525)	42 (1065)	23 1/2 (595)	-

## SUMP DATA inches (mm)

Capacity to Overflow gal (ltr)	Min. Operating Capacity gal (ltr)	WIDTH @ centerline		DEPTH @ centerline	
		Top	Bottom	Top	Bottom
66 (250)	44 (167)	54 (1370)	39 (990)	28 (710)	24 1/2 (620)

## PLUMBING DIMENSIONS inches (mm)

A	Drain to Overflow	Drain Diameter / Clearance
6 1/4 (160)	17 (430)	2 (50) / 1 1/4 (30)

## ELECTRICAL DATA

Component	Specification	Requirement
Pump	.75 HP; 5 AMP; 120 V	15 AMP; 120V, separate circuit; Class A GFCI

### NOTES:

1) Where applicable, utilize cut-out templates packed with unit for deck cutouts.

2) 16 x 20 (405 x 510) minimum access required at pump/blower location(s).