

# 1483DTS – EVERYDAY SHOWERS

inches (mm)

48 x 36 x 76 (1220 x 915 x 1930) • Fax on Demand #1148



## FEATURES

- Shower stall
- Diagonal tile
- Molded seat (Left or right hand)
- Installed acrylic grab bar
- Molded toiletry shelves
- Slip-resistant textured bottom
- Center drain
- Gelcoat surface
- 5-year limited warranty

## OPTIONS

- Grab bar reinforcement
- Factory installed assisted care grab bars
- Brass shower drain
- Shower door series L0517

## AQUATIC ADVANTAGE

- National distribution
- 5 manufacturing facilities
- Private fleet
- Centralized customer service
- Field support
- 24-hour fax-on-demand

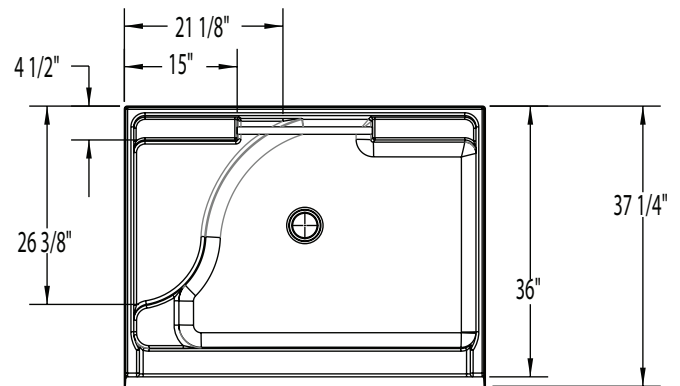
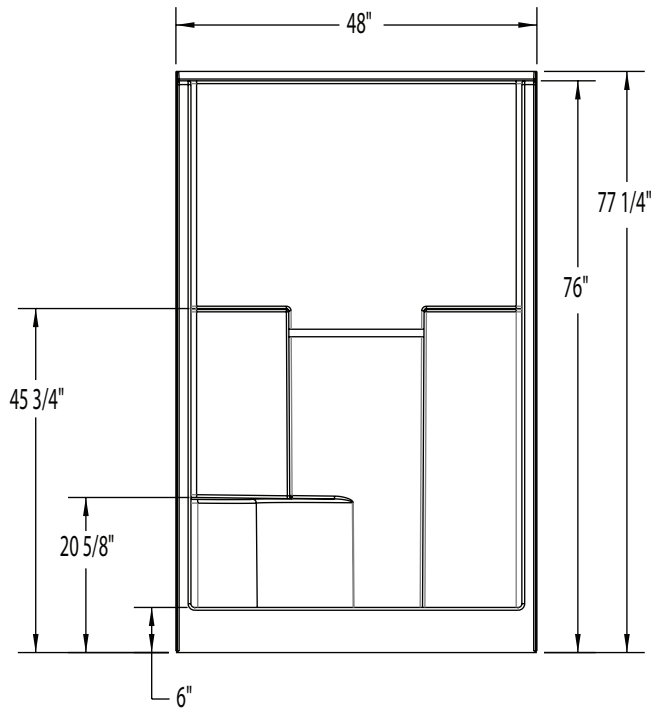
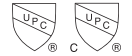
## COLOR & TRIM OPTIONS

Stock	Premium
Almond	Black
Biscuit	Mexican Sand
Bone	Sand Bar
Linen	
Sterling Silver	
White	



# 1483DTS

48 x 36 x 76 (1220 x 915 x 1930)  
inches (mm)



**FEATURES** lbs (kg) Dimensional Tolerance  $\pm \frac{3}{16}$ ". Dimensions needed for site preparation should be measured from the unit. Aquatic assumes no responsibility for preparatory work.

Model #	Material	Wall Finish	Pieces	Drain	Seat	Net Wt.	Pkg. Wt.
Shower #1483DTS	Gelcoat	Diagonal Tile	1	Center	1 seat (LH or RH)	114 (52)	119 (54)

## DIMENSIONS

Specifications	inches (mm)
Width: Overall / Net	48 (1220)
Depth: Overall / Net	37 1/4 (945) / 36 (915)
Height: Overall / Net	77 1/4 (1960) / 76 (1930)
Enclosure Opening	44 (1120)
Skirt Height	6 (150)
Drain Rough-In (from Back Wall)	15 7/8 (405)
Drain Rough-In (from Side Wall)	24 (610)
Drain: Diameter / Clearance	3 1/4 (85) / 7/8 (20)

## FRAMING DIMENSIONS inches (mm)

Type	D Depth	W Width	H Height	A	B	C
Alcove	37 1/4 (945)	48 1/8 (1220)	-	Box Out	24 (610)	15 7/8 (405)

