

# RESTORATION 4 – RESTORATION SERIES

inches (mm)

71 ½ x 39 x 25 (1815 x 990 x 635) • Fax on Demand #1323

SOAKER MODEL #AIY6717TO



## FEATURES

- Deep bathing well
- Claw feet: Chrome, Oil-Rubbed Bronze, Polished Brass, Brushed Nickel, White
- Slip-resistant floor
- Center front drain
- Lucite cast acrylic surface
- Available in white only
- Limited lifetime warranty

## OPTIONS

- Comfort pillow: Biscuit, Black, White
- Freestanding waste & overflow: Chrome, Oil Rubbed Bronze, Polished Brass, Brushed Nickel, White

## AQUATIC ADVANTAGE

- National distribution
- 5 manufacturing facilities
- Private fleet
- Centralized customer service
- Field support
- 24-hour fax-on-demand



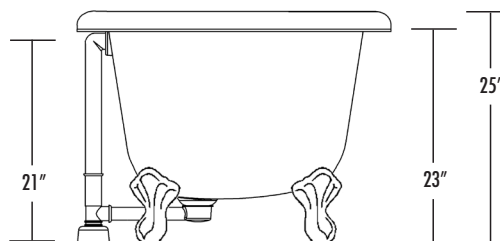
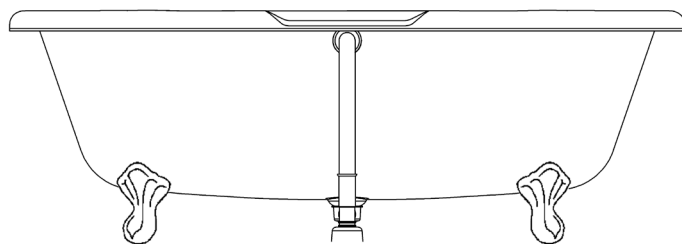
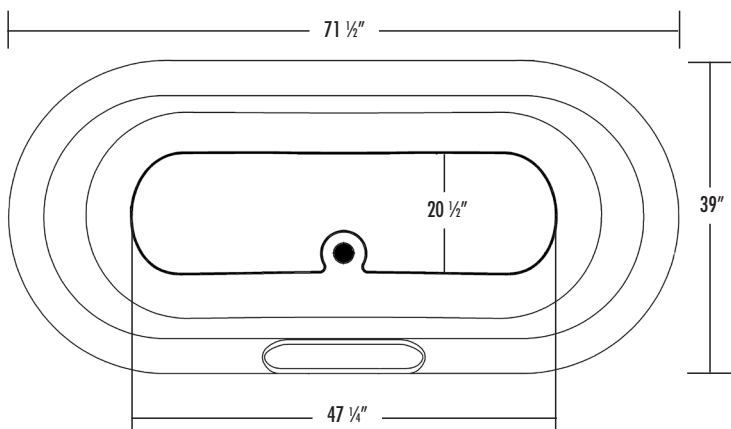
# AQUATIC

Where Inspiration Takes Shape



# RESTORATION 4

71 ½ x 39 x 25 (1815 x 990 x 635)  
inches (mm)



**FEATURES** lbs (kg) Dimensional Tolerance ± 3/8". Dimensions needed for site preparation should be measured from the unit. Aquatic assumes no responsibility for preparatory work.

Type and Model #	Material	Drain	Pkg. Wt.
Soaker #AIY6717TO	Acrylic	End	194 (85)

## DIMENSIONS inches (mm)

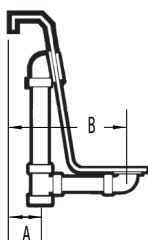
Width Overall / Net	Depth Overall / Net	Height Overall / Net	Skirt Height
71 ½ (1815)	39 (990)	25 (635)	-

## SUMP DATA inches (mm)

Capacity to Overflow gal (ltr)	Min. Operating Capacity gal (ltr)	WIDTH @ centerline		DEPTH @ centerline	
		Top	Bottom	Top	Bottom
79 (300)	-	62 ½ (1590)	48 ¾ (1240)	30 (760)	25 ½ (650)

## PLUMBING DIMENSIONS inches (mm)

A	B
2 (50)	11 ¾ (300)



**NOTES:**

1) Where applicable, utilize cut-out templates packed with unit for deck cutouts.

2) 16 x 20 (405 x 510) minimum access required at pump/blower location(s).