

65 ¾ x 32 x 23 ¼ (1670 x 810 x 590) • Fax on Demand #1272

SOAKER MODEL #AI34AIR6632TO

AIR BATH MODEL #AI34AIR6632

HOTSOAK MODEL #AI34AIR6632HS

DRIFTBATH MODEL #AI34AIR6632DB



FEATURES

- Deep bathing well
- Slip-resistant floor
- Modern styling
- Suitable for undermount application
- Pre-leveled ABS support base
- Universal drain
- Lucite cast acrylic surface
- Limited lifetime warranty

OPTIONS

- Studio Lights Package: 4 high-intensity LEDs, contemporary keypad (air baths)
- Comfort pillow: Biscuit, Black, White
- Bolt-on grab bar(s): Chrome, Oil-Rubbed Bronze, Polished Brass, Brushed Nickel, Color Matched (Biscuit, White)
- Cable drive waste & overflow: Chrome, Oil Rubbed Bronze, Polished Brass, Brushed Nickel, Color Matched (Biscuit, Bone, White)
- Integral tile flange
- Remote control kit
- Remote blower wiring kit
- 1" Low Profile Deck (Skirt option not available with Low Profile Deck)

COLOR & TRIM OPTIONS

Stock	Premium
Almond	Black
Bone	Cashmere
Biscuit	Mexican Sand
Sterling Silver	Red
White	Sandbar

AQUATIC ADVANTAGE

- National distribution
- 5 manufacturing facilities
- Private fleet
- Centralized customer service
- Field support
- 24-hour fax-on-demand

AVAILABLE SYSTEMS

AIR BATH

- Variable speed blower with 20-minute timer
- Air heating system
- Electronic controls with wave and pulse features
- Air channels lined with antimicrobial coating
- Automatic purge and dry cycle with water sensors
- LED chromotherapy lights (4)

HOTSOAK

- 1.5kW inline maintenance heater
- Quiet, run-dry safe pump
- Low-profile circulation portals
- One-touch electronic on/off control
- Quiet pad anti-vibration pump mount

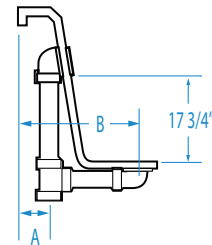
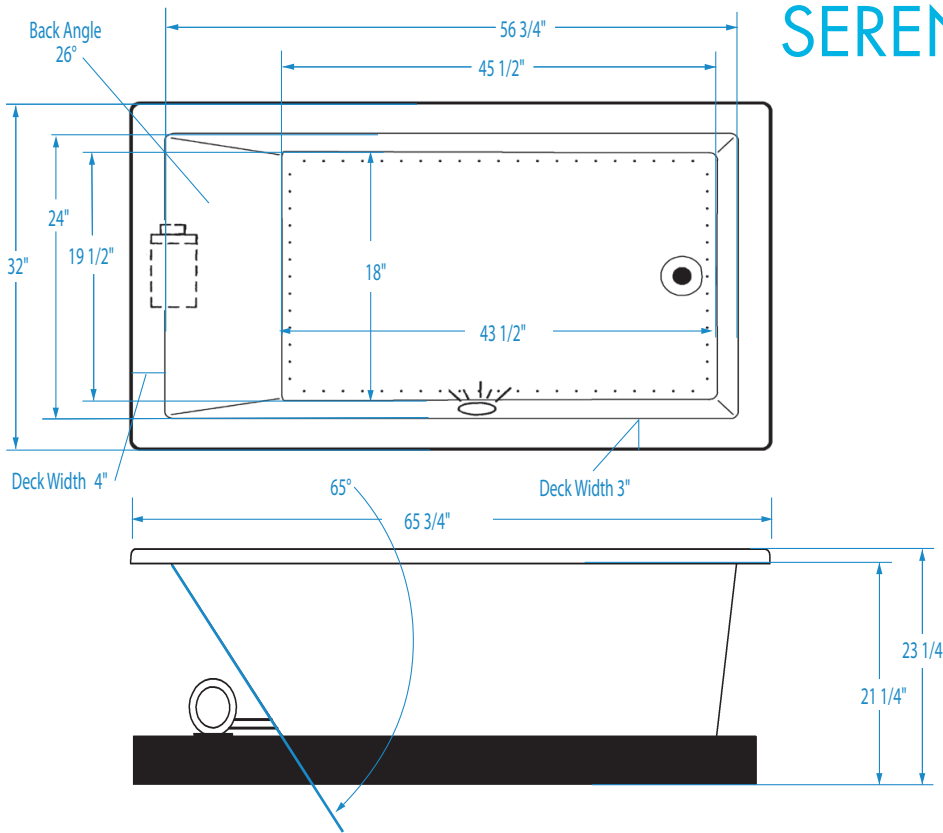
DRIFTBATH

- Quiet, self-heating integrated pump/motor unit
- Dozens of low-profile, water-only portals
- Electronic control with 20-minute timer
- High-intensity LED chromotherapy lights (4)
- Advanced Safety Suction System



SERENITY STUDIO 34

65 3/4 x 32 x 23 1/4 (1670 x 810 x 590)
inches (mm)



FEATURES lbs (kg) Dimensional Tolerance ± 3/8". Dimensions needed for site preparation should be measured from the unit. Aquatic assumes no responsibility for preparatory work.

Type and Model #	Material	System	Powered By	Heater	Controls	Drain	Pkg. Wt.
Soaker #AI34AIR6632TO	Acrylic	-	-	-	-	Universal	156 (71)
HotSoak #AI34AIR6632HS	Acrylic	Water circulation	Pump	1.5 kW Inline maintenance	Electronic on/off	Universal	186 (84)
Air Bath #AI34AIR6632	Acrylic	Air Bath	Variable speed blower	Integrated	Electronic variable	Universal	186 (84)
DriftBath #AI34AIR6632DB	Acrylic	Water circulation	Pump	Integrated	Electronic on/off	Universal	197 (89)

DIMENSIONS inches (mm)

Width Overall / Net	Depth Overall / Net	Height Overall / Net	Skirt Height
65 3/4 (1670)	32 (810)	23 1/4 (590)	-

SUMP DATA inches (mm)

Capacity to Overflow gal (ltr)	Min. Operating Capacity gal (ltr)	WIDTH @ centerline		DEPTH @ centerline	
		Top	Bottom	Top	Bottom
79 (299)	-	56 3/4 (1440)	45 1/2 (1155)	24 (610)	19 1/2 (495)

PLUMBING DIMENSIONS inches (mm)

A	B	Drain Diameter / Clearance
2 3/4 (70)	10 3/4 (275)	

ELECTRICAL DATA

Component	Specification	Requirement
Blower/Heater (Air Bath)	10.5 AMP; 120 V	15 AMP; 120V, separate circuit; Class A GFCI
Pump (HotSoak)	1/15 HP; 1.3 AMP; 110 V	20 AMP; 110 V, separate circuit; Class A GFCI
Heater (HotSoak)	1.5 kW; 12.5 AMP; 110 V	
Pump (DriftBath)	3/4 HP; 8.8 AMP; 110 V	15 AMP; 120V, separate circuit; Class A GFCI

NOTES:

- Where applicable, utilize cut-out templates packed with unit for deck cutouts.
- 16 x 20 (405 x 510) minimum access required at pump/blower location(s).
- For Low Profile Deck, framing height will need to be increased by an additional 1".

Each Serenity air bath is equipped with an air heating system to raise the temperature of the air entering the bath. This air temperature will be lower than the bathing temperature of the water, but will help reduce rapid decrease in water temperature. In addition, the air coming from the air jets will feel cool against the skin. This system does not heat the water.