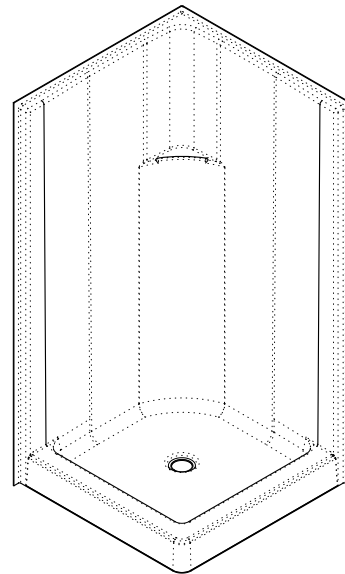
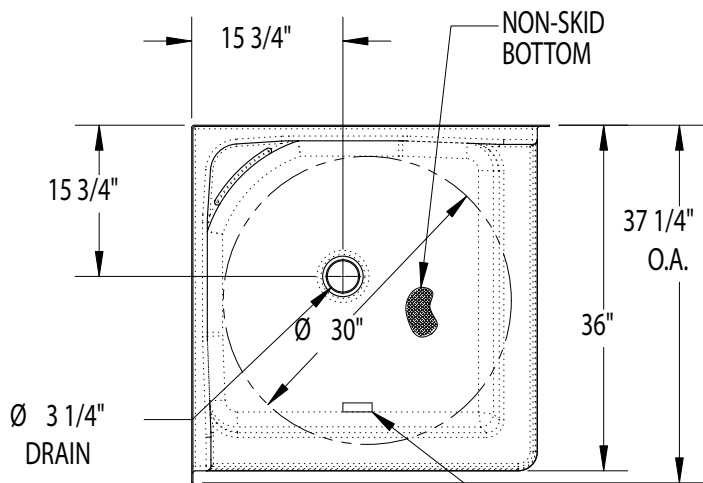
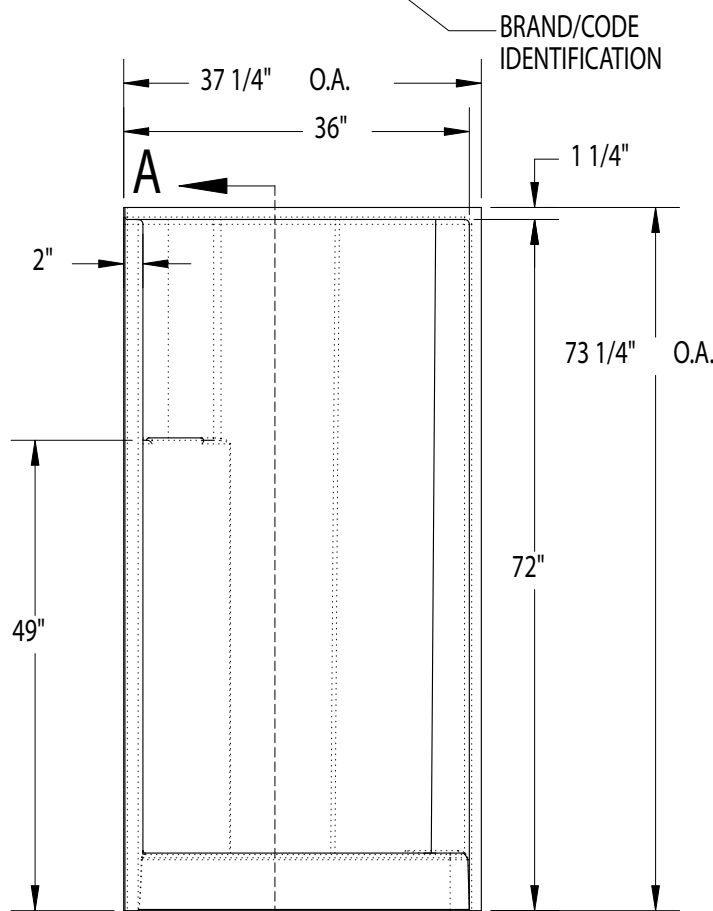


REVISIONS			
REV.	DESCRIPTION	DATE	APPROVED

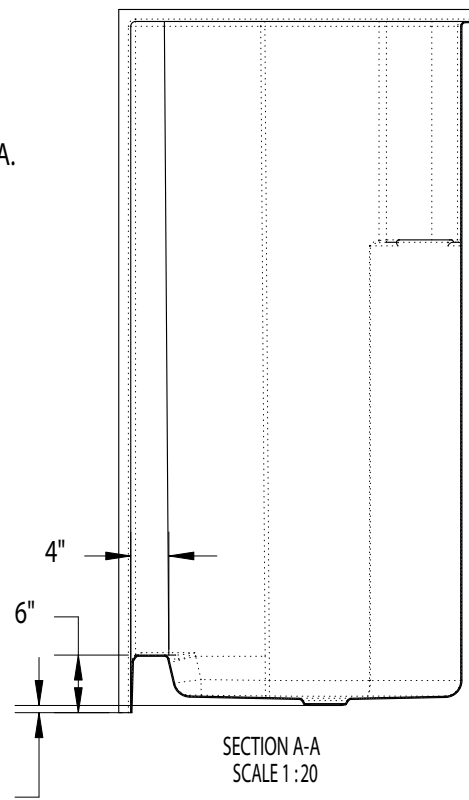


ISOMETRIC VIEW
DO NOT SCALE



FRONT ELEVATION

3/4" DRAIN
CLEARANCE



SECTION A-A
SCALE 1:20

DRAWN	PPRIOR	DATE	10/18/2006	8101 E. Kaiser Blvd. Anaheim, CA 92808 Model No. 1362-C 36"x36"x72" Corner Shower Stall
CHECKED				
ENG APPR.				
MFG APPR.				
Q.A.				
CATEGORY:				TITLE Model No. 1362-C 36"x36"x72" Corner Shower Stall
SIZE	DWG. NO.	REV.		
A	A-10-1362C-45-0001-S			
SCALE 1:2			SHEET 1 OF 1	