

2543GC – EVERYDAY TUB/SHOWERS

inches (mm)

54 x 29 x 72 (1370 x 735 x 1830) • Fax on Demand #9014



FEATURES

- Tub-shower
- Smooth wall finish
- Ergonomic backrest
- Slip-resistant textured bottom
- Center rear drain
- Installed acrylic grab bar
- Gelcoat surface
- 5-year limited warranty

OPTIONS

- Grab bar reinforcement
- Factory installed assisted care grab bars
- Designer drain, waste & overflow
- Shower Door Series L0516

AQUATIC ADVANTAGE

- National distribution
- 5 manufacturing facilities
- Private fleet
- Centralized customer service
- Field support
- 24-hour fax-on-demand

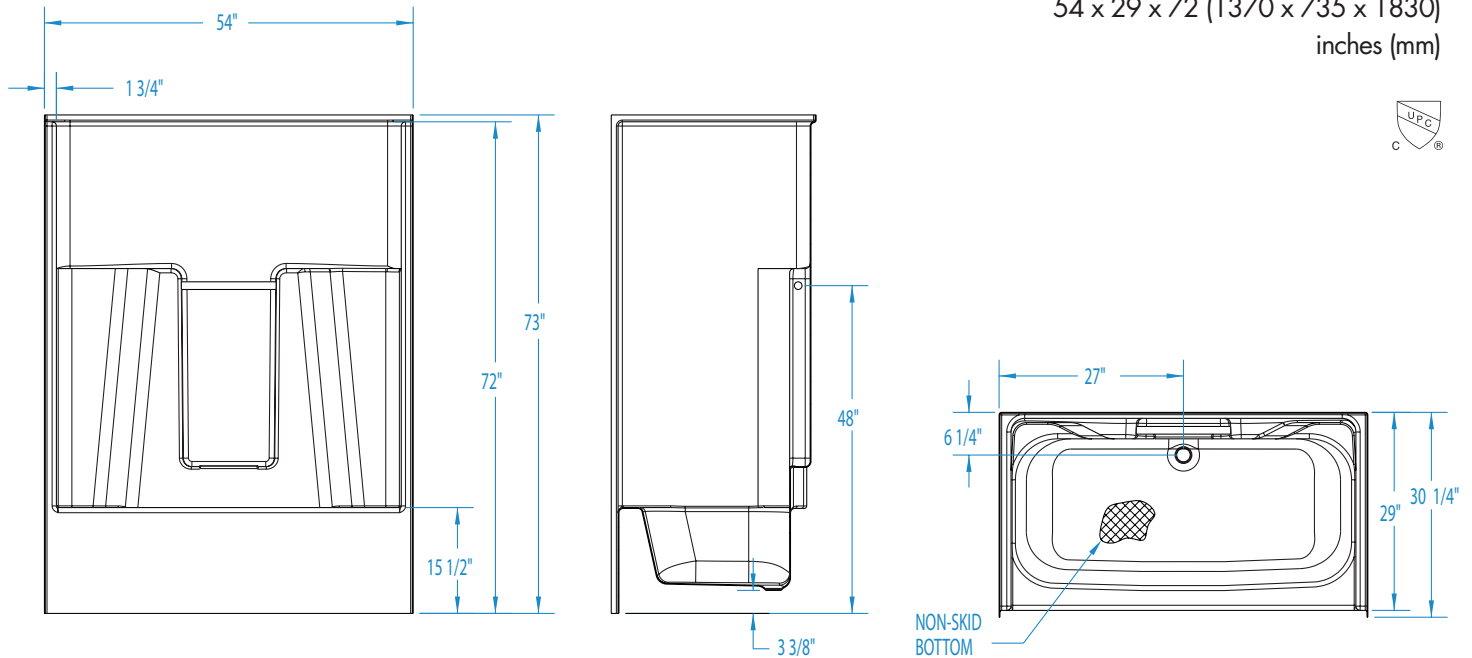
COLOR & TRIM OPTIONS

Stock	Premium
Almond	Black
Biscuit	Mexican Sand
Bone	Sand Bar
Linen	
Sterling Silver	
White	



2543GC

54 x 29 x 72 (1370 x 735 x 1830)
inches (mm)



FEATURES lbs (kg) Dimensional Tolerance $\pm 3/8"$. Dimensions needed for site preparation should be measured from the unit. Aquatic assumes no responsibility for preparatory work.

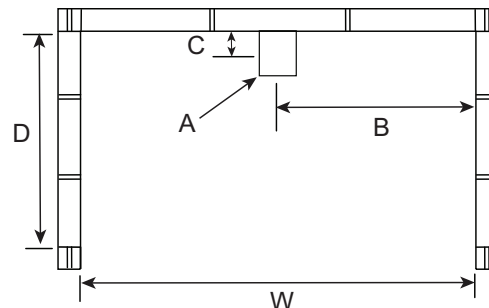
Model #	Material	Wall Finish	Jets	Motor	Controls	Drain	Net Wt.	Pkg. Wt.
Tub-Shower #2543GC	Gelcoat	Smooth	-			Center rear	119 (54)	

DIMENSIONS

Specifications	inches (mm)
Width: Overall / Net	54 (1370)
Depth: Overall / Net	30 1/4 (770) / 29 (735)
Height: Overall / Net	73 (1855) / 72 (1830)
Enclosure Opening	50 1/2 (1275)
Skirt Height	15 1/2 (395)
Drain Rough-In (from Back Wall)	2 (50)
Drain Rough-In (from Side Wall)	27 (685)
Drain: Diameter / Clearance	2 (50) / 3 3/8 (85)

FRAMING DIMENSIONS inches (mm)

Type	D Depth	W Width	H Height	A	B	C
Alcove	30 1/4 (770)	54 1/8 (1375)	-	Box Out	27 (685)	2 (50)



SUMP DATA

Top of Drain to Bottom of Overflow	Capacity to Overflow gal (ltr)	Min. Operating Capacity gal (ltr)	WIDTH @ centerline		DEPTH @ centerline	
			Top	Bottom	Top	Bottom
8 (205)	42 (159)		49 1/2 (1255)	46 (1170)	21 3/8 (550)	19 1/2 (495)