

INFINITY 5 – INFINITY SERIES

inches (mm)

72 x 48 x 29 (1830 x 1220 x 735) • Fax on Demand #1290

MODEL #A15INF7248 (Whirlpool)

MODEL #A15INF7248A (Air-whirlpool)



AQUATIC ADVANTAGE

- National distribution
- 5 manufacturing facilities
- Private fleet
- Centralized customer service
- Field support
- 24-hour fax-on-demand

COLOR & TRIM OPTIONS

| Stock | Premium |
|------------------------|------------------|
| Almond (C, M) | Black (C, M) |
| Bone (C, M) | Cashmere (M) |
| Linen/Biscuit (C, M) | Mexican Sand (M) |
| Sterling Silver (C, M) | Red (M) |
| White (C, M) | Sandbar (M) |

C = Color Matched Trim

M = Metallic Trim (Brushed Nickel, Chrome, Polished Brass)

FEATURES

- 17 hydrotherapy jets: shiatsu & rotary (12), pressure-flo (2), massage elite (3)
- Pulsating neck jet pillow: Biscuit, Black, White
- 2hp pump
- Digital electronic control
- Shiatsu electronic control with pre-programmed jet sequencer
- Inline maintenance heater
- Fast fill waterfall spout
- Deep bathing well
- Sculpted armrests
- Slip-resistant floor
- Adjusta-level base
- Quiet pad anti-vibration pump mount
- Center front drain
- Lucite cast acrylic surface
- Limited lifetime warranty

OPTIONS

- Air Bath System
 - Variable speed blower
 - Air heating system
 - Automatic purge and dry cycle with water sensors
 - Water-level activated dry cycle
- Comfort pillow: Biscuit, Black, White
- Cable drive waste & overflow: Chrome, Oil Rubbed Bronze, Polished Brass, Brushed Nickel, Color Matched (Biscuit, Bone, White)
- Available Without Fast-fill Waterfall Spout

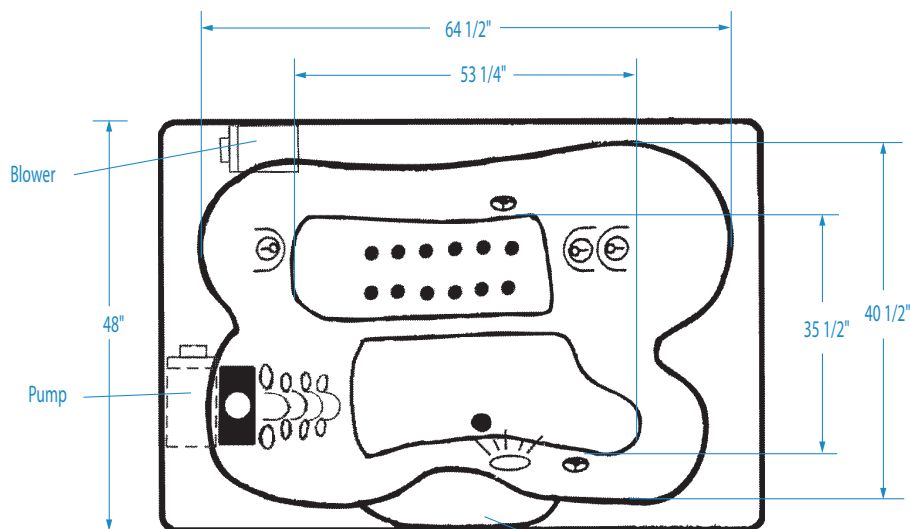


INFINITY 5

72 x 48 x 29 (1830 x 1220 x 735)
inches (mm)

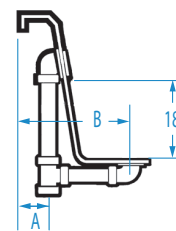
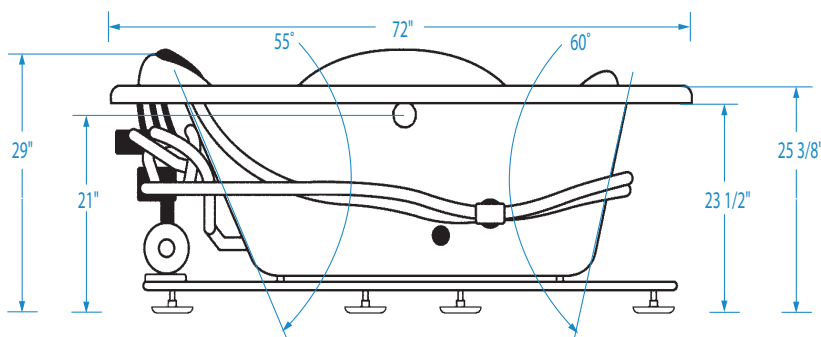


This unit has a 3/4" female waterfall fill spout connection.



No alternate pump location available.
*Shown with optional air system.

Fill Spout Location



FEATURES lbs (kg) Dimensional Tolerance ± 3/8". Dimensions needed for site preparation should be measured from the unit. Aquatic assumes no responsibility for preparatory work.

| Type and Model # | Material | Jets | Pump | Air System | Blower | Heater | Controls | Drain | Pkg. Wt. |
|----------------------------|----------|------|------|------------|----------------|---------------|------------|--------------|-----------|
| Whirlpool #A15INF7248 | Acrylic | 17 | 2 HP | — | — | 1.5 kw Inline | Electronic | Center Front | 404 (183) |
| Air-whirlpool #A15INF7248A | Acrylic | 17 | 2 HP | Injector | Variable speed | 1.5 kw Inline | Electronic | Center Front | 424 (190) |

DIMENSIONS inches (mm)

| Width Overall / Net | Depth Overall / Net | Height Overall / Net | Skirt Height |
|------------------------|------------------------|-------------------------|-----------------|
| 72 (1830) | 48 (1220) | 29 (735) | — |

SUMP DATA inches (mm)

| Capacity to Overflow gal (ltr) | Min. Operating Capacity gal (ltr) | WIDTH @ centerline | | DEPTH @ centerline | |
|--------------------------------------|---|--------------------|---------------|--------------------|--------------|
| | | Top | Bottom | Top | Bottom |
| 134 (110) | 86 (325) | 64 1/2 (1640) | 53 1/4 (1350) | 40 1/2 (1028) | 35 1/2 (900) |

PLUMBING DIMENSIONS inches (mm)

| A | B |
|------------|----------|
| 3 1/2 (90) | 11 (280) |

ELECTRICAL DATA

| Component | Specification | Requirement |
|---------------|-------------------------|---|
| Pump | 2 HP; 12 AMP; 110 V | 15 AMP 2 pole, separate circuit, Class A GFCI |
| Inline Heater | 1.5 kW; 12.5 AMP; 110 V | |
| Blower | 1 HP; 10.5 AMP; 110 V | 15 AMP 1 pole, separate circuit, Class A GFCI |

NOTES:

- Where applicable, utilize cut-out templates packed with unit for deck cutouts.
- 16 x 20 (405 x 510) minimum access required at pump/blower location(s).