



COMMERCIAL HEAVY-DUTY PLASTIC TOILET SEAT

MODEL #

COLOR #

1055/1055SSC

DESCRIPTION:

Open front less cover, elongated, heavy-duty, injection molded solid plastic toilet seat. Features two molded-in bumpers, non self-sustaining (1055) or self-sustaining (1055SSC) check hinges with non-corrosive 300 Series stainless steel posts, pintles and hardware. This seat complies with American National Standard Z124.5 Toilet (Water Closet) Seats as a class Commercial Heavy Duty.

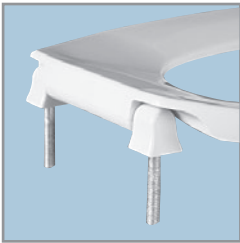
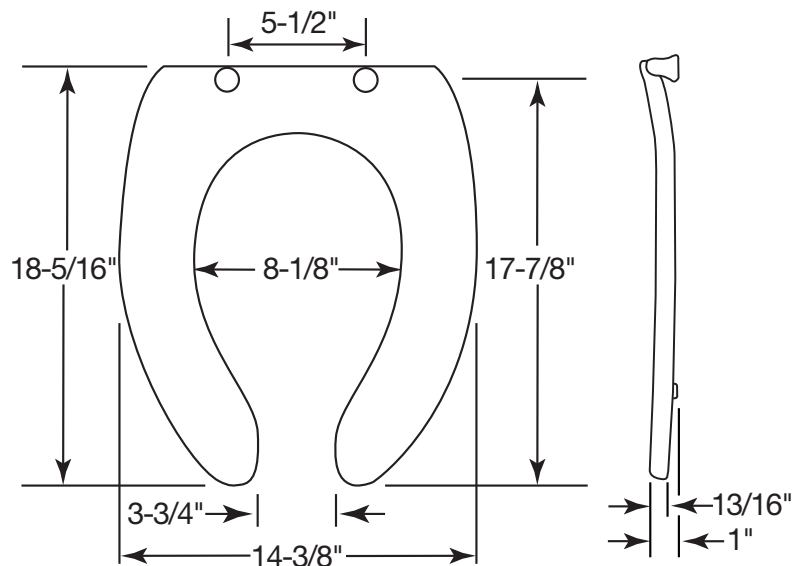
SPECIFICATIONS:

Size:	Elongated
Material:	Plastic
Style:	Open Front less Cover
Bumpers:	Two
Hinges:	Plastic Non Self-Sustaining (1055) or Self-Sustaining (1055SSC) with 300 Series Stainless Steel Posts and Pintles
Fastening System:	Non-Corrosive 300 Series Stainless Steel Nuts

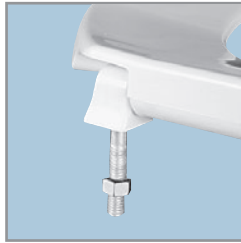
FEATURES:

Non-Corrosive 300 Series Stainless Steel Posts, Pintles and Nuts

DIMENSIONS:



PLASTIC HINGES WITH
STAINLESS STEEL POSTS
AND PINTLES



NON-CORROSIVE
STAINLESS STEEL NUTS

Proudly Made in the USA

Bemis Manufacturing Co., Sheboygan Falls, WI 53085
www.BemisSeats.com

Phone: 920-467-4621 | 800-558-7651 Fax: 920-467-8573
©2010 0B7012284