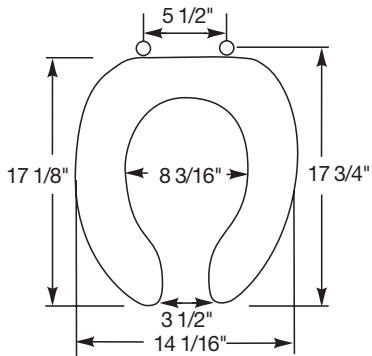




DuraGuard<sup>®</sup>  
ANTIMICROBIAL



Ring thickness is 3/4"  
Ring thickness including the bumper is 1-1/16"  
Height of the seat with cover is 2-1/4"

## HOSPITALITY PLASTIC SEATS

# MODEL 7850TJDG

- ELONGATED SEAT, OPEN FRONT WITH COVER
- HEAVY DUTY PLASTIC
- 300 SERIES STAINLESS STEEL HINGE AND BOLT
- DURAGUARD<sup>®</sup> ANTIMICROBIAL AGENT
- JUST•LIFT<sup>®</sup>, INTEGRATED HINGE SYSTEM
- STA-TITE<sup>®</sup>, COMMERCIAL FASTENING SYSTEM™

Seats shall be No. 7850TJDG as manufactured by Church Seats. Seats shall contain DuraGuard<sup>®</sup>, an antimicrobial agent. Seats shall be heavy weight and injection molded of solid plastic. Seats shall be open front with cover for elongated bowl and feature large molded-in bumpers. Seats shall have STA-TITE<sup>®</sup>, Commercial Fastening System™ featuring external check hinges with 300 Series stainless steel posts and pintles. Seats shall feature JUST•LIFT<sup>®</sup> integrated hinge system for enhanced cleanability and hygiene. Color to be white.

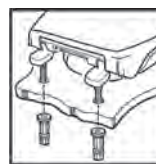


STA-TITE<sup>®</sup>, COMMERCIAL FASTENING SYSTEM™, ONE-PIECE INTEGRATED NUT AND WASHER

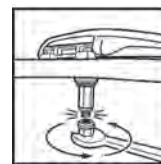


JUST•LIFT<sup>®</sup> PROVIDES 1-1/2" OF LIFT HEIGHT FOR ENHANCED CLEANABILITY

## JUST•LIFT<sup>®</sup> with STA-TITE<sup>®</sup> Commercial Fastening System™



Finger-tighten fastening nuts.



Using wrench, tighten until lower portion shears off.