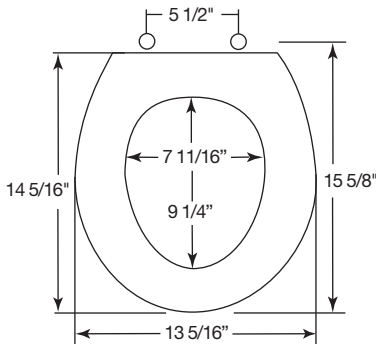




RESIDENTIAL MOLDED WOOD SEATS

MODEL BB540

- CLOSED FRONT WITH COVER
- TOP-TITE® HINGE WITH CORROSION-FREE PLASTIC NUT AND BOLT



Ring thickness is 3/4"
Ring thickness including the bumper is 1-1/16"
Height of the seat with cover is 2"

Seats shall be No. BB540 as manufactured by Church Seats. Seats shall be molded wood, multi-coat enamel finish with closed front and cover to fit American Standard Baby Devoro and Eljer toddler-size toilets. Feature color-matched bumpers and Top-Tite® hinge with corrosion-free plastic nut and bolt. Color to be white.

