

# MECHANICAL FAUCETS

## 930-XKCP



### Water Faucets

#### Product Type

Deck Mounted Single Hole Hot and Cold Water Mixing  
Faucet with Vacuum Breaker

#### Features & Specifications

- Single Hole
- 6" Rigid / Swing Gooseneck Spout with Atmospheric Vacuum Breaker
- Full Flow Nozzle
- 2-1/2" Cross Handle
- Ceramic 1/4 Turn Operating Cartridge
- 3/8" O.D. Copper Supply Tubes
- Atmospheric Vacuum Breaker, Not Intended for Continuous Pressure Applications
- Atmospheric Vacuum Breaker, Not Intended for Continuous Pressure Applications

#### Performance Specification

- Rated Operating Pressure: 20-125 PSI
- Rated Operating Temperature: 40-140°F

#### Warranty

- Lifetime Limited Faucet Warranty
- 5-Year Limited Cartridge Warranty
- 1-Year Limited Finish Warranty

#### Codes & Standards

- ASME A112.18.1/CSA B125.1
- Certified to NSF/ANSI 61, Section 9 by CSA

Job Name \_\_\_\_\_

Item Number \_\_\_\_\_

Section/Tag \_\_\_\_\_

Model Specified \_\_\_\_\_

Architect \_\_\_\_\_

Engineer \_\_\_\_\_

Contractor \_\_\_\_\_

Submitted as Shown       Submitted with Variations

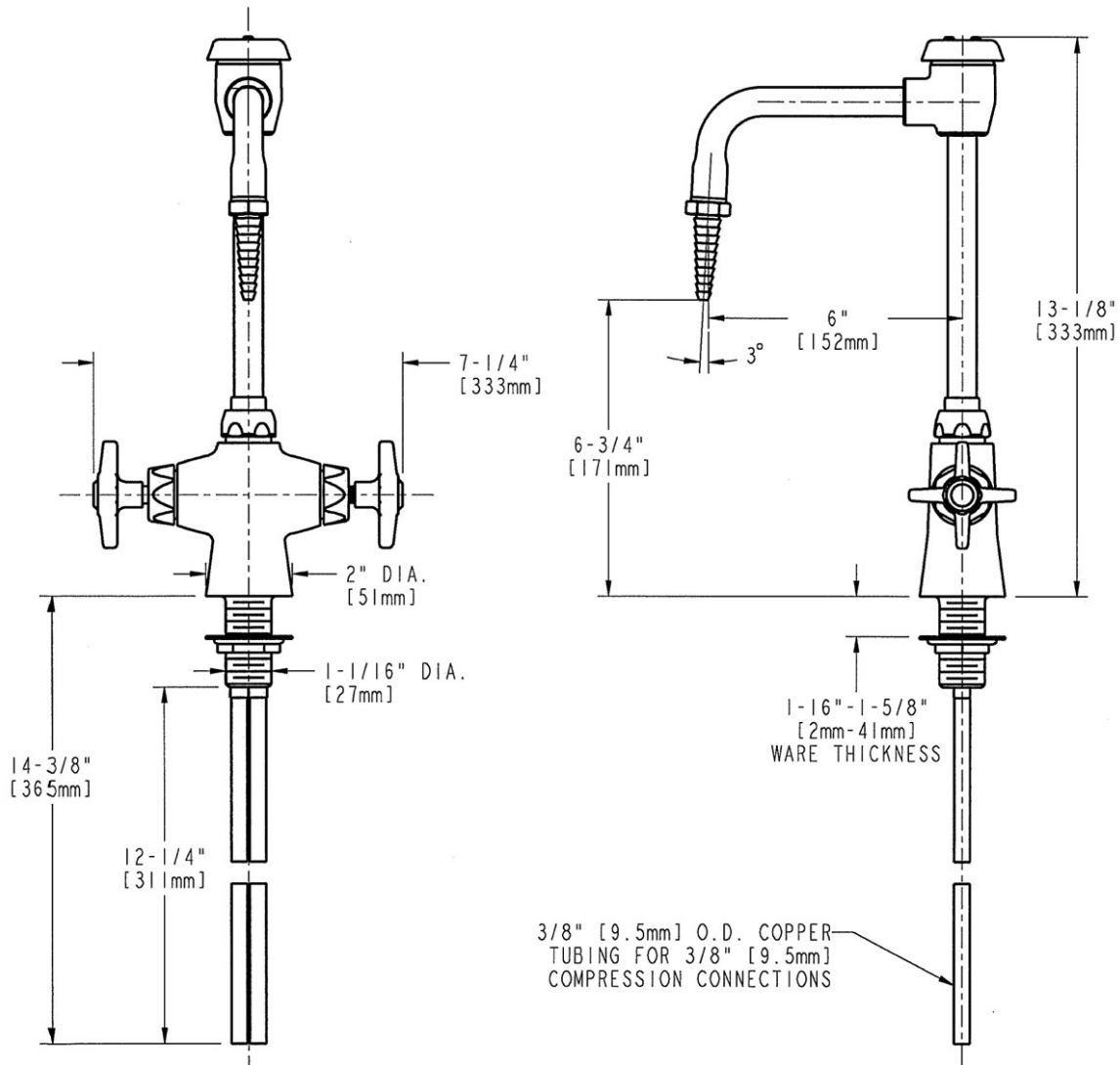
Date \_\_\_\_\_



2100 South Clearwater Drive  
Des Plaines, IL  
P: 847/803-5000  
F: 847/803-5454  
Technical: 800/TEC-TRUE  
www.chicagofaucets.com

### Architect/Engineer Specification

Chicago Faucets No. 930-XKCP, Deck Mounted Single Hole Hot and Cold Water Mixing Faucet with Vacuum Breaker, Chrome Plated solid brass construction. 6" Center to Center Rigid / Swing Gooseneck Spout with Atmospheric Vacuum Breaker. Full Flow Laboratory Serrated Nozzle. 2-1/2" Metal Cross handle(s) with Eight Point Tapered Broach and CW and HW Buttons. Ceramic quarter turn cartridge, features square tapered stem. 3/8" O.D. Copper Supply Tubes. Atmospheric Vacuum Breaker, Not Intended for Continuous Pressure Applications. Atmospheric Vacuum Breaker, Not Intended for Continuous Pressure Applications. This product is tested and certified to industry standards: ASME A112.18.1/CSA B125.1, and Certified to NSF/ANSI 61, Section 9 by CSA.



### Operation and Maintenance

Installation should be in accordance with local plumbing codes. Flush all pipes thoroughly before installation. After installation, remove spout outlet or flow control and flush faucet thoroughly to clear any debris. Care should be taken when cleaning the product. Do not use abrasive cleaners, chemicals or solvents as they can result in surface damage. Use mild soap and warm water for cleaning and protecting the life of Chicago Faucet products. For specific operation and maintenance refer to the installation instructions and repair parts documents that are located at [www.chicagofaucets.com](http://www.chicagofaucets.com).

Chicago Faucets, member of the Geberit Group, is the leading brand of commercial faucets and fittings in the United States, offering a complete range of products for schools, laboratories, hospitals, office buildings, food service, airports and sport facilities. Call 1.800.TECTRUE or 1.847.803.5000 Option 1 for installation or other technical assistance.



2100 South Clearwater Drive  
Des Plaines, IL  
P: 847/803-5000  
F: 847/803-5454  
Technical: 800/TEC-TRUE  
[www.chicagofaucets.com](http://www.chicagofaucets.com)