

**CHICAGO FAUCETS**  
 a Geberit company

2100 South Clearwater Drive  
 Des Plaines, IL 60018  
 Phone: 847-803-5000  
 Fax: 847-803-5454  
 www.chicagofaucets.com

**REPAIR PARTS**

BY: JAR    DATE: 10-27-08  
 CHK: *[Signature]*    REV:

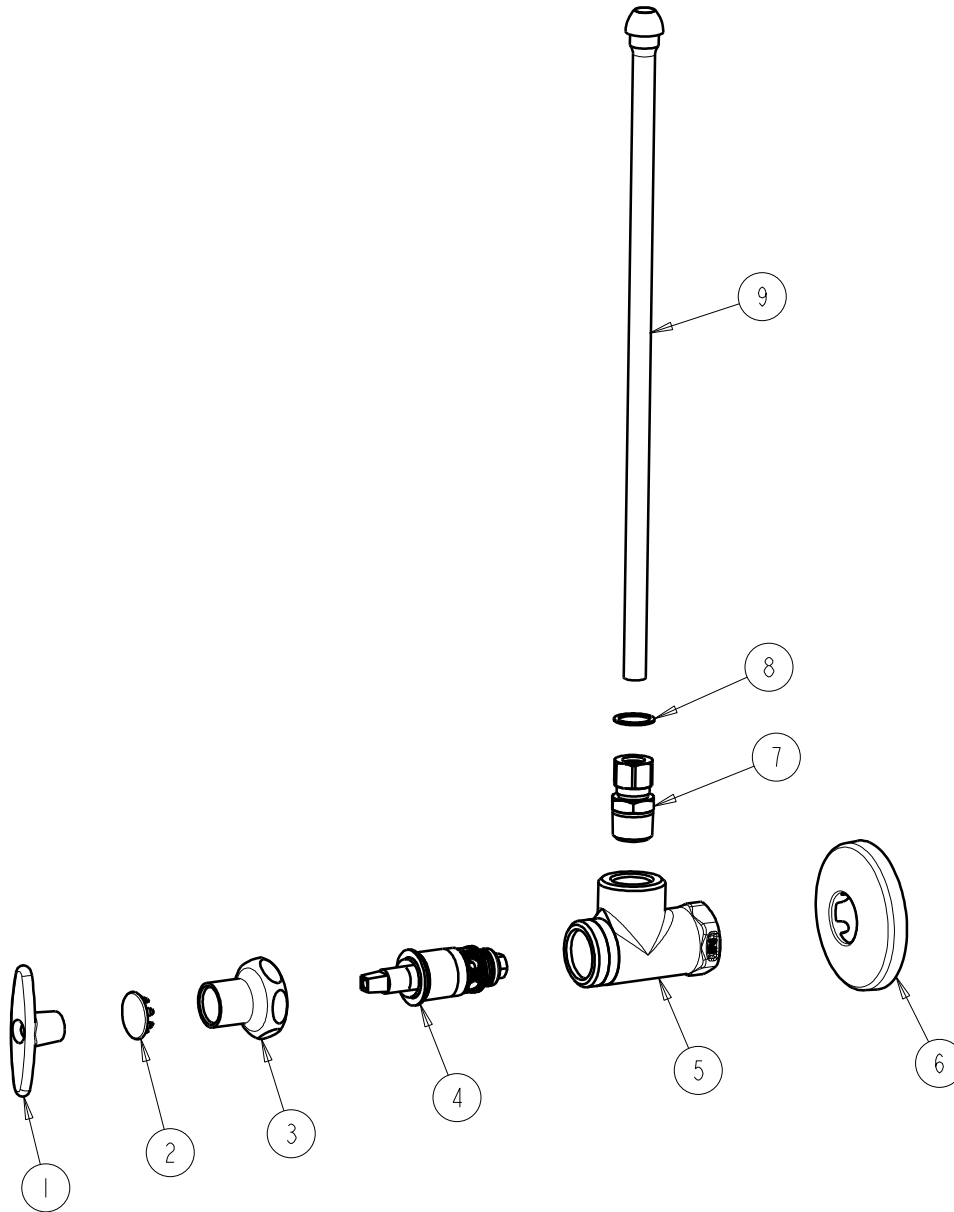
FITTING NO.

**1017-ABCP**

SUBMITTED MODEL NO.

ITEM NO.

**FOR TECHNICAL ASSISTANCE**  
 1-800-TEC-TRUE (1-800-832-8783)



ITEM	PART NO.	DESCRIPTION
1	293-006JKRCF	HANDLE, TEE INCLUDES SCREW
2	1-144JKCP	BUTTON
3	1-246JKCP	NUT, CAP LOOSE KEY 1-1/8-18 UNEF
4	AB217-XTLHJKNF	CARTRIDGE, SLO-COMPRESSION
5	-----	VALVE BODY (NOT SOLD SEPARATELY)
6	749-016JKCP	FLANGE
7	AB1022-007JKRCF	COMP. FITTING 3/8 TUBE X 3/8 NPT
8	250-027JKRBF	BRASS WASHER
9	1016-001JKRCF	FLEXIBLE TUBE 3/8 X 11-7/8