

**CHICAGO FAUCETS**  
a Geberit company

2100 South Clearwater Drive  
Des Plaines, IL 60018  
Phone: 847-803-5000  
Fax: 847-803-5454  
www.chicagofaucets.com

# REPAIR PARTS

BY: SID    DATE: 10-08-10  
CHK: *[Signature]*    REV:

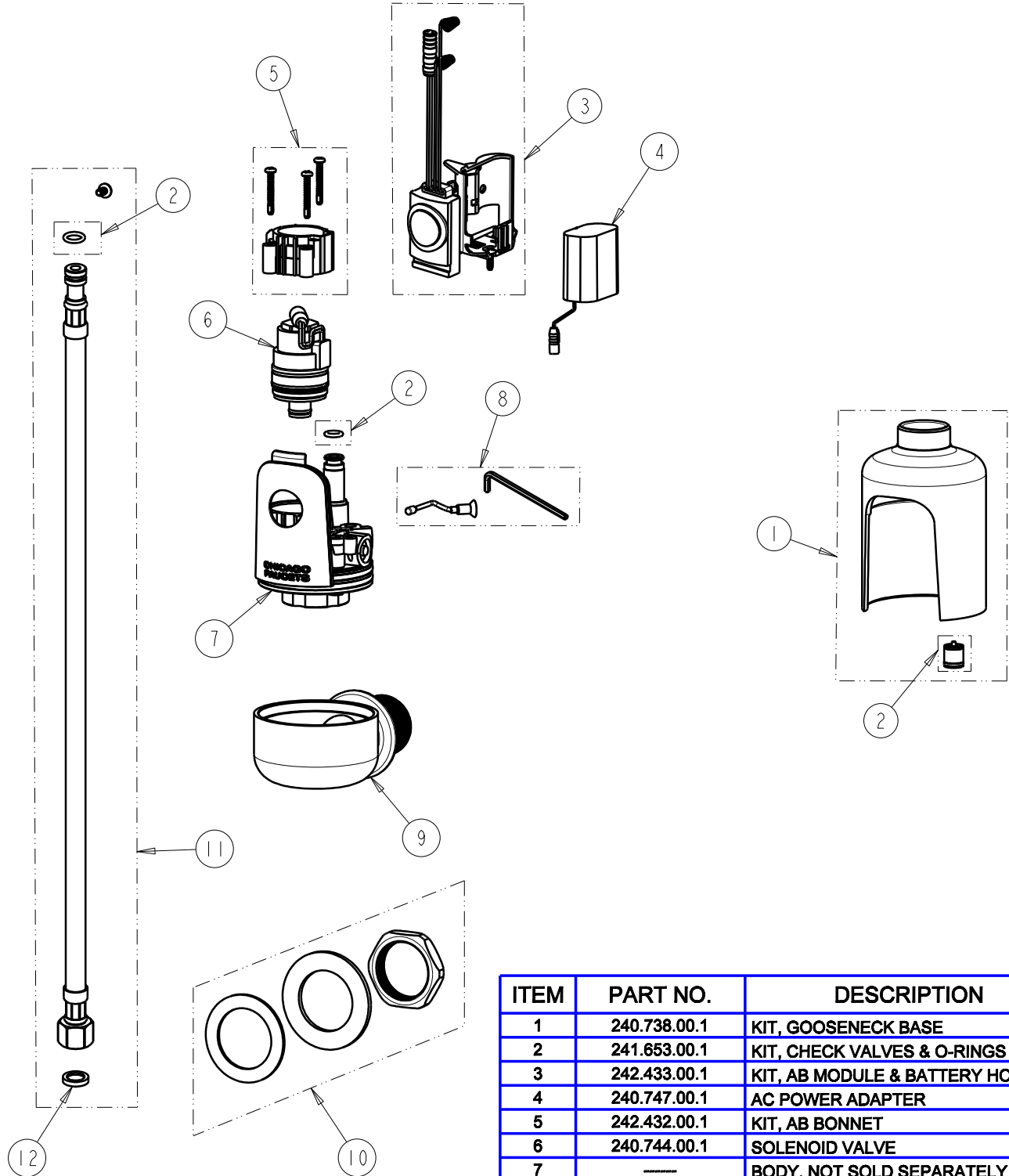
FITTING NO.

**116.304.AB.1**

SUBMITTED MODEL NO.

ITEM NO.

**FOR TECHNICAL ASSISTANCE**  
**1-800-TEC-TRUE (1-800-832-8783)**



ITEM	PART NO.	DESCRIPTION
1	240.738.00.1	KIT, GOOSENECK BASE
2	241.653.00.1	KIT, CHECK VALVES & O-RINGS
3	242.433.00.1	KIT, AB MODULE & BATTERY HOLDER
4	240.747.00.1	AC POWER ADAPTER
5	242.432.00.1	KIT, AB BONNET
6	240.744.00.1	SOLENOID VALVE
7	-----	BODY, NOT SOLD SEPARATELY
8	240.753.00.1	SHUT-OFF SCREW ASSEMBLY
9	-----	BASE, NOT SOLD SEPARATELY
10	241.589.00.1	KIT, WALL MOUNTING HARDWARE
11	240.693.00.1	KIT, SS BRAIDED HOSE (QTY 1)
12	3300-005JKNF	FILTER/SCREEN