

CHICAGO FAUCETS
a Geberit company

2100 South Clearwater Drive
Des Plaines, IL 60018
Phone: 847-803-5000
Fax: 847-803-5454
www.chicagofaucets.com

REPAIR PARTS

FITTING NO.

116.850.AB.1

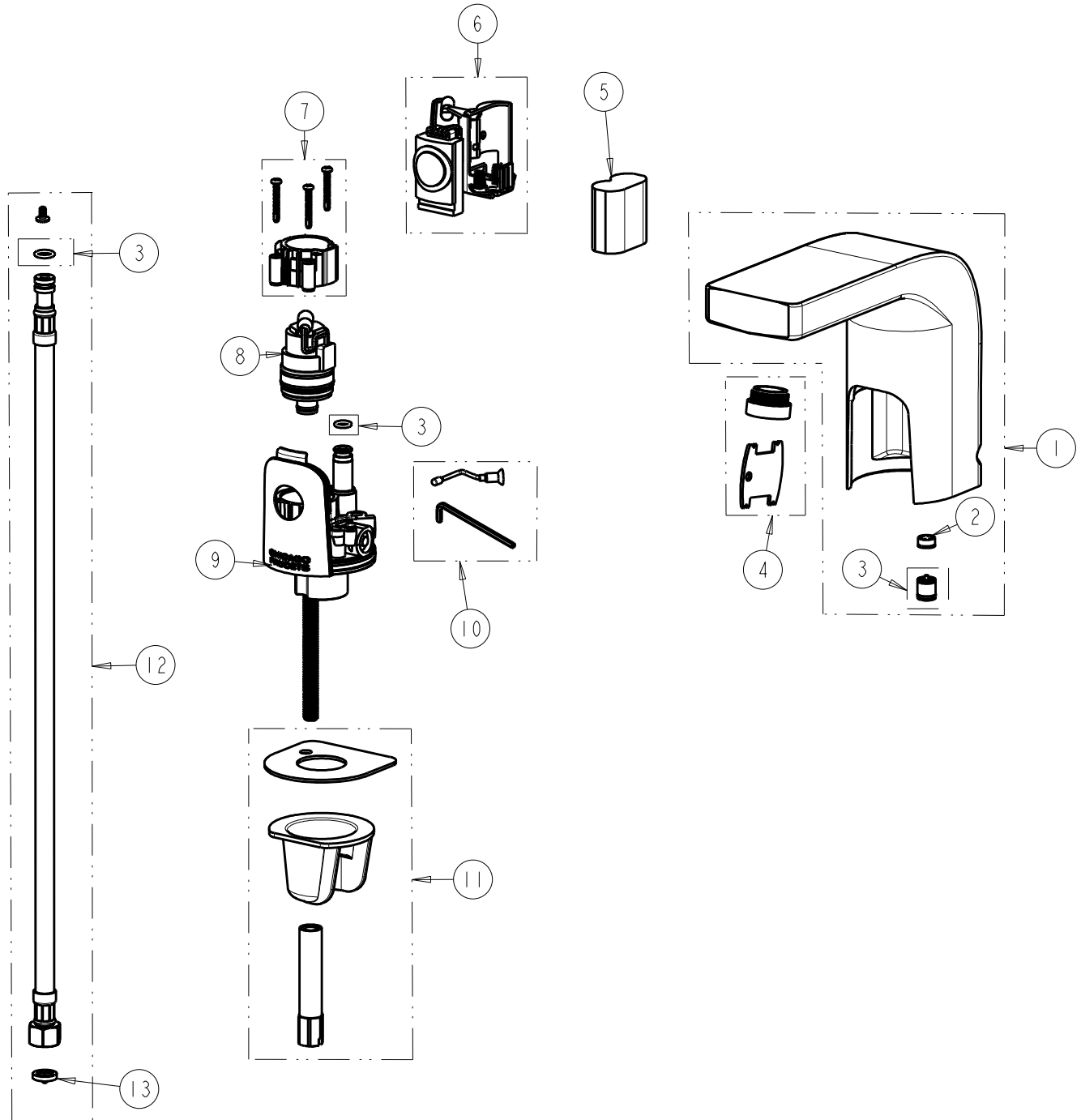
SUBMITTED MODEL NO.

ITEM NO.

BY: JAR DATE: 08-20-12

CHK: REV:

FOR TECHNICAL ASSISTANCE
1-800-TEC-TRUE (1-800-832-8783)



ITEM	PART NO.	DESCRIPTION	ITEM	PART NO.	DESCRIPTION
1	242.756.AB.1	KIT, LAVATORY SPOUT w/ 1.5 GPM	8	240.744.00.1	SOLENOID VALVE
2	1020-006JKNF	FLOW CONTROL 1.5 GPM MAX	9	---	BODY, NOT SOLD SEPARATELY
3	241.653.00.1	KIT, CHECK VALVES & O-RINGS	10	240.753.00.1	SHUT-OFF SCREW ASSEMBLY
4	242.757.AB.1	KIT, FLOW STRAGHTENER	11	242.835.00.1	KIT, DECK MOUNTING HARDWARE
5	---	6V LITHIUM BATTERY CR-P2 NOT SOLD	12	240.693.00.1	KIT, SS BRAIDED HOSE (QTY 1)
6	242.433.00.1	KIT, AB MODULE & BATTERY HOLDER	13	3300-005JKNF	FILTER/SCREEN
7	242.432.00.1	KIT, AB BONNET			