

CHICAGO FAUCETS

a Geberit company

FOR TECHNICAL ASSISTANCE
1-800-TEC-TRUE (1-800-832-8783)

2100 South Clearwater Drive
Des Plaines, IL 60018
Phone: 847-803-5000
Fax: 847-803-5454
www.chicagofaucets.com

REPAIR PARTS

BY: JAR DATE: 08-21-12

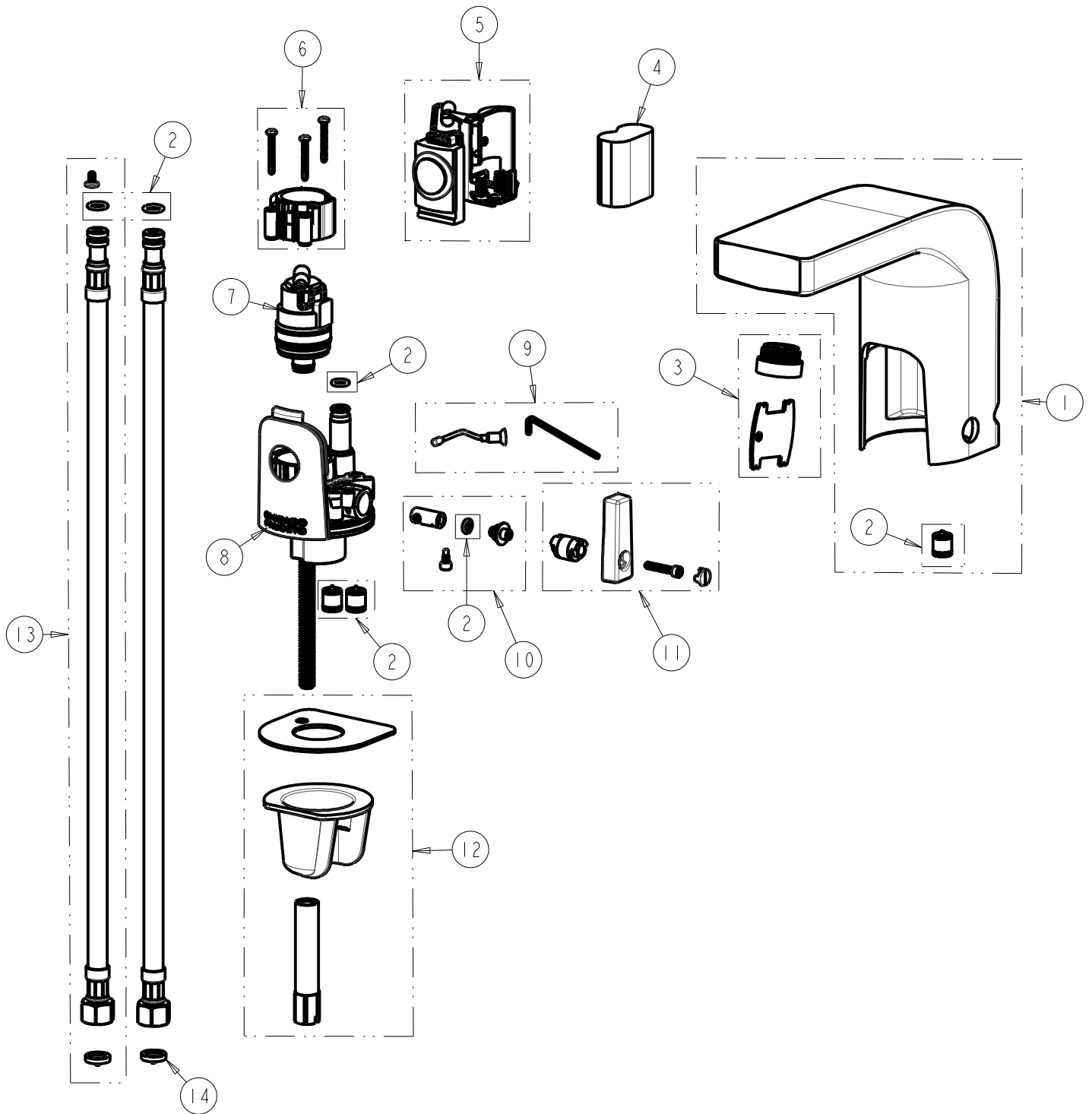
CHK: *MLC* REV: 11-06-12

FITTING NO.

116.878.AB.1

SUBMITTED MODEL NO.

ITEM NO.



ITEM	PART NO.	DESCRIPTION	ITEM	PART NO.	DESCRIPTION
1	242.797.AB.1	KIT, LAVATORY SPOUT	8	-----	BODY, NOT SOLD SEPARATELY
2	241.653.00.1	KIT, CHECK VALVES & O-RINGS	9	240.753.00.1	SHUT-OFF SCREW ASSEMBLY
3	570-064KJKCP	KIT, 2.2 GPM & 0.5 GPM VP OUTLET	10	242.844.AB.1	EXTERNAL MIXER REPAIR KIT
4	-----	6V LITHIUM BATTERY CR-P2 NOT SOLD	11	242.895.00.1	KIT, MIXER
5	242.433.00.1	KIT, AB MODULE & BATTERY HOLDER	12	242.835.00.1	KIT, DECK MOUNTING HARDWARE
6	242.432.00.1	KIT, AB BONNET	13	240.693.00.1	KIT, SS BRAIDED HOSE (QTY 1)
7	240.744.00.1	SOLENOID VALVE	14	3300-005JKNF	FILTER/SCREEN