

CHICAGO FAUCETS
 a Geberit company

2100 South Clearwater Drive
 Des Plaines, IL 60018
 Phone: 847-803-5000
 Fax: 847-803-5454
 www.chicagofaucets.com

REPAIR PARTS

BY: PT DATE: 06-24-10
 CHK: REV:

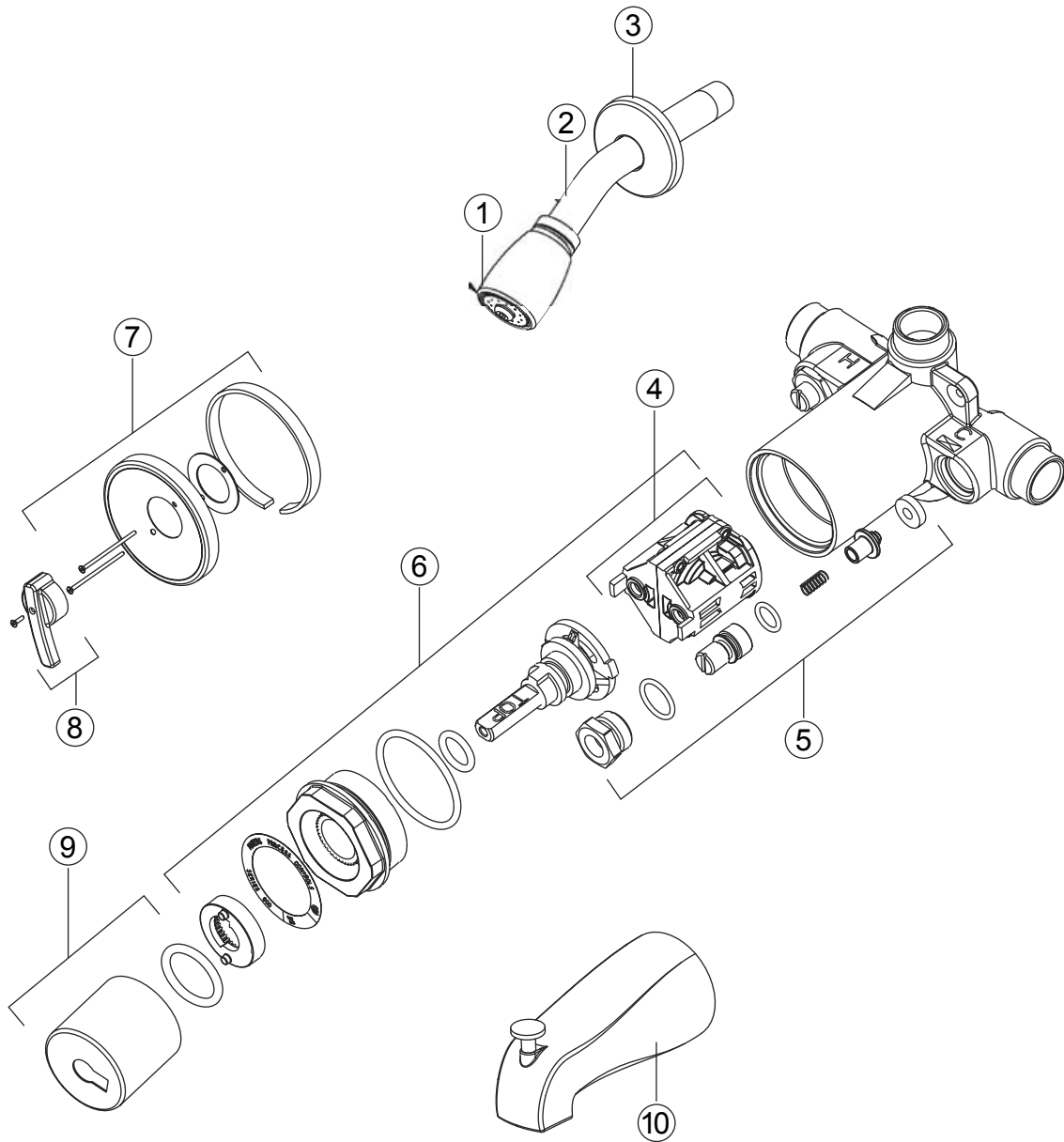
FITTING NO.

1900-CP

SUBMITTED MODEL NO.

ITEM NO.

FOR TECHNICAL ASSISTANCE
 1-800-TEC-TRUE (1-800-832-8783)



NO.	PART NO.	DESCRIPTION
1	620-CP	FOR PARTS SEE 620 SHOWERHEAD
2	415-021JKCP	SHOWER ARM
3	749-016JKCP	WALL FLANGE
4	1900-XJKNF	PB CARTRIDGE
5	1900-002JKNF	CHECK STOP REPAIR KIT
6	1900-006JKNF	PB VALVE REBUILD KIT
7	1900-007JKCP	PB FACEPLATE KIT
8	1900-008JKCP	PB HANDLE KIT
9	1900-009JKCP	PB SLEEVE KIT
10	749-S	TUB SPOUT