

CHICAGO FAUCETS
a Geberit company

2100 South Clearwater Drive
Des Plaines, IL 60018
Phone: 847-803-5000
Fax: 847-803-5454
www.chicagofaucets.com

REPAIR PARTS

FITTING NO.

50-GN2FC317XKABCP

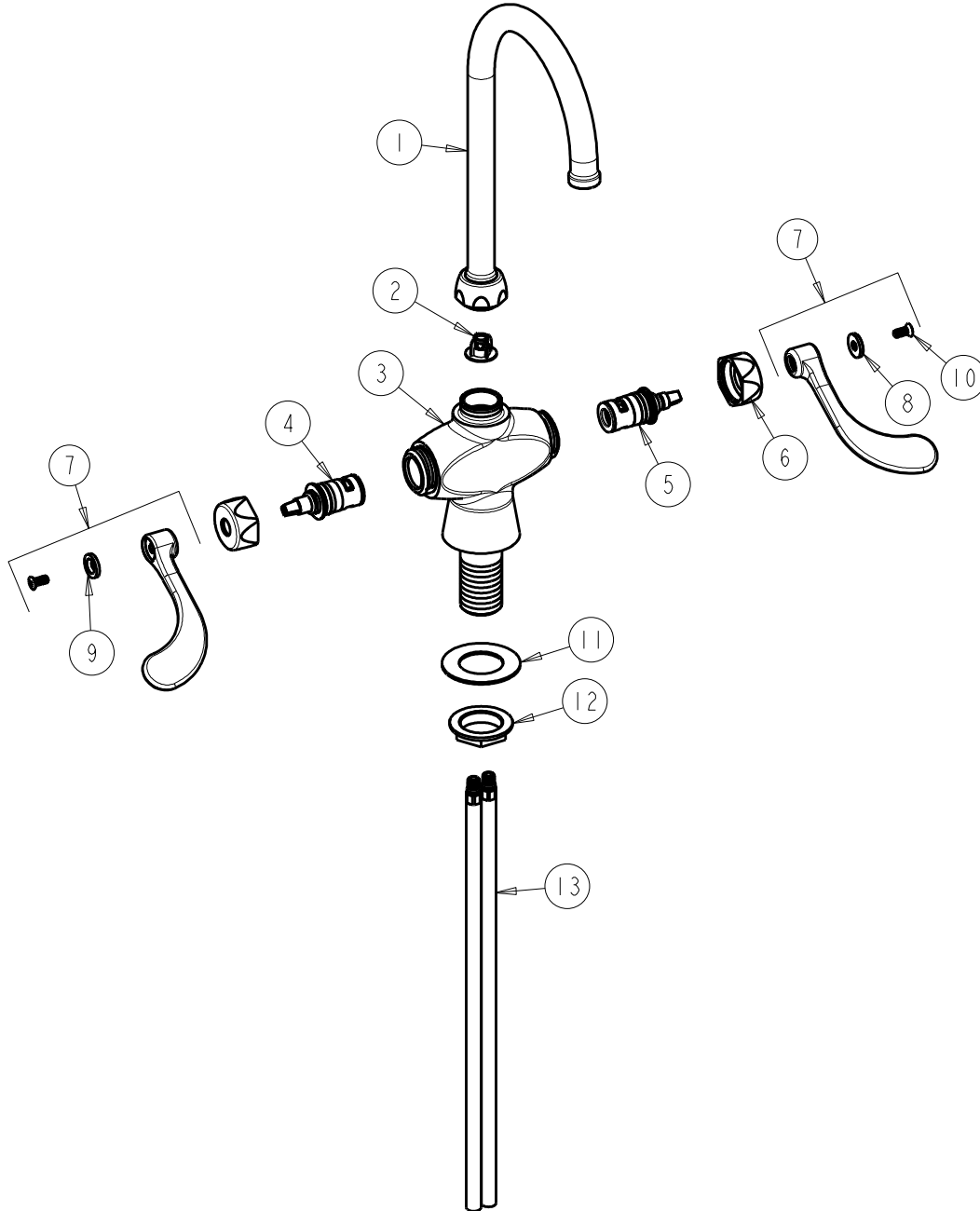
SUBMITTED MODEL NO.

ITEM NO.

FOR TECHNICAL ASSISTANCE
1-800-TEC-TRUE (1-800-832-8783)

BY: JAR DATE: 05-03-12

CHK: *JAR* REV:



| ITEM | PART NO. | DESCRIPTION | ITEM | PART NO. | DESCRIPTION |
|------|---------------|----------------------------------|------|--------------|-------------------------|
| 1 | GN2JKABCP | GN SPOUT PLAIN END | 8 | 633-123JKNF | INDEX BUTTON (BLUE) |
| 2 | 50-043KJKNF | FLOW CONTROL 1.5 GPM | 9 | 633-023JKNF | INDEX BUTTON (RED) |
| 3 | ----- | VALVE BODY (NOT SOLD SEPARATELY) | 10 | 420-010JKRCF | SCREW, 10-32 UNC PH 1/2 |
| 4 | 1-100XKJKABNF | LH CERAMIC CARTRIDGE 1/4 | 11 | 50-014JKNF | STEEL WASHER |
| 5 | 1-099XKJKABNF | RH CERAMIC CARTRIDGE 1/4 | 12 | 50-003JKRBF | LOCKNUT |
| 6 | 444-005JKCP | CAP | 13 | 50-101KJKNF | SUPPLY TUBE ASSEMBLY |
| 7 | 317-PRJKCP | HANDLE, 4" WRISTBLADE (PAIR) | | | |