

CHICAGO FAUCETS
a Geberit company

2100 South Clearwater Drive
Des Plaines, IL 60018
Phone: 847-803-5000
Fax: 847-803-5454
www.chicagofaucets.com

REPAIR PARTS

FITTING NO.

752-VOCCP

SUBMITTED MODEL NO.

BY: SID

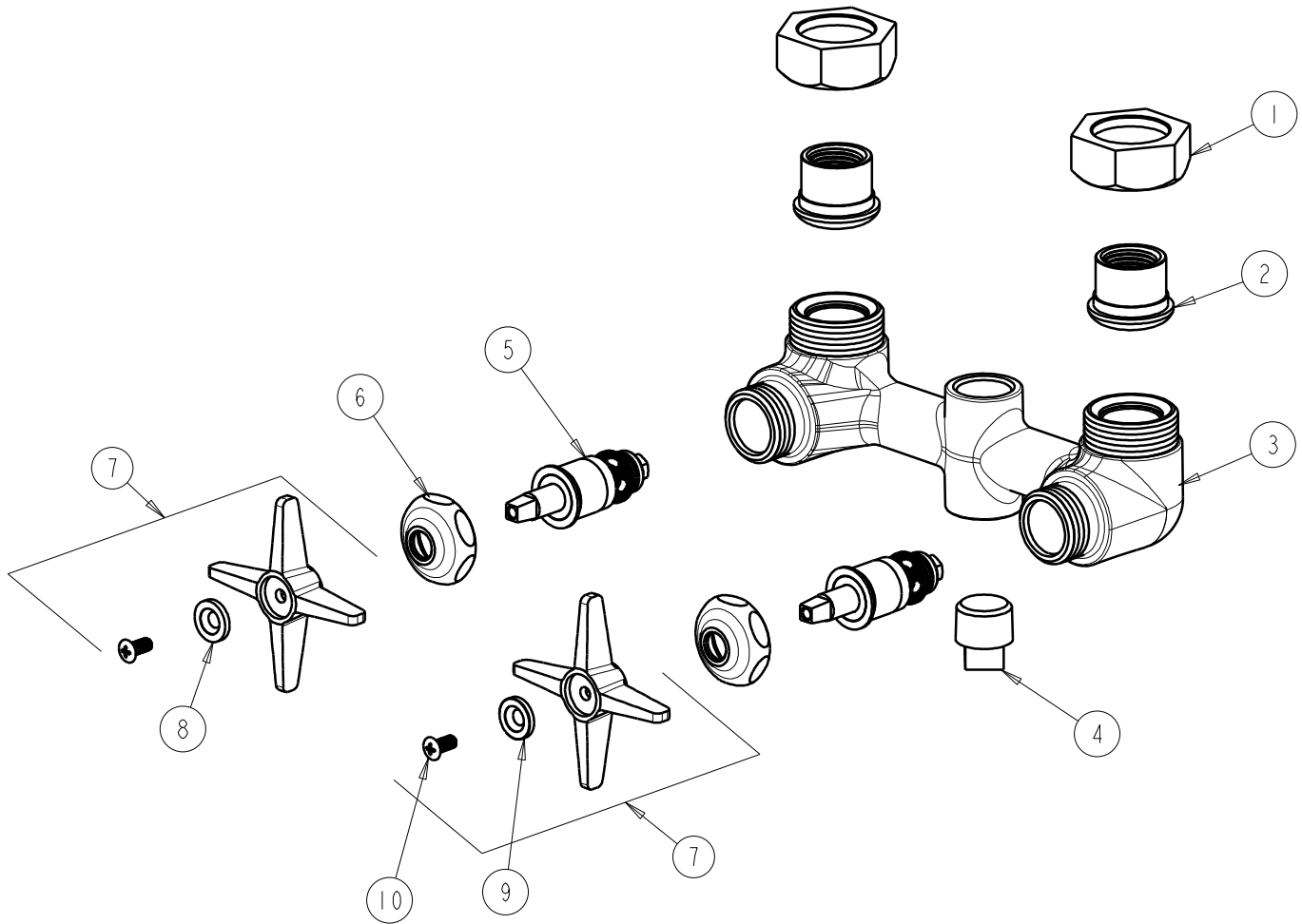
DATE: 08-05-09

CHK: *[Signature]*

REV:

ITEM NO.

FOR TECHNICAL ASSISTANCE
1-800-TEC-TRUE (1-800-832-8783)



ITEM	PART NO.	DESCRIPTION	ITEM	PART NO.	DESCRIPTION
1	177-002JKCP	UNION NUT	6	1-214JKCP	CAP
2	177-003JKCP	UNION TAILPIECE	7	633-PRJKCP	4-ARM HANDLE ASSEMBLY
3	—	VALVE BODY	8	633-023JKNF	INDEX BUTTON (RED)
4	234-032JKRCF	1/2 NPT PLUG	9	633-123JKNF	INDEX BUTTON (BLUE)
5	217-XTLHJKNF	CARTRIDGE, SLO-COMPRESSION	10	420-010JKRCF	SCREW, 10-32 UNC PH 1/2