

**CHICAGO FAUCETS**  
a Geberit company

2100 South Clearwater Drive  
Des Plaines, IL 60018  
Phone: 847-803-5000  
Fax: 847-803-5454  
www.chicagofaucets.com

**REPAIR PARTS**

FITTING NO.

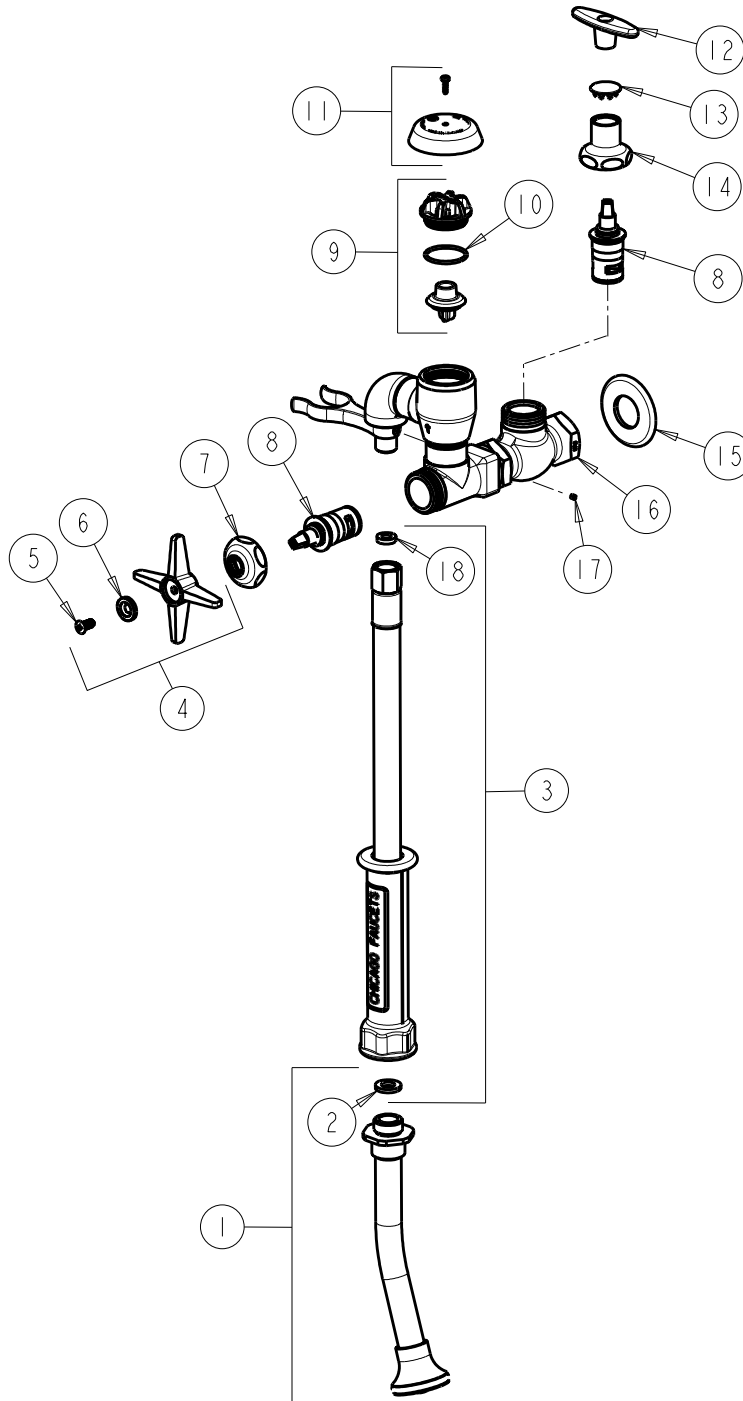
**809-XKCP**

SUBMITTED MODEL NO.

ITEM NO.

**FOR TECHNICAL ASSISTANCE**  
1-800-TEC-TRUE (1-800-832-8783)

BY: SID DATE: 03-31-11  
CHK: *[Signature]* REV:



ITEM	PART NO.	DESCRIPTION	ITEM	PART NO.	DESCRIPTION
1	777-019JKCP	SPRAY, ANGLED NOZZLE W/ WASHER	10	80-007JKNF	O RING 0.989 X .070
2	-----	GASKET, .67 X .35 X .09	11	892-254JKCP	VACUUM BREAKER COVER w/SCREW
3	739-053KJKNF	HOSE, WHITE VINYL 53" W/ WASHERS	12	293-006JKRCF	TEE HANDLE & SCREW
4	633-COLDJKCP	4-ARM CROSS HANDLE ASSEMBLY	13	1-144JKCP	BUTTON
5	420-010JKRCF	SCREW, 10-32 UNC PH 1/2	14	1-246JKCP	NUT, CAP LOOSE KEY 1-1/8-18 UNEF
6	633-123JKNF	INDEX BUTTON (BLUE)	15	417-019JKCP	FLANGE, 1.94 X .88 X .11
7	1-214JKCP	CAP	16	-----	VALVE BODY (NOT SOLD SEPARATELY)
8	1-100XKJKNF	LH CERAMIC CARTRIDGE 1/4	17	777-013JKNF	SCREW, SET 6-32 X 1/8
9	892-302KJKNF	VACUUM BREAKER REPAIR KIT	18	739-051JKNF	GASKET, 1/2 X 1/4 X 1/8