

CHICAGO FAUCETS
a Geberit company

2100 South Clearwater Drive
Des Plaines, IL 60018
Phone: 847-803-5000
Fax: 847-803-5454
www.chicagofaucets.com

REPAIR PARTS

FITTING NO.

943-317CP

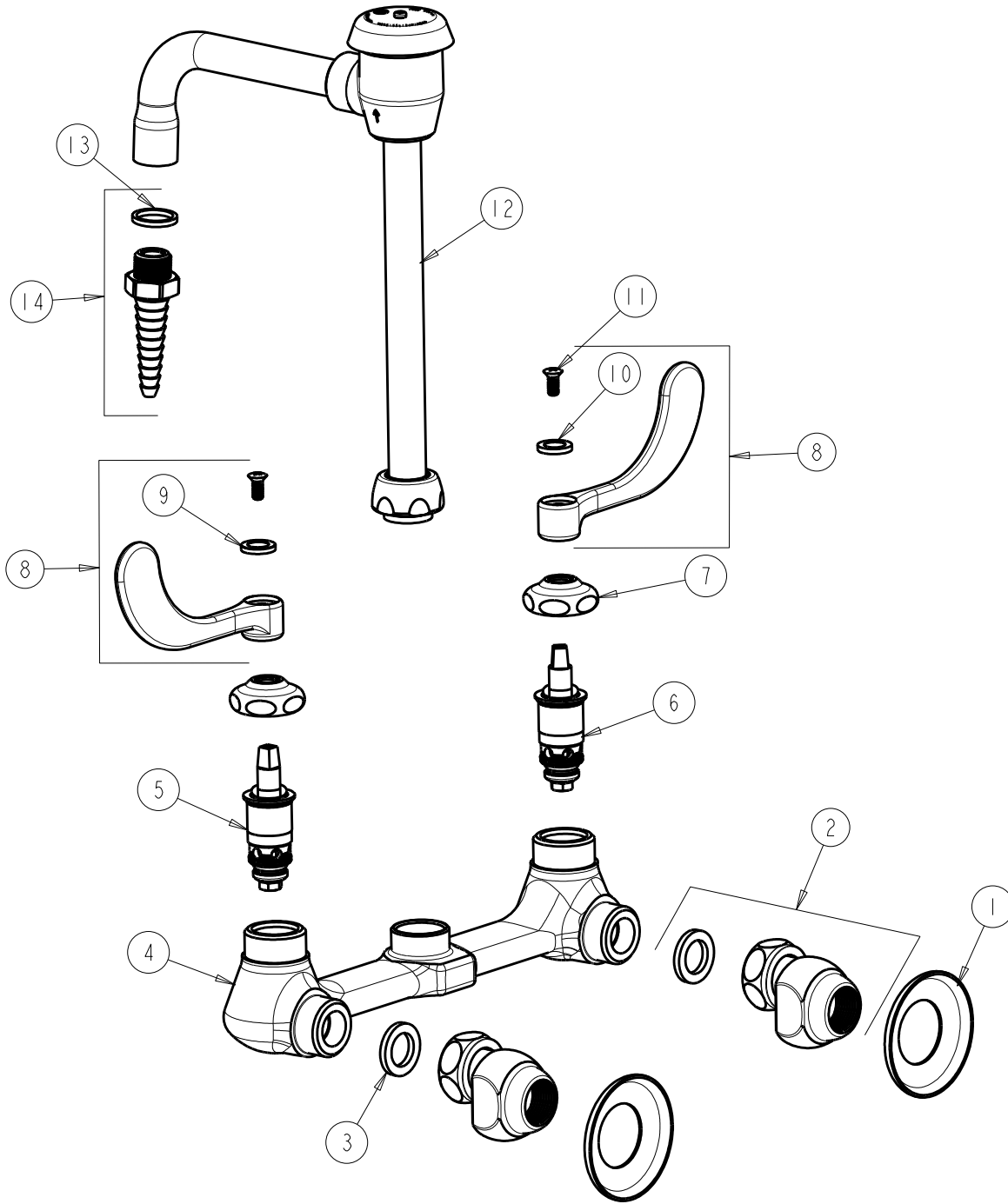
SUBMITTED MODEL NO.

ITEM NO.

FOR TECHNICAL ASSISTANCE
1-800-TEC-TRUE (1-800-832-8783)

BY: SID DATE: 12-08-10

CHK: *[Signature]* REV:



ITEM	PART NO.	DESCRIPTION	ITEM	PART NO.	DESCRIPTION
1	1-055JKCP	FLANGE	9	633-123JKNF	INDEX BUTTON (BLUE)
2	GJKCP	'G' ARM (INCLUDES WASHER)	10	633-023JKNF	INDEX BUTTON (RED)
3	1-011JKNF	WASHER, .97 X .62 X .12	11	420-010JKRCF	SCREW, 10-32 UNC PH 1/2
4	—	VALVE BODY (NOT SOLD SEPARATELY)	12	GN2BVBKCP	VACUUM BREAKER SWING SPOUT
5	1-099XTJKNF	QUATURN UNIT (RH)	13	229-003JKNF	WASHER
6	1-100XTJKNF	QUATURN UNIT (LH)	14	E7JKCP	SERRATED HOSE NOZZLE
7	1-214JKCP	CAP			
8	317-PRJKCP	HANDLE, 4" WRISTBLADE (PAIR)			