

**Specification: (example)**

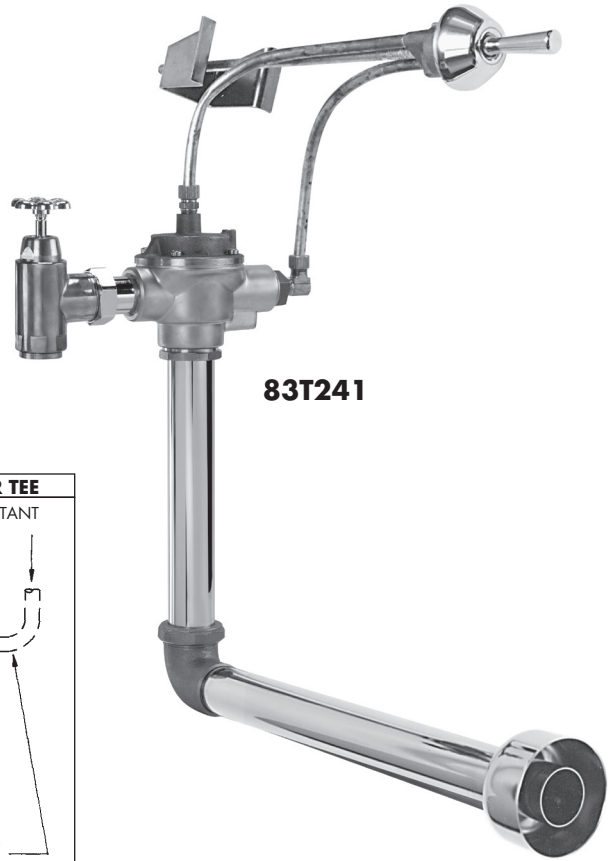
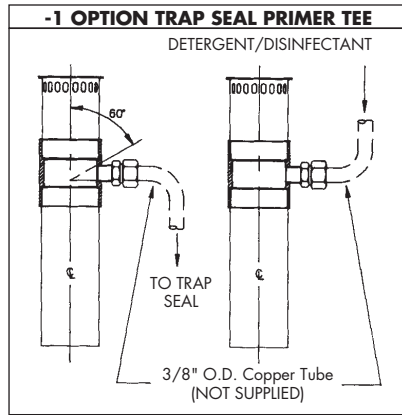
**(FOR 1-1/2" FREE-STANDING, BACK INLET CLOSET FIXTURE)**

- Quiet action, TECK® concealed diaphragm flush valve
- Chloramine resistant diaphragm
- Forged brass diaphragm retainer
- Renewable seat
- **External water conserving flush volume adjustment,** (except -48 and -6 models) factory set at 60 PSI to 6 litre (1.6 US gal.)
- Metal "non hold open" handle actuator
- Vandal resistant handle control can easily be located and installed anywhere within 6m (20') of flush valve
- Standard flush valve will install on all walls zero to 343mm (13-1/2") thick
- **1" FIP/copper sweat inlet adaptor** wheel handle angle check stop
- Adjustable 121mm (4-3/4") plus or minus 11 mm (7/16") inlet/valve outlet centers
- Vacuum breaker
- Wall and spud flanges, concealed sput nut

- 83T240** with 16mm (5/8") dia. push button
- 83T241** with oscillating handle
- 83T243** with 35mm (1-3/8") dia. push button

**OPTIONS: (Add dash number to end product required above.)**

- 1 Trap seal primer tee.
- 6 Factory set 6 litre (1.6 US gal.) flush **Not Field Adjustable**
- 48 Factory set 4.8 litre (1.27 US gal.) flush **Not Field Adjustable**

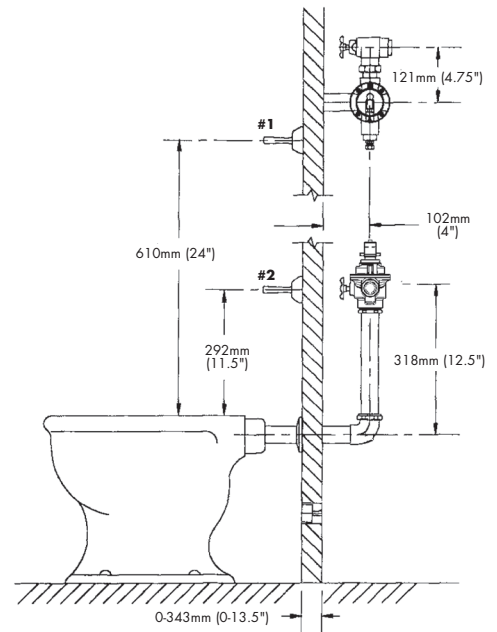
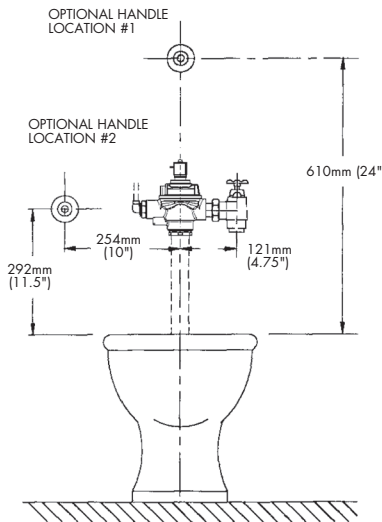


**83T241**



**Approvals:**

- CSA certified
  - Complies to ASSE 1037
  - Oscillating Lever Handle ADA compliant and meets Handicapped Accessibility Standard ASME A117.1 of less than 5 lbs. operating force.
- (Contact Delta Representative for State and/or Local Approvals.)



**Engineer/Architect Approval**

Model Specified:

Approval:

Date:

Note: Measurements may vary ± 6mm (0.25")

Note: For high and low pressure applications, please see page FEA-81T High Water Pressure note for more details. Verify flow requirements with bowl manufacturer.