

Concealed TECK® Flush Valve

**TECK®
COMMERCIAL**

DELTA®

Specification: (example)

(FOR 1-1/2" WALL HUNG BACK INLET CLOSET FIXTURE)

- Quiet action, TECK® concealed diaphragm flush valve
- Chloramine resistant diaphragm
- Forged brass diaphragm retainer
- Renewable seat
- **External water conserving flush volume adjustment**, (except -48 and -6 models) factory set at 60 PSI to 6 litre (1.6 US gal.)
- "Non hold open" metal handle actuator
- Vandal resistant handle control can easily be located and installed anywhere within 6m (20') of flush valve
- Standard flush valve will install on all walls zero to 343mm (13-1/2") thick
- **1" FIP/copper sweat inlet adaptor** wheel handle angle check stop
- Adjustable 121mm (4-3/4") plus or minus 11mm (7/16") inlet/valve outlet centers
- Vacuum breaker

- **83T140**
with 16mm (5/8") dia. push button

- **83T141** 
with oscillating handle

- **83T143**
with 35mm (1-3/8") dia. push button

(FOR BACK INLET PRISON FIXTURE)

- **83T000**
Same as 83T140 with 16mm (5/8") dia. push button BUT with 1-1/2" MIP on outlet tube for Prison Fixture installation

OPTIONS: (Add dash number to end product required above.)

- 1 Trap seal primer tee
- 6 Factory set 6 litre (1.6 US gal.) flush
Not Field Adjustable
- 48 Factory set 4.8 litre (1.27 US gal.) flush
Not Field Adjustable



Approvals:

- CSA certified
- Complies to ASSE 1037
- Oscillating Lever Handle ADA compliant and meets Handicapped Accessibility Standard ASME A117.1 of less than 5 lbs. operating force.

(Contact Delta Representative for State and/or Local Approvals.)

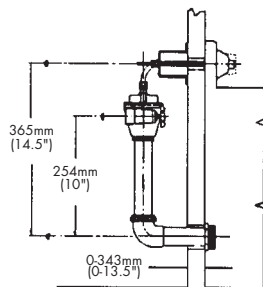
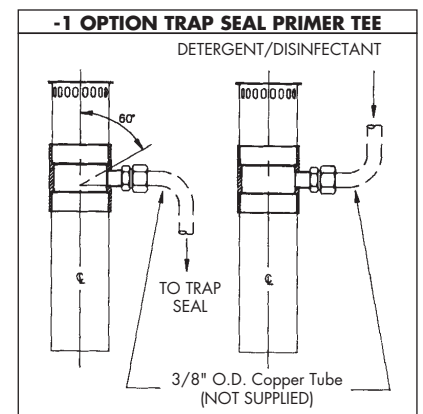
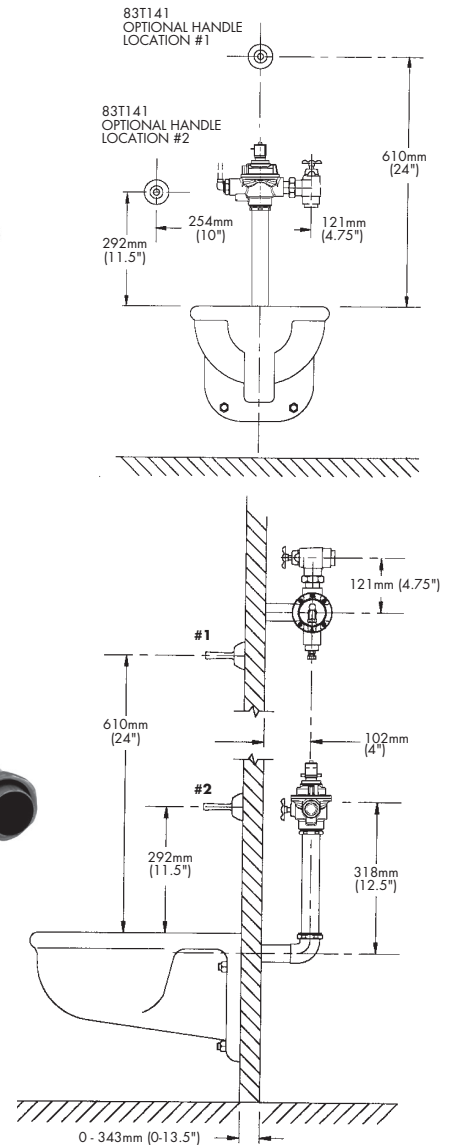
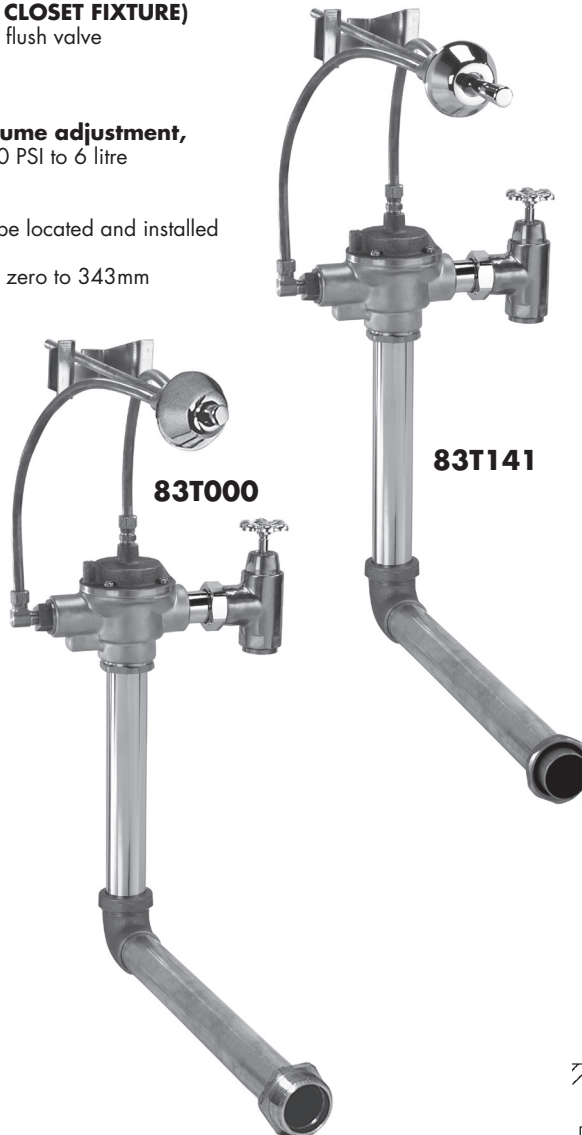
Engineer/Architect Approval

Model Specified:

Approval:

Date:

Note: Measurements may vary ± 6mm (0.25")



Note: For high and low pressure applications, please see page FEA-81T High Water Pressure note for more details.

Verify flow requirements with bowl manufacturer.