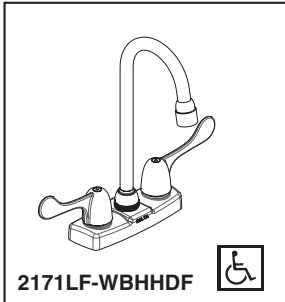


Bar & Prep Sink Faucets

HDF[®]
COMMERCIAL



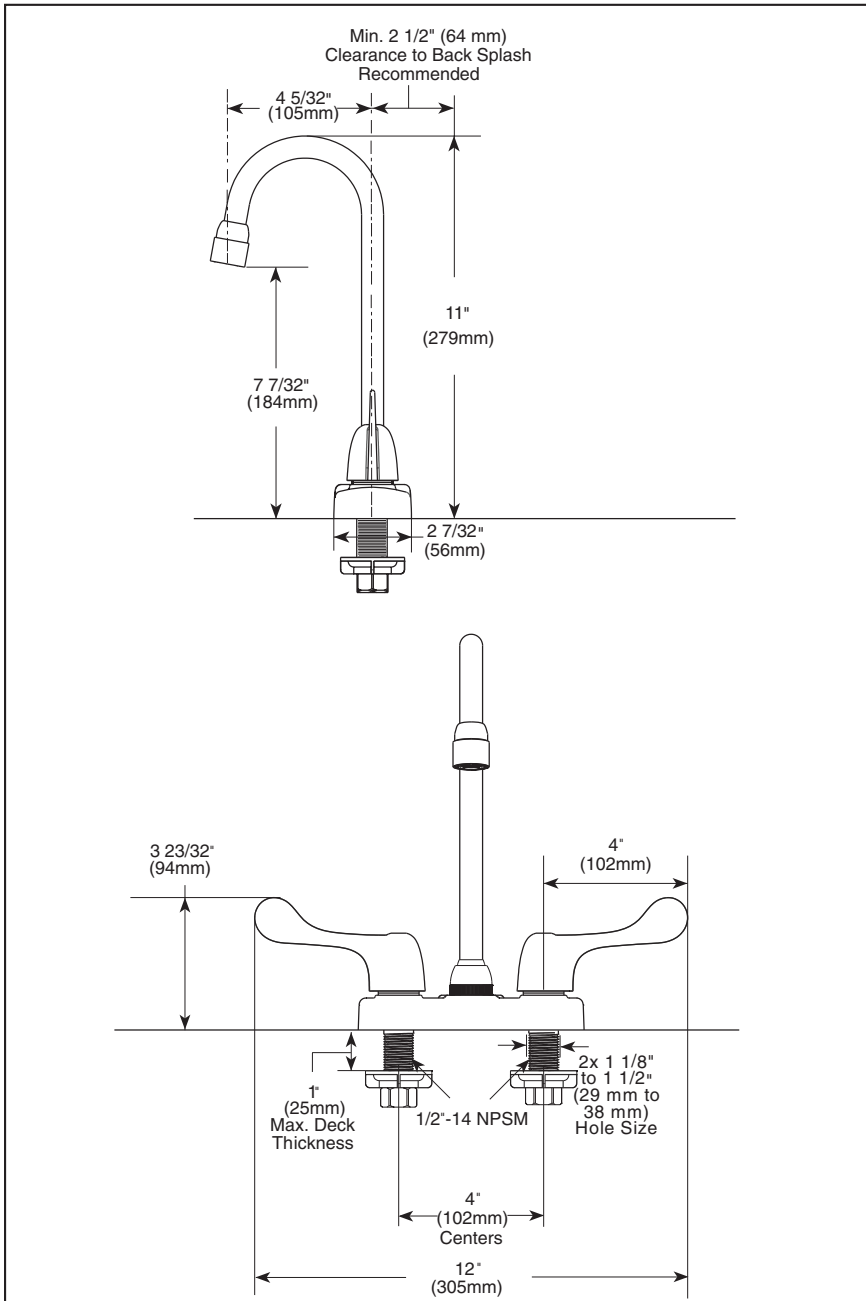
- Two Handle Deck Mount
- 2 and 3 Hole Sink Applications
- 4" (102 mm) Centerset

STANDARD SPECIFICATIONS:

- Solid brass fabricated body.
- 4" (102 mm) centerset.
- 4 5/32" (105 mm) long, 11" (279 mm) high spout, swings 360°.
- Solid brass cast body.
- Two handle bar sink faucet for exposed mounting on 2 and 3 hole sinks with 4" centers.
- All operating parts are replaceable from the top.
- Hot and cold stems are interchangeable.
- 1/2"-14 NPSM threaded male inlet shanks.
- Control mechanism is a rotating cylinder type with stainless steel plate and 90° rotating, with replaceable non-metallic seats.
- 1.5 gpm (5.7 L/min) max. flow rate @ 60 psi.

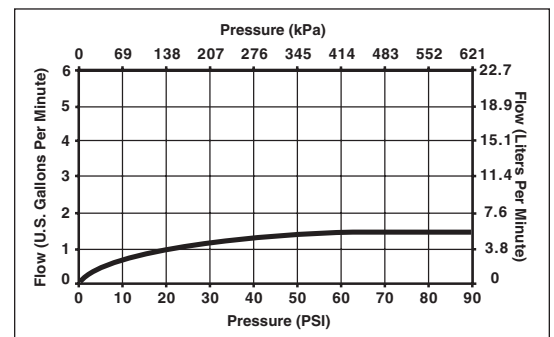
Submitted Model No.: _____

Specific Features: _____



COMPLIES WITH:

- ASME A112.18.1 / CSA B125.1
- Indicates ADA compliance to ICC/ANSI A117.1
- Verified compliant with .25% weighted average Pb content regulations.



Delta reserves the right (1) to make changes in specifications and materials, and (2) to change or discontinue models, both without notice or obligation. Dimensions are for reference only. See current full-line price book or www.specselect.com for finish options and product availability.

