

204499



6 _ _ T _ _ 0

Write purchase model number here for future reference

204499

204499

204499

204499

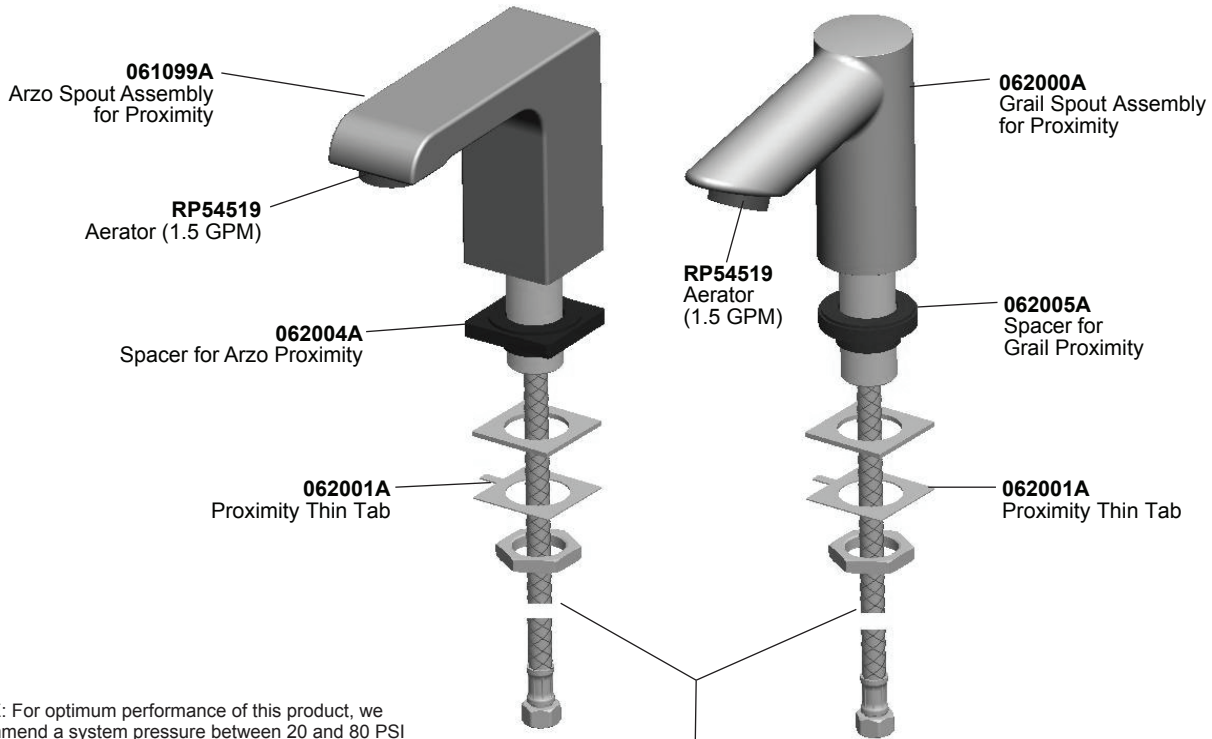
204499

204499

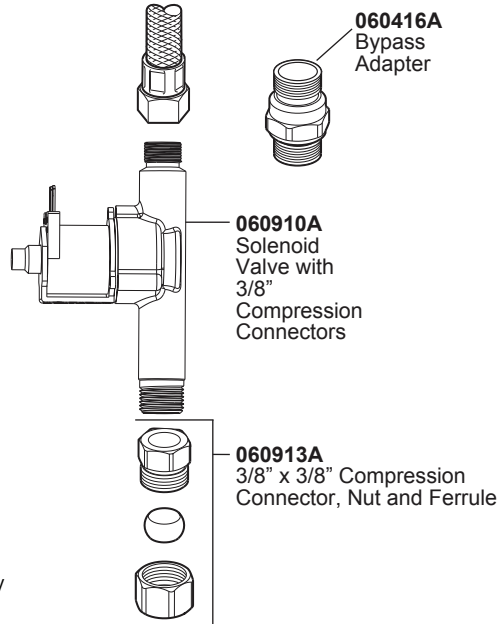
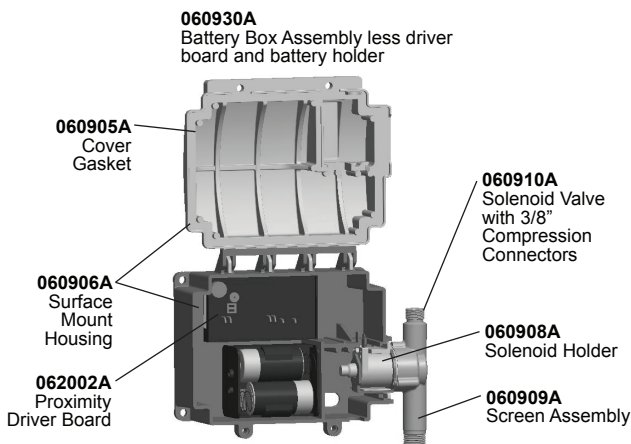
204499

204499

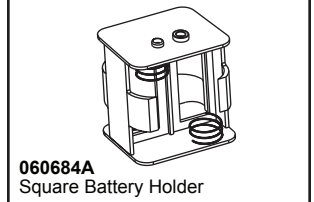
204499



NOTE: For optimum performance of this product, we recommend a system pressure between 20 and 80 PSI static. This product will operate up to a maximum of 125 PSI static per ANSI and CSA requirements. However, we do not recommend pressure above 80 PSI. Thermal expansion or leaking pressure reducing valves may require use of expansion tanks or relief valves to ensure your system never exceeds its maximum intended pressure setting.



OPTION LIST



TRANSFORMERS

- 060704A**
Transformer 110 to 24 VAC 20VA up to 5 Electronic Valves
- 060771A**
Transformer 110 to 24 VAC 40VA up to 10 Electronic Valves
- 060772A**
Transformer 110 to 24 VAC 100VA up to 25 Electronic Valves

060416A Bypass Adaptor	060683A 24 VAC to 6 VDC Converter
----------------------------------	---

PLEASE LEAVE this M&I Sheet with the owner, maintenance plumber, etc. as items relating to ongoing maintenance suggestions and procedures are included.

Installation should be in accordance with local plumbing and electrical codes.
FLUSH ALL PIPES THOROUGHLY BEFORE INSTALLATION.

INSTALLATION AND SET UP INSTRUCTIONS

STEP 1. FAUCET INSTALLATION

Mount faucet to sink using the provided components in the following order - washer, thin capacitance tab, lock nut (Fig. 1). **NOTE: Black rubber spacer must be used at all times between the spout and countertop.** The use of clear silicone sealant between the rubber spacer and lavatory is not required.

STEP 2. BATTERY BOX INSTALLATION

Mount battery box to wall under sink using the 4 supplied screws and anchors. Use 1/4" drill for wall anchors. **Be sure to install the box within the dimensions provided so the hose and sensor cable will reach connections at faucet and battery box.** Refer to illustration (Fig. 2).

STEP 3. FLUSH SYSTEM

To flush supply line, assemble these components as shown (Fig. 3) and run water for one minute. Shut off water supply. Attach aerator. **NOTE:** Do not connect supply to the solenoid inlet until line is flushed directly out spout.

STEP 4. CONNECT WATER SUPPLY

Disassemble the components, reassemble the ones shown here (Fig. 4) supply line and adapter to the bottom fitting on solenoid, polymer braided spout hose to the top fitting on solenoid. Use Teflon® tape where indicated on adapter. Turn on water supply. **DO NOT SOLDER CONNECTIONS.**

STEP 5. CONNECT PROXIMITY™ SENSOR

Run the white sensor wire along the polymer braided hose up to the underside of the countertop (Fig. 2). Attach the female spade terminal to the thin capacitance tab (Fig. 5). **ENSURE A TIGHT CONNECTION IS MADE.** Use tie wraps to bind the white sensor wire along the polymer braided hose back to the control box (Fig. 2).

STEP 6. PREPARE SINK AREA

Before connecting the power - clean off counter and remove all objects from the sink.

STEP 7a. CONNECT POWER

IMPORTANT: ENSURE THAT WATER SUPPLY IS ON BEFORE PROCEEDING. WHEN POWER IS FIRST APPLIED TO THE DRIVER BOARD, THE INSTALLER MUST IMMEDIATELY STEP BACK AT LEAST 3 FEET FROM THE PROXIMITY SPOUT IN ORDER TO ALLOW THE UNIT TO PROPERLY CALIBRATE.

BATTERY VERSION: Open the control box. Connect battery clip to battery pack. Install four "C" batteries provided into the battery holder. An ascending beep tone will be generated when power is first applied to the unit. **At this stage, step back at least 3 feet from the control box and spout in order to allow for proper calibration.** Do not secure the lid until after calibration.

HARDWIRE VERSION: Install CSA and/or UL approved Class 2 transformer or equivalent in a convenient location or in a pipe chase. **(Do NOT install the transformer inside the control box.)** With the power off, bring the 24 VAC supply wires to the box. Connect the 24 VAC supply to the 060683A conversion kit (see page 1). Connect the battery snap of the hardwire converter to the driver board battery clip. Turn on power supply for the transformer. An ascending beep tone will be generated when power is first applied to the unit. **At this stage, step back at least 3 feet from the control box and spout in order to allow for proper calibration.** Do not secure the lid until after calibration.

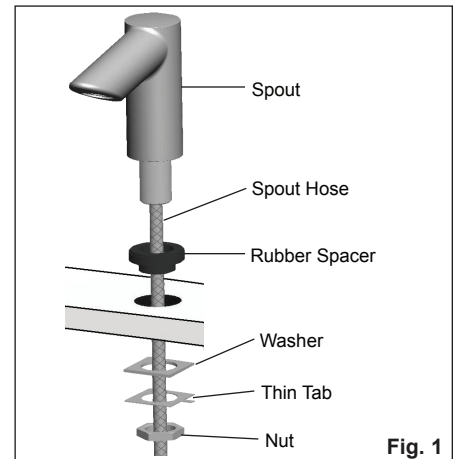


Fig. 1

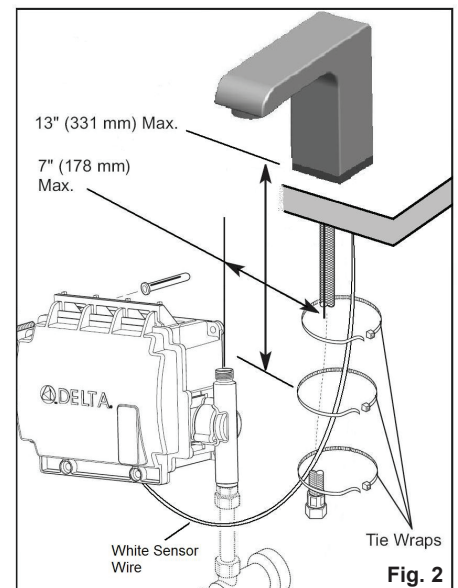


Fig. 2

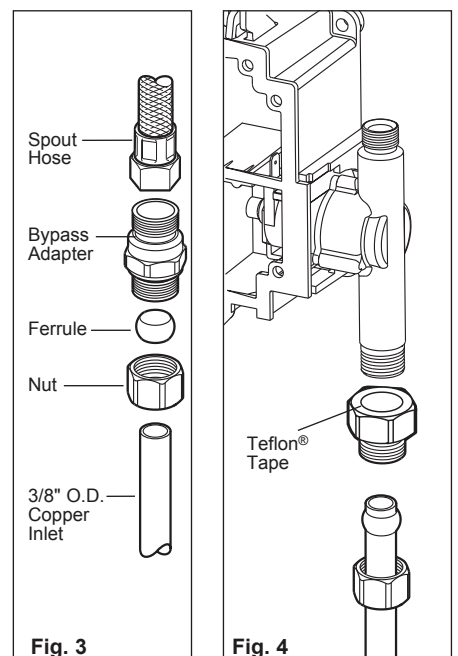


Fig. 3

Fig. 4

Installation should be in accordance with local plumbing and electrical codes.
FLUSH ALL PIPES THOROUGHLY BEFORE INSTALLATION.

INSTALLATION AND SET UP INSTRUCTIONS

STEP 7b. CALIBRATION

After power is applied to the driver board, it generates an ascending beep tone which prompts the installer to step away from the unit. During this process the water will turn ON and OFF on its own as the unit undergoes calibration. Please allow up to 30 seconds for the unit to calibrate itself to its new environment.

STEP 8. TEST FOR OPERATION

Test for operation. If OK, then close lid - **Use caution not to damage wires or components on electronic driver board. See Fig 6.** Secure lid using screws. If faucet leaks from spout outlet: SHUT OFF WATER SUPPLIES. Check proper solenoid connection. Replace solenoid if problem persists. If faucet exhibits very low flow: A) Remove and clean Spray Outlet or B) SHUT OFF WATER SUPPLY. Clean or replace Screen Assembly (2). If unit does not work properly, see Trouble Shooting Guide on page 5.

STEP 9. BASIC OPERATION AFTER CALIBRATION

Proximity™ sensing technology works by creating an electrical field around a conductor (the spout) and monitoring the change in capacitance that the conductor undergoes. The change in capacitance (the ability to store an electrical charge) is brought on by a 2nd conductor (a human body) entering the Proximity™ field. As the human hand enters and leaves the vicinity of the electrical field around the spout, the solenoid is opened and closed accordingly. It is critical in the installation process that all electrical and mechanical connections be as tight and rigid as possible, ensuring a smooth signal is carried from the driver board to the spout, and back again.

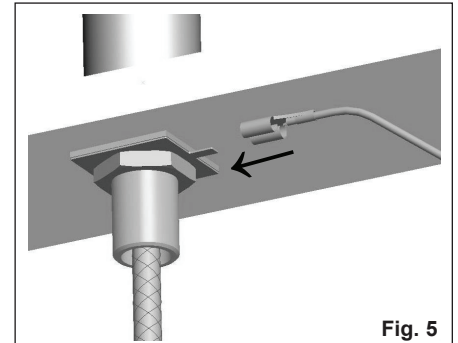
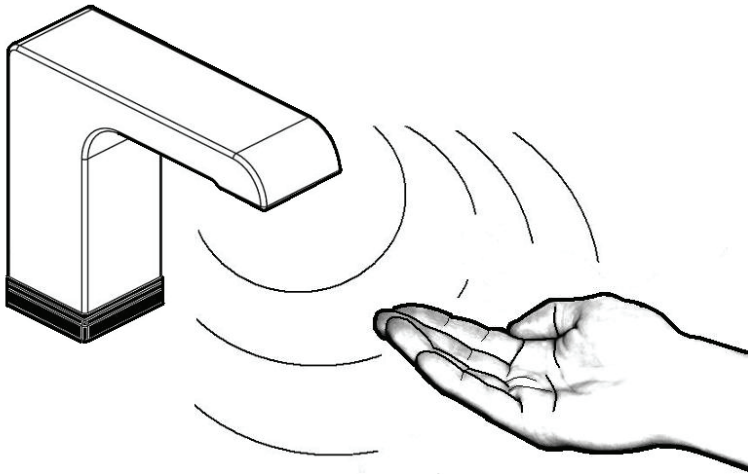


Fig. 5

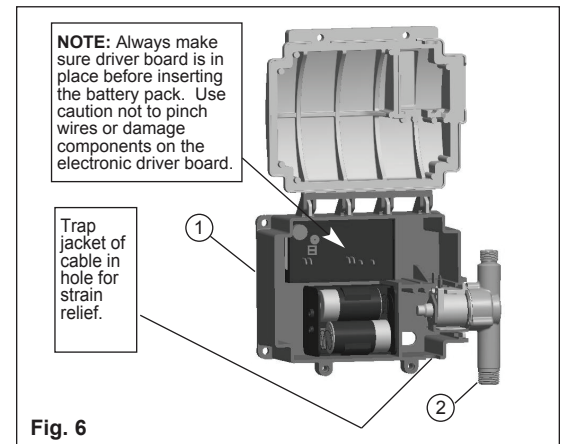


Fig. 6

Upon calibration, test the function of the product by placing your hands within close proximity of the spout. The solenoid will open, then close once hands are removed from the sensing zone.

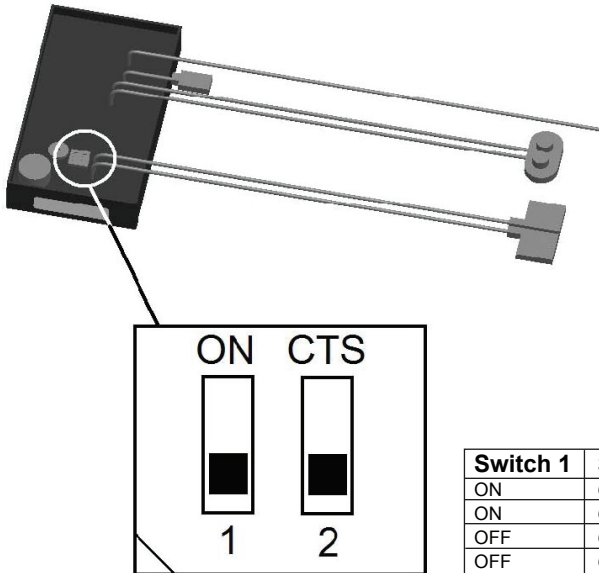
**Installation should be in accordance with local plumbing and electrical codes.
FLUSH ALL PIPES THOROUGHLY BEFORE INSTALLATION.**

INSTALLATION AND SET UP INSTRUCTIONS

STEP 10. MAKING ADJUSTMENTS

Since some sink types (i.e. stainless steel) are made of a conductive material, and some installations may be near other foreign conductive materials, adjustments to the sensitivity of the electrical field may be required to ensure a consistent operation. If you find that after ensuring all electrical and mechanical connections are firm and rigid that the product is still not performing consistently, the default sensitivity settings of the driver board may be adjusted. Follow these steps to make sensitivity adjustments.

1. Turn off the power to the driver board by disconnecting the driver board from the battery pack or hardwire converter.
NOTE: When disconnecting power - grab the battery connection and wait at least one second before disconnecting the power. When the battery connection is touched, it trips the electronics and turns on the solenoid. Waiting for at least one second before disconnecting the power will allow the electronics to reset themselves and shut off the solenoid.
2. Locate the sensitivity selector switch located on the driver board (Fig. 7).
3. Using a finger or small screwdriver, gently set the sensitivity level one step down from its current position. Use the sensitivity selection chart (Fig. 7) to ensure the correct setting is chosen.
4. Once the selection has been made, re-apply power to the driver board and allow for calibration as per **Step 7a and 7b**.
5. Test for operation and repeat steps 1-4, if necessary.



Sensitivity Levels:

As a rule of thumb, the High sensitivity level will produce a sensing range of approximately 4.0". The Low sensitivity level will reduce the electrical field so much so that the spout must be touched in order to operate.

NOTE: Fig. 7 depicts a driver board with the LOW Sensitivity setting selected.

Fig. 7

CARE INSTRUCTIONS

This Delta Commercial faucet is designed and engineered in accordance with the highest quality and performance standards. With proper care, it will give you years of trouble free service. Care should be given to the cleaning of this product. Although the chrome finish is extremely durable, it can be **DAMAGED** by **ACIDIC CLEANERS** (i.e., cleaners designed specifically for vitreous china lavatories and water closets), **HARSH ABRASIVES** or **POLISH**. To clean, simply wipe the surface with a damp cloth and blot dry with a soft towel.

TROUBLE SHOOTING GUIDE

If the faucet does not work properly, follow the steps below in order.

Step 1	Check to ensure faucet was installed according to the M&I sheet. Test for operation. If unit does not operate: If faucet shuts off due to interference:	Note: See instructions on pages 1 to 4. Check to be sure that white sensor wire is firmly connected to the thin capacitance tab, and that the nut and washer are firmly connected to the underside of the counter top. See Fig. 1 on page 2. Check to be sure power cable is properly secured in fitting. Check to be sure batteries are fresh and properly installed. Check two wires to solenoid to be sure they are connected correctly. Check to be sure water supply is turned on. When the faucet detects an object for longer than 45 seconds, or if faucet self-cycles for 4 times within 15 seconds, it will automatically shut off. This will be followed by 3 quick beeps which indicate that calibration is about to take place. The faucet will then enter calibration per step 7b. Once calibration takes place (with no user present) the faucet will return to regular operation.	
	Faucet makes a beeping noise. (Different from re-calibration in step 1): Continuous beeping tone upon power-up:	BATTERY POWERED: Faucet beeps twice when turning off: indicates batteries are low and need to be replaced (1500 cycles or 2 weeks left). Faucet beeps continuously when hands in front of spout and no water: faucet locked out because batteries are too low. HARDWIRE: Check voltage from converter and transformer. It should be approximately 6.4 volts DC coming from converter to the driver board. BATTERY POWERED: Check to ensure all batteries are inserted correctly. HARDWIRE: Check voltage from converter to transformer.	Replace batteries. Replace batteries. Replace Hardwire converter 060683A, if required. Ensure battery polarities are correct and that voltage is sufficient - around 6 volts.
Step 3	The faucet stops working. No water flow. Check the function of the solenoid.	The solenoid should "click" when activated.	
	If there is a clicking sound:	This indicates that both the sensor and the solenoid are functioning.	
		Ensure inlet screen on solenoid is not plugged with debris.	Clean as required.
		Check the incoming water supply. Turned on, proper pressure and volume, etc.	Correct as required.
If no clicking sound:	Check for a pressure lock between the mixing valve and the solenoid. Turn off the water supply and undo the connection to the inlet of the solenoid, this will eliminate any built-up pressure. Then activate sensor and test fire the solenoid. If after above there is no clicking sound; Defective solenoid.		
Step 4	If faucet does not activate or works erratically:	Check for electrical interference. Check for interference from other electrical devices within close proximity to the spout or battery box. Devices such as other infrared devices, transformers, etc. Excessive water on the counter top may lead to an overly sensitive faucet. Wipe water off, re-calibrate the faucet. Re-calibrate the unit by disconnecting the batteries for 10 seconds, then reconnecting. Follow steps 7a and 7b of the Installation and Set-Up Instructions.	Call Technical Service if any such conditions found. 1-800-387-8277.
	Water runs non stop when batteries are disconnected:	BATTERY and HARDWARE POWERED: When battery connection is touched, it trips the electronics and turns on the solenoid.	When disconnecting the power, grab the battery clip and wait for at least one full second before disconnecting it. Solenoid will shut off after power disconnected.
Step 5	If after completion of all above steps, the valve still does not function correctly; Call Technical Service for further assistance at 1-800-387-8277.		

Delta Commercial Faucet Limited Warranty

All parts of the Delta® HDF® and TECK® faucets are warranted to the original consumer purchaser to be free from defects in material, finish and workmanship for a period of five (5) years unless otherwise specifically stated in the catalogue and price book. This warranty is made to the original consumer purchaser and shall be effective from date of purchase as shown on purchaser's receipt.

Delta will, at its option, repair or replace, FREE OF CHARGE, during the warranty period, any part which proves defective in material or workmanship under normal installation, use and water and service conditions. If Delta Faucet concludes that the returned part was manufactured by Delta Faucet and is, in fact, defective, then Delta Faucet will honour the warranty stated herein. Replacement parts can be obtained from your local dealer or distributor listed in the telephone directory or by returning the part along with the purchaser's receipt to our factory, TRANSPORTATION CHARGES PREPAID, at the address listed. THIS WARRANTY IS THE ONLY EXPRESS WARRANTY MADE BY DELTA. ANY CLAIMS MADE UNDER THIS WARRANTY MUST BE MADE DURING THE FIVE YEAR PERIOD REFERRED TO ABOVE. ANY IMPLIED WARRANTIES, INCLUDING THE IMPLIED WARRANTY OF MERCHANTABILITY OF FITNESS FOR A PARTICULAR PURPOSE, ARE LIMITED IN DURATION TO THE DURATION OF THIS WARRANTY. LABOUR CHARGES AND/OR DAMAGE INCURRED IN INSTALLATION, REPAIR OR REPLACEMENT AS WELL AS INCIDENTAL AND CONSEQUENTIAL, SPECIAL, INDIRECT OR PUNITIVE DAMAGES CONNECTED THEREWITH ARE EXCLUDED AND WILL NOT BE PAID BY DELTA FAUCET.

Some states do not allow limitations on how long an implied warranty lasts, or the exclusion or limitation of incidental or consequential damages, so the above limitations or exclusions may not apply to you. This warranty gives you specific legal rights, and you may also have other rights which vary from state to state.

This warranty is for commercial products only from Delta Faucet Company and Delta Faucet Canada (a division of Masco Canada Limited) and is void for any damage to this faucet due to misuse, abuse, neglect, accident, improper installation, any use in violation of instructions furnished by Delta Faucet or any use of replacement parts other than genuine Delta parts.

Garantía Limitada de las Llaves de Agua Comerciales Delta

Todas las piezas de las llaves de agua (grifos) Delta® HDF®, TECK® están garantizadas al comprador consumidor original de estar libres de defectos de material, acabado y fabricación por un periodo de cinco (5) años a menos que sea establecido específicamente de otra manera en el catálogo o libro de precios. Esta garantía se le hace al comprador consumidor original y será efectiva desde la fecha de compra como mostrado en el recibo del comprador.

Delta, a su opción, reparará o reemplazará, GRATUITAMENTE, durante el periodo de garantía, cualquier pieza que pruebe ser defectuosa en material o fabricación bajo instalación, usu, agua y condiciones de servicio normales. Si Delta Faucet concluye que la pieza devuelta fue fabricada por Delta Faucet y es, de hecho, defectuosa, entonces Delta Faucet honrará la garantía establecida en este documento.

Las piezas de repuesto se pueden obtener de su comerciante o distribuidor local listado en el libretto telefónico o devolviendo la pieza junto con el recibo del comprador a nuestra fábrica, CARGOS DE TRANSPORTE PRE-PAGADOS, a la dirección incluida. ESTA GARANTÍA ES LA ÚNICA GARANTÍA EXPRESA HECHA POR DELTA. CUALQUIER RECLAMO HECHO BAJO ESTA GARANTÍA DEBE SER HECHO DURANTE EL PERÍODO DE CINCO AÑOS ARRIBA MENCIONADO. CUALQUIER GARANTÍA IMPLÍCITA, INCLUYENDO LA GARANTÍA IMPLÍCITA DE COMERCIABILIDAD DE EMPLEO PARA UN PROPÓSITO PARTICULAR, TIENE UNA DURACIÓN LIMITADA A LA DURACIÓN DE ESTA GARANTÍA. LOS CARGOS DE LABOR Y/O DAÑO INCURRIDO DURANTE LA INSTALACIÓN, REPARACIÓN O REPUESTO COMO TAMBIÉN DAÑOS INCIDENTALES O RESULTANTES, ESPECIALES, INDIRECTOS O PUNITIVOS RELACIONADOS CON LO MENCIONADO SON EXCLUIDOS Y NO SERÁN PAGADOS POR DELTA FAUCET.

Algunos estados no permiten limitaciones de la duración de una garantía implícita limitada, o la exclusión o limitación de daños incidentales o consecuentes, de manera que las limitaciones o exclusiones arriba mencionadas puedan no aplicarle a usted. Esta garantía le da derechos legales específicos, y usted también puede tener otros derechos que varían de estado a estado.

Esta garantía es solo para productos comerciales de Delta Faucet Company y Delta Faucet Canada, una división de Masco Canada Limitada, y es nula por cualquier daño hecho a esta llave de agua resultante del mal uso, abuso, descuido, accidente, instalación incorrecta, cualquier uso en violación de las instrucciones proporcionadas por Delta Faucet o cualquier uso de piezas de repuesto que no sean de piezas genuinas de Delta.

Garantie Limitée Delta Commercial

Toutes les pièces des robinets de marque Delta® HDF® et TECK® sont garanties contre tout défaut de matière, de finition et de main-d'oeuvre pour une période de cinq (5) ans, sauf indication contraire stipulée dans le catalogue et la liste des prix. Cette garantie est offerte à l'acheteur original et entre en vigueur à compter de la date d'achat indiquée sur la preuve d'achat.

Delta procédera, à son entière discrétion, à la réparation ou au remplacement, SANS FRAIS, durant la période de garantie, de toute pièce qui présente un défaut de matière ou de main-d'oeuvre dans des conditions d'installation, d'usage, d'eau et de service normales. Si Delta Faucet détermine que la pièce retournée a été fabriquée par Delta Faucet et qu'en effet, cette pièce fait défaut, Delta Faucet respectera alors la garantie stipulée aux présentes. Les pièces de rechange peuvent être obtenues chez votre marchand local ou le distributeur inscrit dans votre annuaire téléphonique, ou en retournant la pièce ainsi que la preuve d'achat à notre usine, FRAIS DE TRANSPORT PRÉPAYÉS, à l'adresse indiquée. CETTE GARANTIE EST LA SEULE GARANTIE EXPRESSE FAITE PAR DELTA.

TOUTE RÉCLAMATION FAITE EN VERTU DE CETTE GARANTIE DOIT ÊTRE PRÉSENTÉE DURANT LA PÉRIODE DE CINQ ANS MENTIONÉE CI-DESSUS. TOUTE GARANTIE IMPLICITE, Y COMPRIS LA GARANTIE IMPLICITE DE VALEUR COMMERCIALE RELATIVEMENT À L'APTITUDE À LA FONCTION, EST LIMITÉE EN TERMES DE DURÉE POUR LA DURÉE DE CETTE GARANTIE.

LES FRAIS DE MAIN-D'OEUVRE ET/OU DE DOMMAGES ENCOURUS DURANT L'INSTALLATION, LA RÉPARATION OU LE REMPLACEMENT AINSI QUE LES DOMMAGES-INTÉRÊTS ACCESSOIRES OU IMMATÉRIELS, SPÉCIAUX, INDIRECTS OU PUNITIFS S'Y RAPPORANT SONT EXCLUS ET NE SERONT PAS PAYÉS PAR DELTA FAUCET.

Certains états ne permettent pas la limitation de la durée de la garantie implicite, ou l'exclusion ou la limitation des dommages-intérêts accessoires ou immatériels, et par conséquent, les limitations ou les exclusions stipulées ci-dessus peuvent ne pas s'appliquer dans votre cas. Cette garantie vous accorde certains droits reconnus par la loi et vous avez peut-être aussi d'autres droits qui varient d'un état à l'autre.

Cette garantie s'applique seulement aux produits commerciaux des sociétés Delta Faucet et Delta Faucet Canada, une filiale de Masco Canada Limited et est nulle de plein droit pour tout dommage causé à ce robinet en raison d'usage excessif, d'abus, de négligence, d'accident, de mauvaise installation, tout usage en contravention des directives fournies par Delta Faucet ou tout usage de pièces de rechange autres que des pièces originales Delta.

Delta Faucet Canada, a division of Masco Canada Limited
Box 5750, 420 Burbrook Place, London, ON, Canada N6A 4L6
1-800-567-3300 (English) 1-800-265-9245 (French)

Delta Faucet Company
Box 40980, 55 East 111th St., Indianapolis, IN, U.S.A. 46280
(317) 848-1812

For further technical assistance, call Delta Commercial Technical Service at 1-800-387-8277.

Para la asistencia técnica adicional, servicio técnico Comercial del Delta de la llamada en 1-800-387-8277.

Pour obtenir de l'assistance technique, appelez le Service Technique de Delta Commercial au 1-800-387-8277.