



JETTED SHOWER AND JETTED SHOWER XO™ ROUGH MODULES

- Rough Only (R1827)
- Jet Module w/ Extra Outlet Rough Only (R1827-XO)

STANDARD SPECIFICATIONS

- Standard 1 1/2" (38 mm) wall cavity..
- Brass body.
- Back-to-back installation capability.
- Adjusts for up to 3/4" (19 mm) wall thickness.
- Additional outlet option for jetted shower XO™ series.
- Extra outlet models (XO) include 3 port, six position diverter.
- For use with Multi Choice Universal 18 Series and 18T Series Jetted Shower™ trim. Monitor® 17 Series dual function pressure balanced cartridge ships with 18 Series trim. 17T Series dual function thermostatic cartridge ships with 18T Series trim.

WARRANTY

- Lifetime Faucet and Finish Limited Warranty to the original consumer purchaser to be free from defects in material and workmanship.
- 5 Year Limited Warranty for usage in all industrial, commercial and business applications.

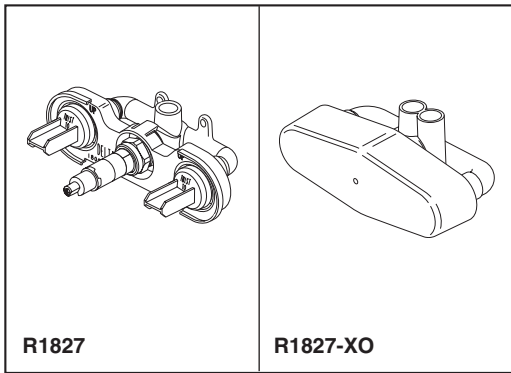


COMPLIES WITH:

- ANSI/ASME A112.18.1 / CSA B125.1

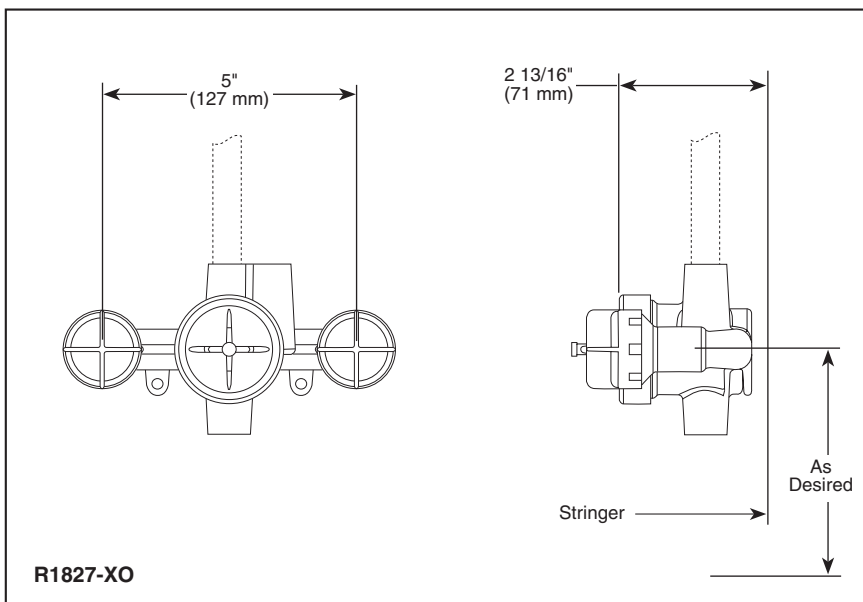
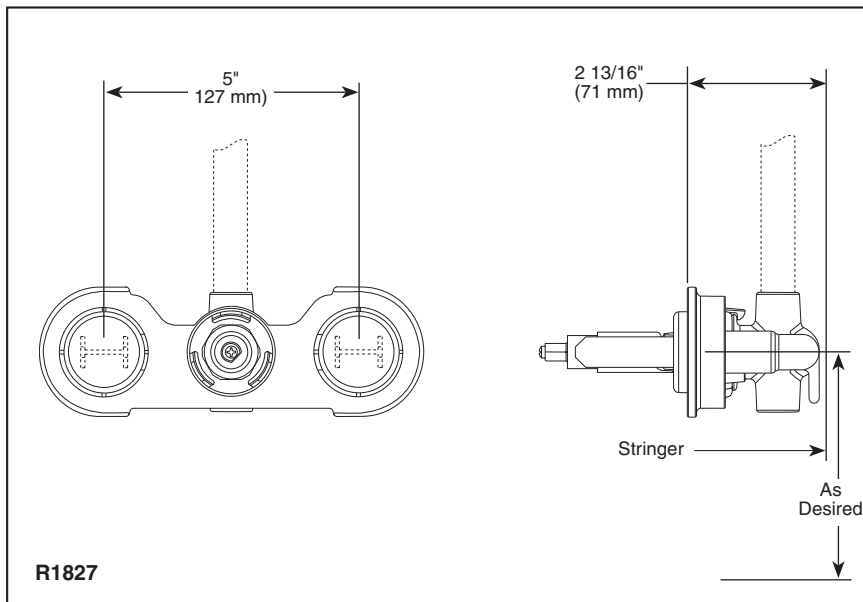


55 E 111th Street, Indianapolis, Indiana 46280
395 Matheson Blvd. E., Mississauga, ON L4Z 2H2
© 2010 Masco Corporation of Indiana



Submitted Model No.: _____

Specific Features: _____



Delta reserves the right (1) to make changes in specifications and materials, and (2) to change or discontinue models, both without notice or obligation. Dimensions are for reference only. See current full-line price book or www.specselect.com for finish options and product availability.