

Shower Accessories

TECK[®]
COMMERCIAL

DELTA[®]

Specification: (example)

Brass body diverter valve,
ADA compliant lever handle,
polished chrome plated metal trim.

❑ **060852A** 



❑ **061058A** 
(See Product Variations
No.'s 3 & 9)



❑ **060274A**

76 mm (3") Diameter wall thermometer,
18 to 82 degrees C (0 to 180 degrees F),
stainless steel construction with shatterproof
Lexan lens, complete with cast brass tee,
polished chrome plated brass nipple and
set screw wall flange.



❑ **54T1200** 

With 70mm (2-3/4") ADA compliant
lever blade handle and integral stop.
In-wall, volume control stop, TUF-TECK[®]
institutional structure, polished chrome
plated finish exposed metal trim, color
indexed metal handle with vandal
resistant screw, 1/2" FIP inlet/outlet.



❑ **060732A**

Brass body volume control, polished
chrome plated finish, flow adjustment
lever handle, 1/2" NPS inlet/outlet.



❑ **060605A**

Forged brass Toe Tester Spout,
polished chrome plated finish,
1/2" FIP inlet.



❑ **060710A**

Brass bent showerarm,
metal set screw wall flange,
polished chrome plated finish.
(Supplied with Shower
No. 1, 2, 3 & 8)



Specification: (example)

Cast brass institutional wallmounted shower
head, polished chrome plated finish, 30°
spray angle from wall, concealed cast
brass mounting plate, vandal resistant
front mounting screws, universal 1/2" FIP/
copper sweat inlet.

❑ **060793A** – 2.0 USGPM (7.6 L/min.)

❑ **060991A** – 1.75 USGPM (6.6 L/min.)

❑ **061011A** – 1.5 USGPM (5.7 L/min.)
(See Shower No. 6 – T13H Series)

❑ **060890A**

Brass body showerhead fixed
2.2 USGPM (8.4 L/min.) flow control
spray, polished chrome plate finished.
(See Shower No. 1 on
T13H Series)

❑ **RP43381**

3-Function Touch-Clean[®], chrome plated
finish, brass ball showerhead,
2.0 USGPM (7.6 L/min.).
(See Shower No. 2)

❑ **RP38357**

Touch-Clean[®], polished chrome
plated finish, brass ball showerhead,
2.0 USGPM (7.6 L/min.).
(See Shower No. 3 on
T17TH Series)

❑ **061048A**

Rubclean, chrome plated brass ball
showerhead 1.5 USGPM (5.7 L/min.).
(See Shower No. 3 on
T13H Series)

❑ **RP46384**

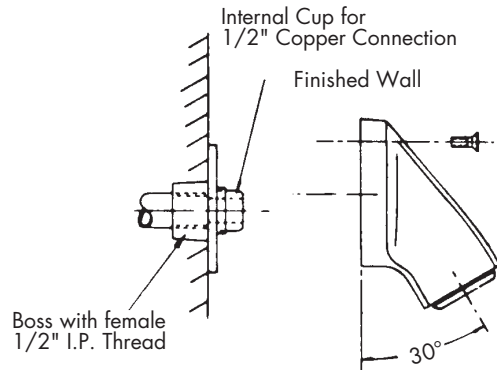
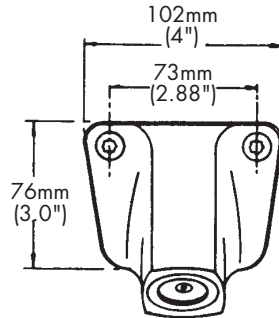
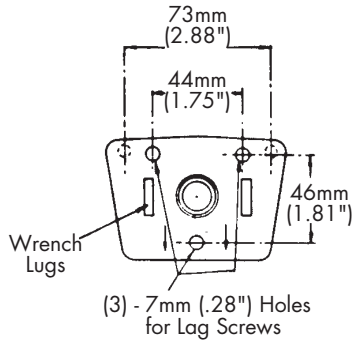
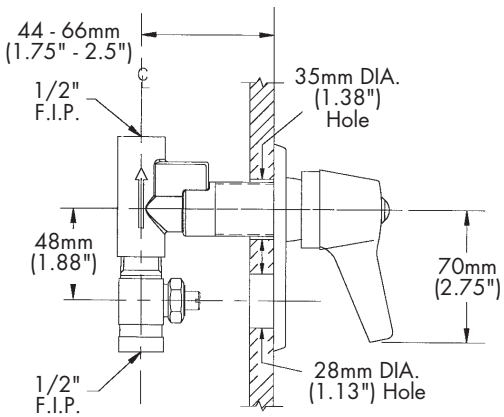
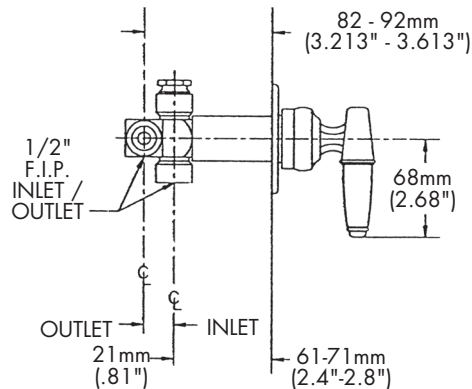
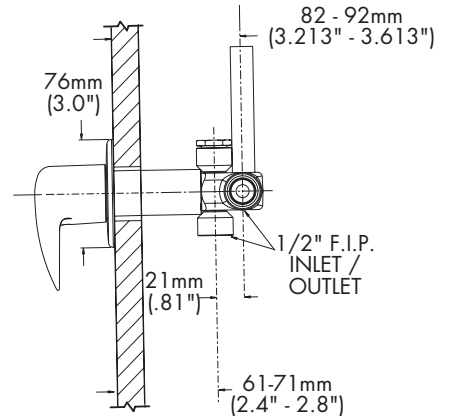
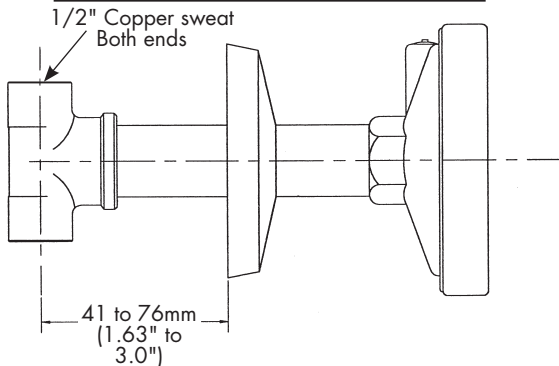
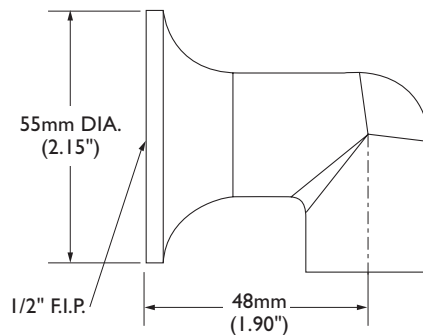
H₂Okinetic Technology[®] Showerhead,
1.5 USGPM (5.7 L/min.).
(See Shower No. 8 on
T13H Series)

Refer to www.specselect.com for individual models.

Flow Rates are at 80 PSI.
Note: Use this page front and back as a product submittal sheet.

Delta reserves the right (1) to make changes in specifications and materials, and (2) to change or discontinue models, both without notice or obligation. Dimensions are for reference only. See current full-line price book or www.specselect.com for finish options and product availability.

DSP-SHWB Rev. D

060793A, 060991A & 061011A SHOWERHEAD
ANCHOR PLATE

54T1200 CONTROL VALVE

060852A DIVERTER VALVE

061058A DIVERTER VALVE

060274A WALL THERMOMETER

060605A TOE TESTER SPOUT


Note: Measurements may vary \pm 6mm (0.25")