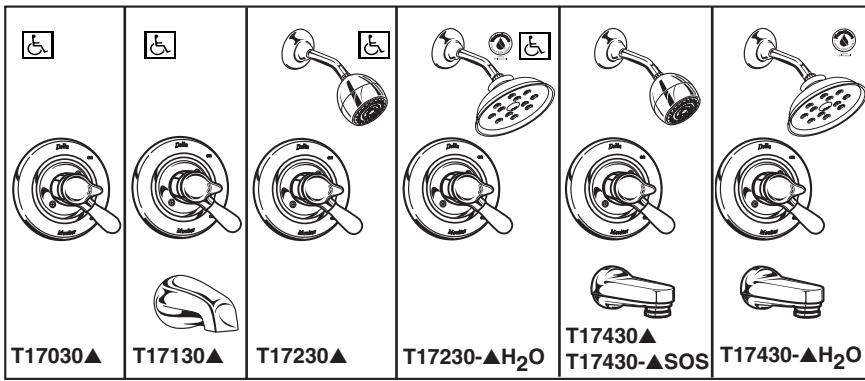


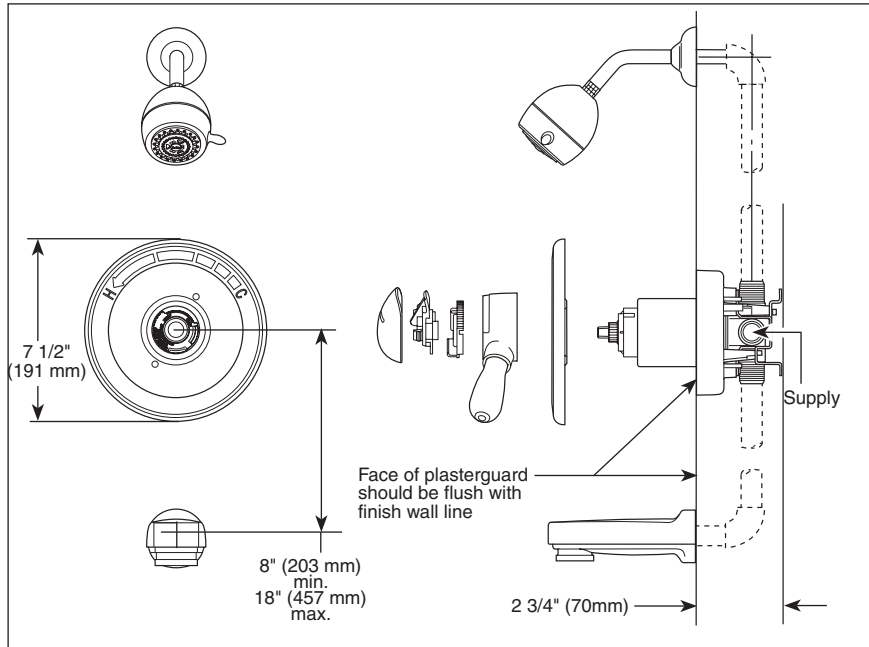


# TUB AND SHOWER FAUCET TRIM



- Innovations® Collection
- Valve Only (T17030 Series)
- Tub Only (T17130 Series)
- Shower Only (T17230 Series)
- Tub/Shower (T17430 Series)

Submitted Model No.: \_\_\_\_\_  
 Specific Features: \_\_\_\_\_



## STANDARD SPECIFICATIONS:

- Monitor® 17 Series pressure balanced bath mixing valve trim.
- Maintains a balanced pressure of hot and cold water even when a valve is turned on or off elsewhere in the system.
- For use with MultiChoice™ Universal rough valve body. (R10000 Series)
- Back-to-back installation capability.
- Solid brass fabricated body.
- Lever volume control handle; temperature adjustment dial.
- Field adjustable to limit handle rotation into hot water zone.
- Maximum dial rotation adjustable between 90° and 180°.
- All parts replaceable from the front of the valve.
- Models with "SOS" suffix supplied with slip-on spout for 1/2" C.W.T.

## WARRANTY

- Lifetime Faucet and Finish Limited Warranty to the original consumer purchaser to be free from defects in material and workmanship.
- 5 Year Limited Warranty for usage in all industrial, commercial and business applications.

### ▲ Designate Proper Finish Suffix

**RP5833▲ (Non-Diverter)**  
**RP5835**

4 3/4" (121 mm)      2 1/2" (64 mm)

---

**RP5836 (Pull-Down Diverter)**  
**RP17454▲**

5 1/4" (133 mm)      2 1/2" (64 mm)

---

**RP70173▲ 2.0 GPM H<sub>2</sub>O Showerhead**

3" (76 mm)      6 13/32" (162 mm)

**RP40594▲ Touch-Clean® Showerhead**

4 3/4" (121 mm)      3 3/4" (95 mm)

Full Spray

Massage Spray

Soft Aerated Spray

---

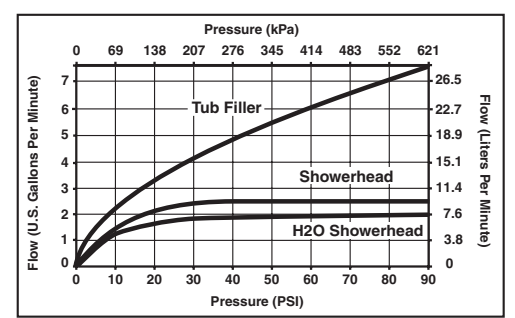
**A74▲**

2 13/32" (60.96 mm)



## COMPLIES WITH:

- ASME A112.18.1 / CSA B125.1
- ASSE 1016
- Indicates compliance to ICC/ANSI A117.1
- Indicates compliance to WaterSense



55 E 111th Street, Indianapolis, Indiana 46280  
 350 South Edgeware Road, St. Thomas, ON N5P 4L1  
 © 2011 Masco Corporation of Indiana

Delta reserves the right (1) to make changes in specifications and materials, and (2) to change or discontinue models, both without notice or obligation. Dimensions are for reference only. See current full-line price book or www.specselect.com for finish options and product availability.