

SPECIFICATION: (example)

- Deck mount electronic lavatory faucet
- Sensor detects user's hand to activate water flow
- 6 1.5V AA Batteries (included)
- Adjustable maximum run time
- Adjustable sensor range
- Red light indicator blinks when battery is low
- 0.5 USGPM (1.9 L/min) aerator

 DEMD-301

- Electronic faucet for cold or pre-mixed water

 DEMD-311

- Electronic faucet with mixer to adjust temperature

OPERATION
Sensing Range:

- Factory set to 8.6" (220 mm)
- Adjustable from 3.15" to 11.8" (80 mm to 300 mm)

Maximum Run Time:

- 90 seconds, adjustable with remote control

 060958A

- DEMD Plug-In Transformer 120 VAC to 9 VDC (Optional)

 060967A

- Remote Control (Optional)

 060974A

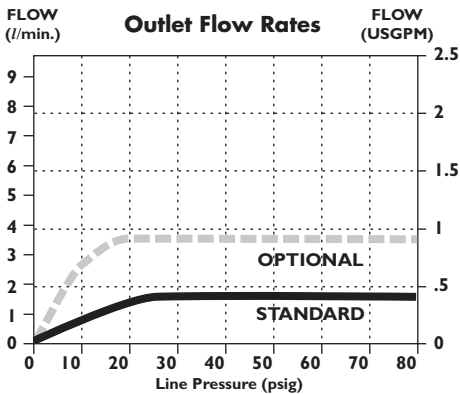
- DEMD Converter 24 VAC to 9 VDC (optional) (transformer required – order separately)

 060585A

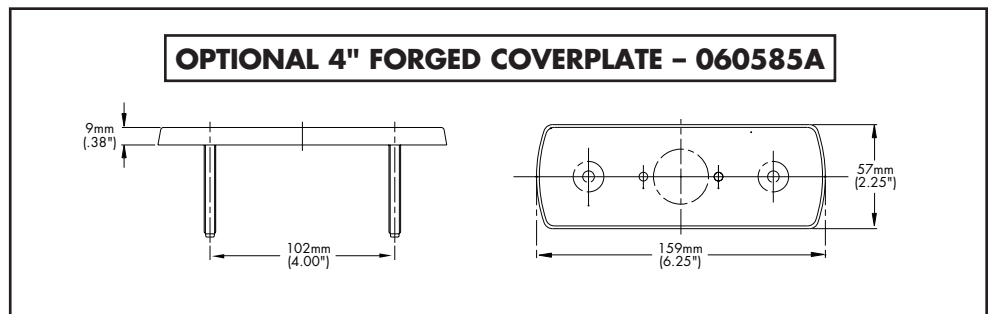
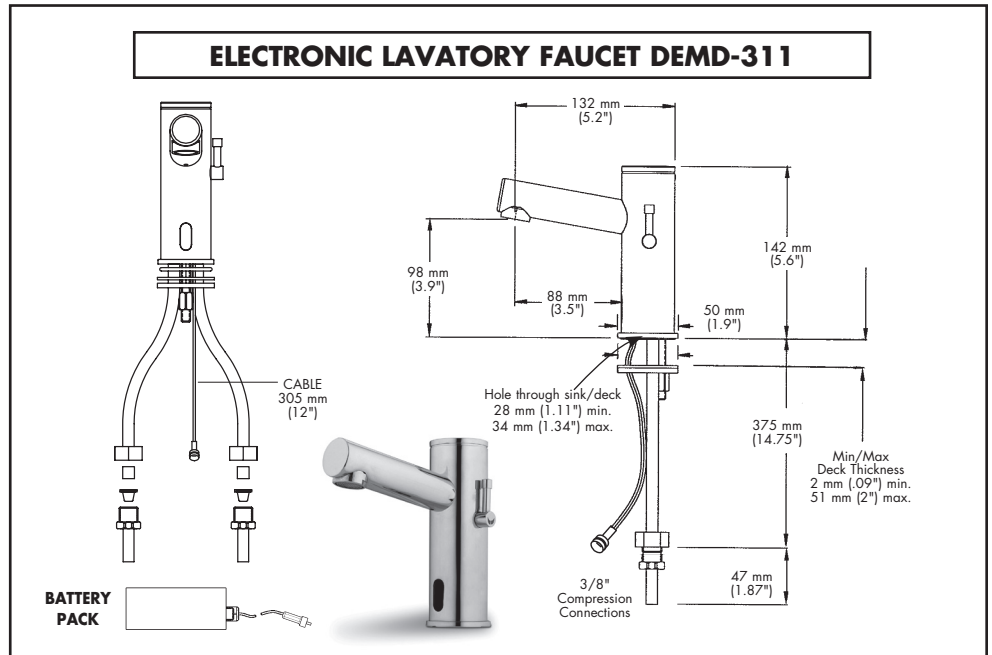
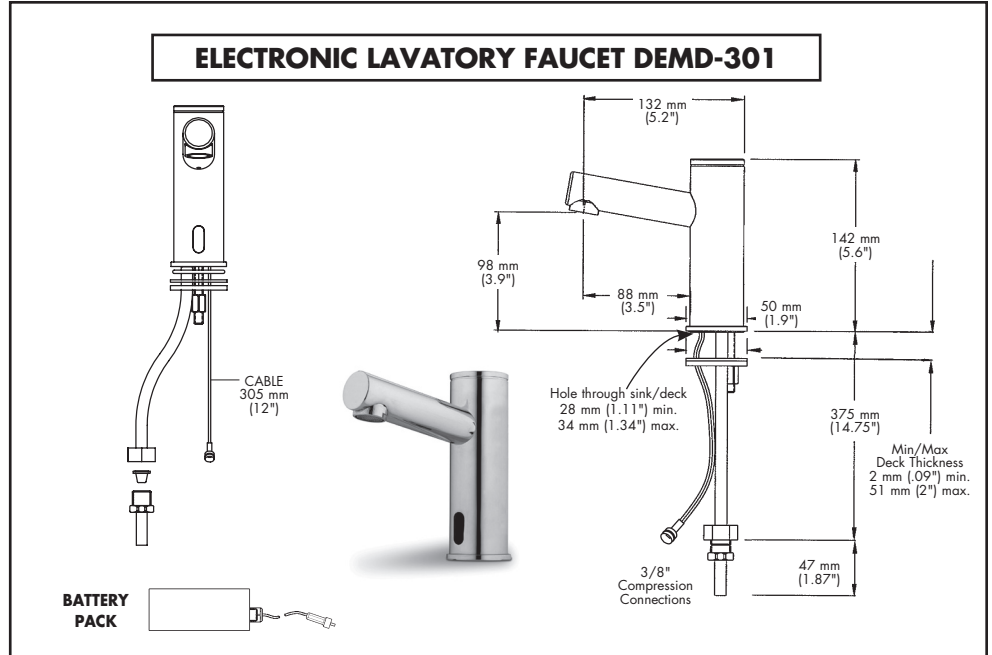
- Optional 4" forged coverplate

 060961A

- Optional 1.0 USGPM (3.8 L/min) aerator

FLOW RATE vs PRESSURE

Approvals:

- ADA Compliant and meets Handicapped Accessibility Standard ASME A117.1 of less than 5 lbs. handle operating force.



Note: Measurements may vary ± 6mm (0.25")