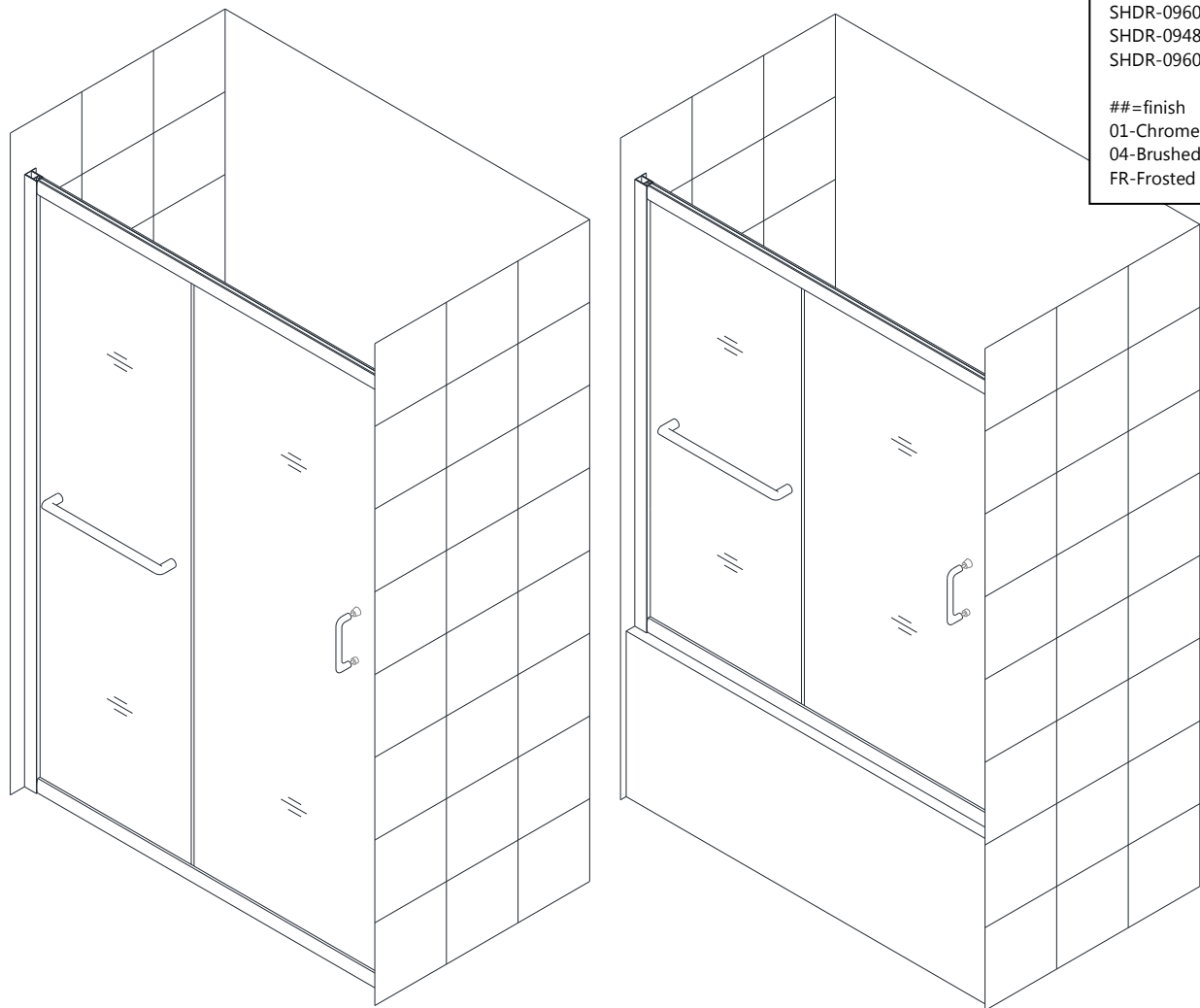


## INFINITY-Z

### SHOWER DOOR & TUB DOOR INSTALLATION INSTRUCTIONS

#### IMPORTANT

DreamLine<sup>®</sup> reserves the right to alter, modify or redesign products at any time without prior notice. For the latest up-to-date technical drawings, manuals, warranty information or additional details please refer to your model's web page on **DreamLine.com**



Please read these instructions carefully before installing. If you have any questions regarding installation, please contact our technical support specialists Monday through Friday 8AM – 7PM and Saturday 9AM-5PM EST at Phone: 1-866-731-2244, Fax: 1-866-857-3638 or e-mail our technical support group at [Support@DreamLine.com](mailto:Support@DreamLine.com)

For more information about DreamLine<sup>®</sup> products please visit [DreamLine.com](http://DreamLine.com)

## **Preparation**

1. Prior to installation, examine all boxes and packages for shipping damage and compare the piece count with your packing slip. After opening all boxes and packages read this introduction carefully. Check that all of the needed parts are included in the package by checking off the components on the "Detailed Diagram of Shower Door Components". If the unit has been damaged, has a finishing defect, or has missing parts, please contact our customer support department within **3 business days** of the delivery date. Please note that **DreamLine® will not replace any damaged products or missing parts free of charge after 3 business days or if the product has been installed.** Feel free to contact DreamLine® if you have any questions, and please provide an order number, job name or other proof of purchase to help us identify your original order.
2. If this unit is going to be installed in a new construction, please, install all of the required plumbing and drainage before installing the shower. **Use a competent and licensed (if required by local code) plumber for all plumbing installation.**
3. **Please note that you should consult your local building codes with questions about installation compliance standards. Building and plumbing codes may vary by location, and DreamLine® is not responsible for code compliance standards for your project and will not accept any returns.**
4. Please make sure that prior to beginning the installation, the surfaces are leveled and solid and will be able to support the total weight of the unit. Also make sure the walls are at right angles. Irregular installation surface level, radius corners or improper angle of side walls will result in serious problems for your installation. Please, note that some adjustments and drilling may be necessary during the installation process.
5. Please protect all primary surfaces of the product during installation. Never set your glass down directly onto a tile floor. Leave corner protectors in place until necessary to remove them. Always use a piece of wood or cardboard to protect the bottom edge and corners of the glass prior to and during installation.
6. This unit must be installed upon a finished threshold and against finished walls.
7. This model has **1"** of adjustment per wall profile for out-of-plumb wall conditions and overall width within the model size. Confirm the finished opening conditions before proceeding with the installation.

**NOTE: For models with frosted glass: the textured surface must face the outside of the shower.**

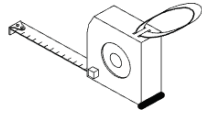
**NOTE:** These instructions will show the installation of the shower door. Please follow the same steps for the installation of the tub door.

**NOTE:** This door is reversible for right or left-hand door installation. The right-hand door installation is shown as an example throughout this manual. For the left –hand door installation, flip the assembly top to bottom so that the panel is on the right side (see step#9).

## Tools Required



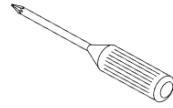
Level



Tape Measure



Pencil



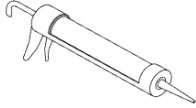
Phillips Screwdriver



Drill bit  
Ø=5/16"  
(8mm)



Drill bit  
Ø=1/8"  
(3mm)



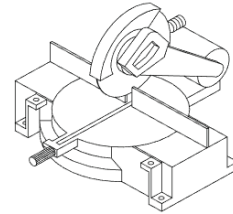
Silicone / Caulk



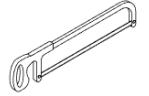
Power Drill



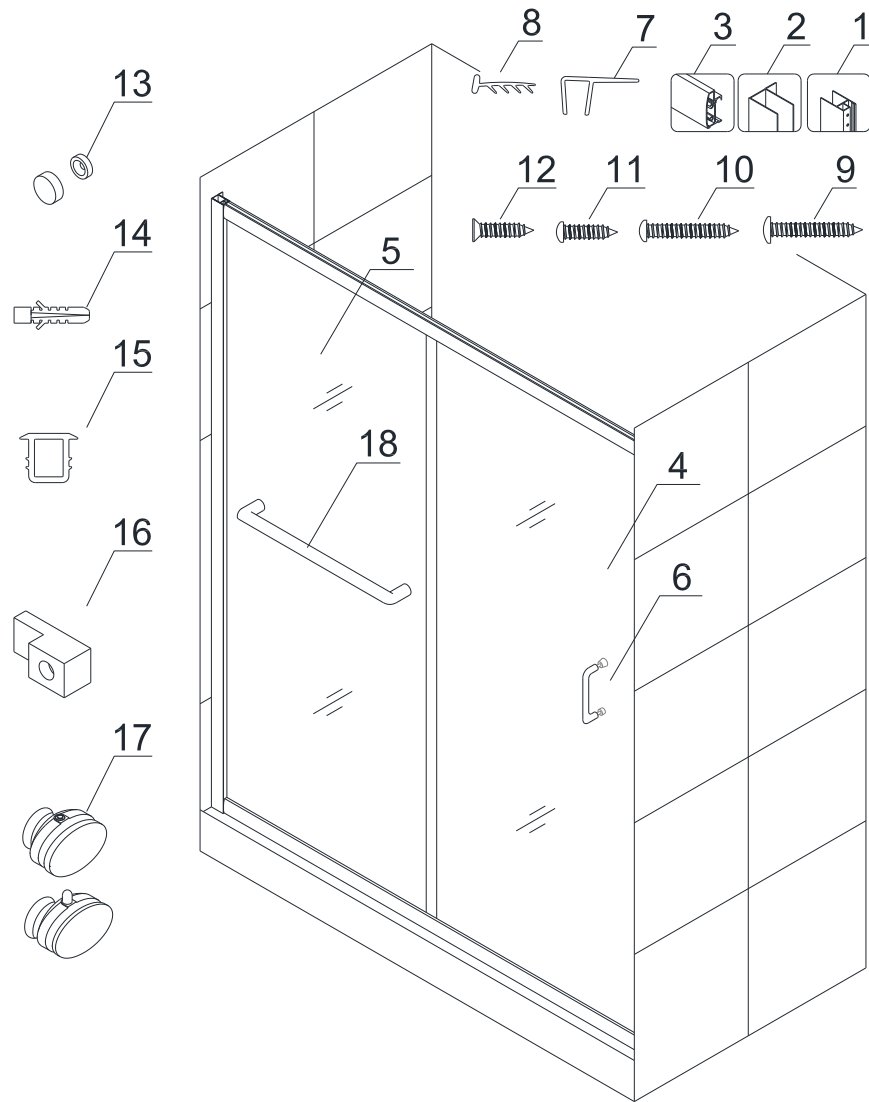
Hammer



Miter saw or Hacksaw



## Detailed Diagram of Shower Door Components



### Packing List

<b>01</b>	Glass profile	2pcs	<b>10</b>	Round head screw ST4.2x25	8pcs
<b>02</b>	Wall profile	2pcs	<b>11</b>	Round head screw ST4.2x10	4pcs
<b>03</b>	Guide rail (Top and Bottom)	2pcs	<b>12</b>	Flat head screw ST4.2x16	2pcs
<b>04</b>	Door Glass	1pc	<b>13</b>	Decorative cover (with washer)	4pcs
<b>05</b>	Stationary glass	1pc	<b>14</b>	Wall anchor	8pcs
<b>06</b>	Handle	1pc	<b>15</b>	Seal gasket	1pc
<b>07</b>	Anti-water strip (2 long, 1 short)	3pcs	<b>16</b>	Glass holder	2pcs
<b>08</b>	Single side strip	1pc	<b>17</b>	Wheel assembly (top & bottom)	2pair
<b>09</b>	Truss head screw ST4.2x40	8pcs	<b>18</b>	Towel bar	1pc

**NOTE:** Unpack your unit carefully and inspect it. Identify all parts using the detailed diagram and packing list in this manual as a reference. Before discarding the carton, check for small hardware bags that may have fallen to the bottom of the box. If any parts are damaged or missing, please contact DreamLine® for replacement. The shipping boxes may contain extra parts not used in your model configuration. **NOTE:** Retain these installation instructions for future reference.

# Shower Door Installation

1. Measure the distance between the two finished walls at the top (at model height: 58" or 72"), middle and bottom. The wall profiles will adjust for out-of-plumb conditions, so **use the smallest measurement as the "finished opening"** dimension to determine the finished cut length in step#2. See Fig. 1 for details.

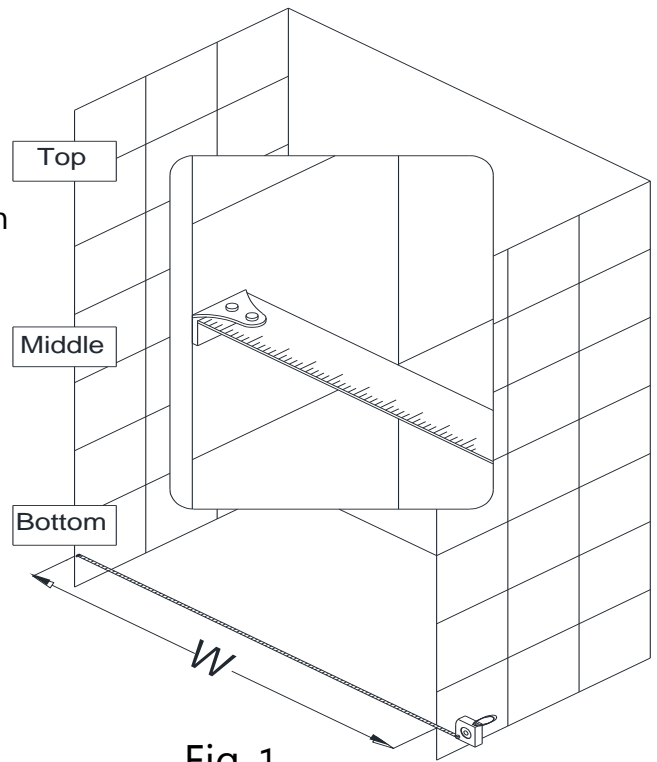


Fig. 1

**NOTE:** The **Top and bottom Guide Rails (03)** are shorter than the model size by design. They have been precut for your model width and are made to fit between the wall profiles, (not wall to wall). See the table below:

Model Size	Precut Rail Length
48" (for shower)	44-5/8"
60" (for shower)	56-5/8"
60" (for tub)	56-5/8"

**FINISHED OPENING (W) - 3-3/8" = FINISHED CUT LENGTH**

2. Subtract 3-3/8" from your finished opening (W) to determine the finished cut length for the **Top and bottom guide rails (03)**. Cut the **Top and bottom guide rails (03)** to the **finished cut length "D"**. Cut from the door end, (which is the end farthest from the glass holder hole) and cut each rail to the same length from the same end.

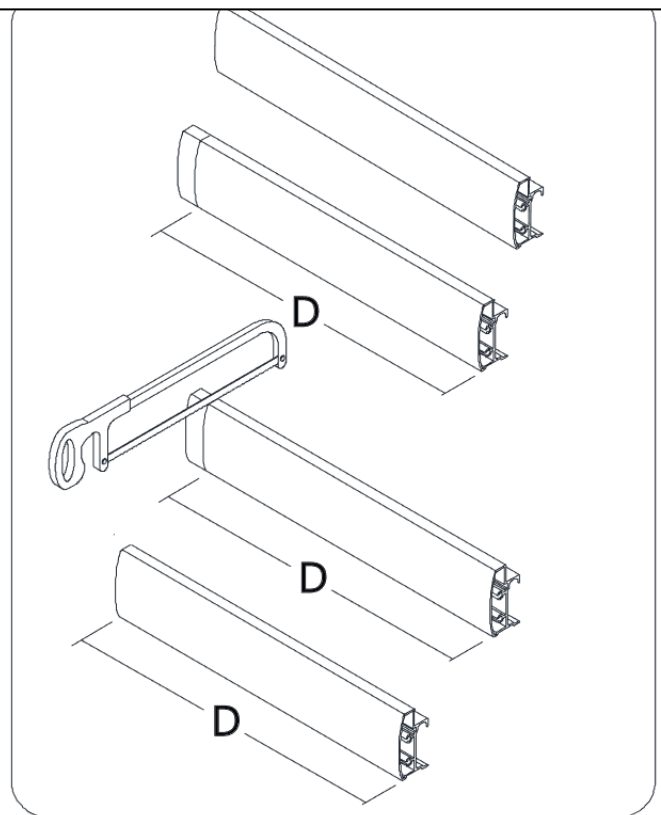


Fig. 3

See Fig. 2 & Fig. 3 for details.

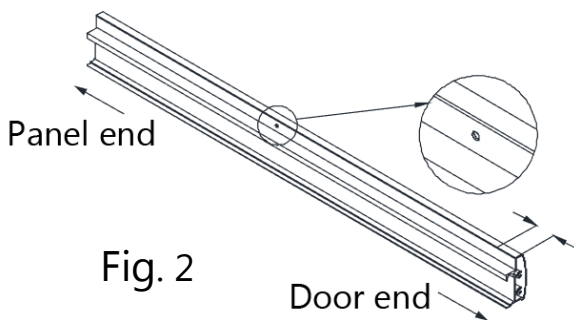


Fig. 2

**TIP:** For easier installation into the opening cut off an extra 1/4":  
**FINISHED OPENING (W) - 3-5/8" = FINISHED CUT LENGTH "D"**

3. After the **Top and bottom guide rails (03)** have been cut, you will need to re-install the roller stopper on each **Top and bottom guide rails (03)** on the **end that has been cut off (the door end)**.

Remove the existing stopper. Mark the drilling hole at a distance of **3-1/8"** from the cut end of the **Top and bottom Guide rail (03)**.

Drill a new hole using an **Ø1/8"** drill bit; then re-secure the stopper with the screw.

**ATTENTION:**

**Do not drill the Guide rail throughout, only through the first layer.**

See Fig. 4 for details (bottom guide rail shown)

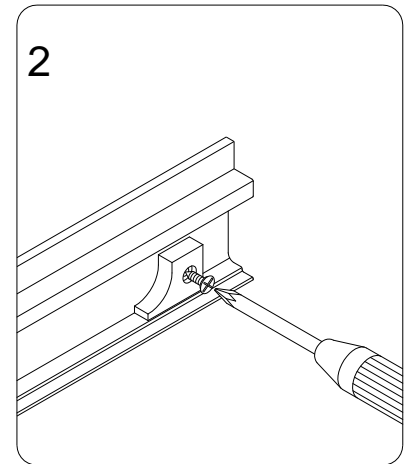
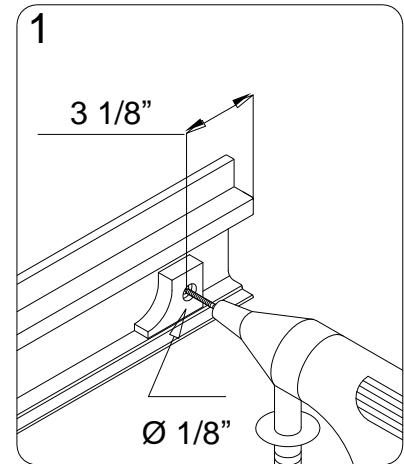


Fig. 4

4. Secure the bottom **Top and bottom guide rails (03)** to the **Glass profiles (01)** with the **Round head screws ST4.2x25 (10)**.

See Fig. 5 for details.

**TIP:** For ease of assembly, add some liquid soap, wax or lubricant to the screws prior to attaching the glass profiles to the guide rails. Use a low setting on your power drill to prevent stripping the screws.

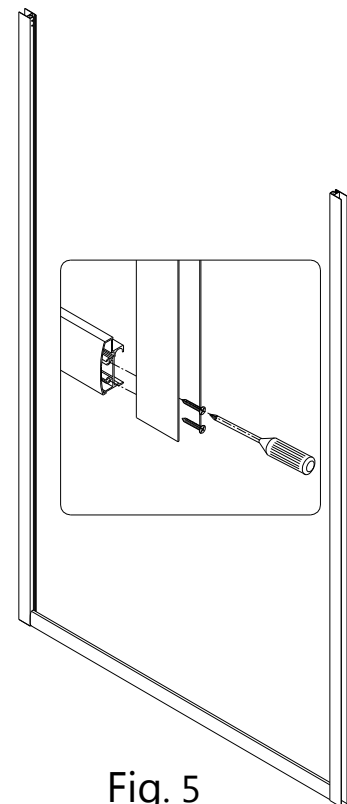


Fig. 5

- Slide the **Stationary glass (05)** fully into the groove of the **Glass profile (01)**, and then secure the **Glass holder (16)** to the **bottom Guide rail (03)** with the **Flat head screw ST4.2 x 16 (12)**.

See Fig. 6 for details.

**TIP:** Apply a thin bead of silicone to the bottom rail prior to setting your glass. See the detail below.

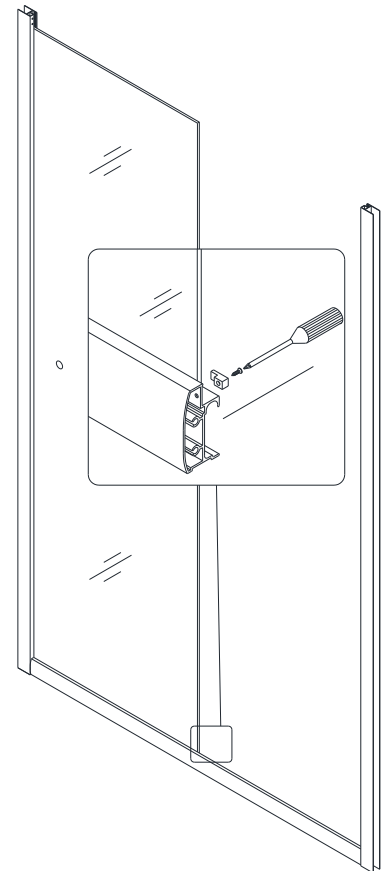
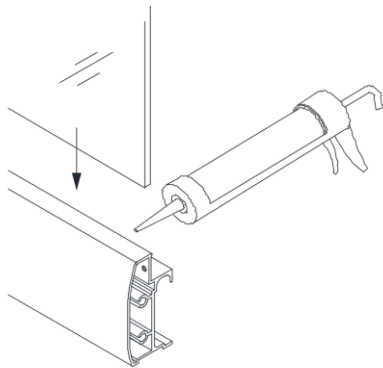


Fig. 6

- Starting from the bottom, insert the **Single side strip (08)** into the groove between the glass and the glass profile using a wooden or plastic shim. The strip should be inserted from the side that will face inside the shower.

**ATTENTION:**

**To prevent scratching or damaging the glass and aluminum: Do not use a screwdriver or other metal object to insert the Single side strip (08).**

- Repeat Step #3, Step #4, Step #5 and Step #6 to fasten the **top Guide rail (03)** to the **Glass profiles (01)** and secure the **Stationary glass (05)** with the remaining **Glass holder (16)** and **Flat head screw ST4.2 x 16 (12)**.

See Fig. 7 for details.

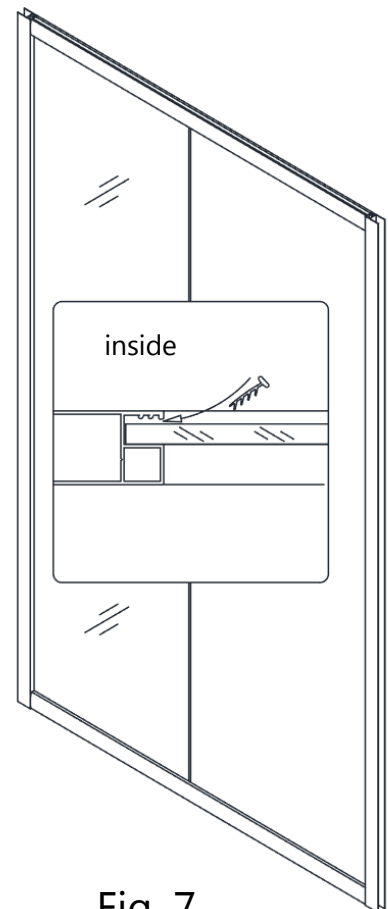


Fig. 7

8. Slide the **Wall profiles (02)** all the way onto the **Glass profiles (01)** on both sides. Make sure the flange of the wall profile faces inside the shower.

See Fig. 8 for details.

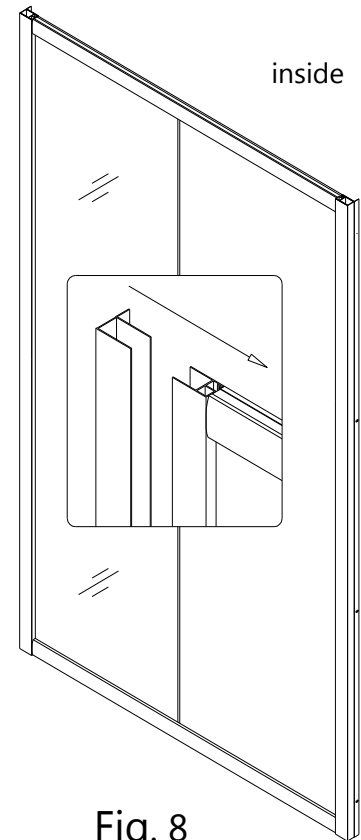


Fig. 8

9. Move the assembled frame into the designated position on the shower base\*, bathtub or threshold (depending on your installation), and push the **Wall Profiles (02)** tight to the walls to compensate for any out-of-plumb conditions.

Push the bottom rail down tight to the threshold and adjust the frame to a vertical position. Confirm with a level before marking the holes for drilling.

See Fig. 9 for details.

**\*NOTE:** At this step you can reverse the handing of the installation by flipping the assembly top to bottom so that the panel is on the right side.

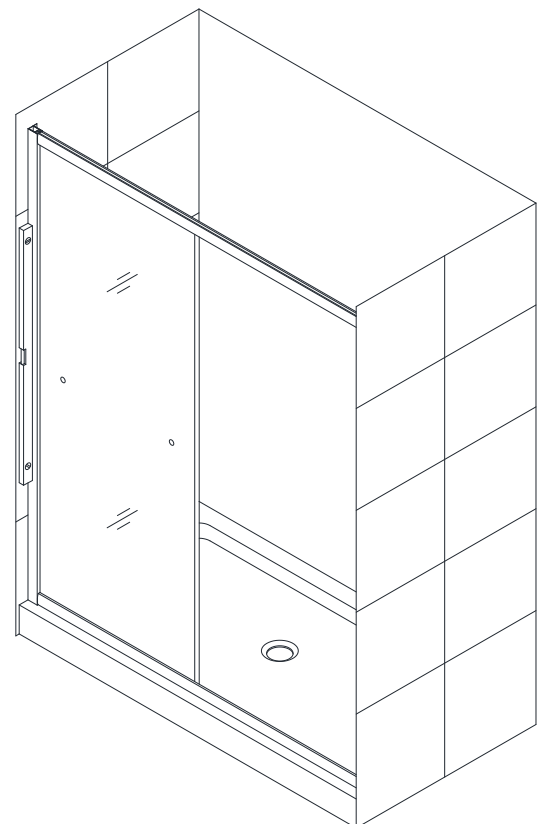


Fig. 9



10. Use a helper to hold the assembly in position and mark the drill holes on the wall through the holes on the flange of the **Wall Profiles (2)**.

Gently set the assembled unit aside; drill the holes using a  $\text{\O} 5/16''$  drill bit and insert the **Wall anchors (14)**.

Apply silicone along the wall profile and around the holes on the wall. Also apply silicone caulk under the **bottom Guide rail (03)**. Place the entire shower assembly back into the designated position and secure it to the walls using the **Truss head screws ST4.2x40 (09)**.

See Fig. 10 for details.

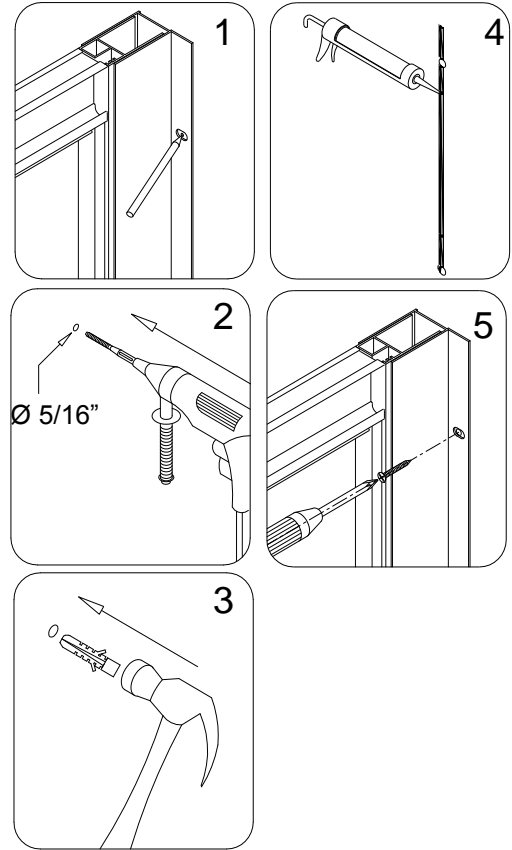


Fig. 10

11. Attach the **Towel bar (18)** to the outside of the **Stationary glass (05)**.

**NOTE:** Towel bar must be installed on the outside of the stationary glass.

See Fig. 11 for details.

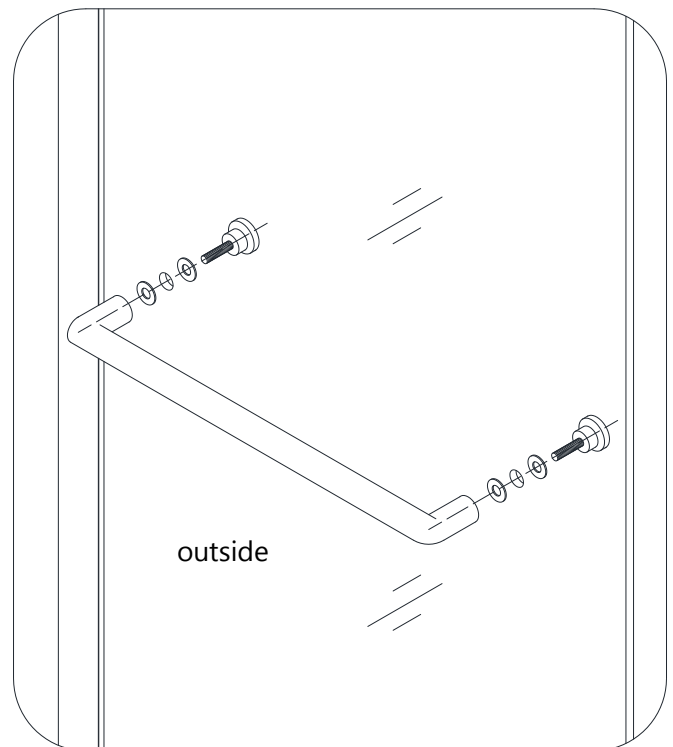


Fig. 11

12. Fasten the top and the bottom **Wheel assemblies (17)** to the **Door Glass (04)**. The top wheels can adjust the door level using the adjustable bolt and lock nut. The bottom wheel has a press button to fix the wheel onto the **bottom Guide rail (03)**. **The wheels will face towards the outside of the shower.**

**Note:**

The lock nut of the upper wheel (Fig 12.4) and the press button of the bottom wheel (Fig 12.1) should be pointing up.

See Fig. 12 for details.

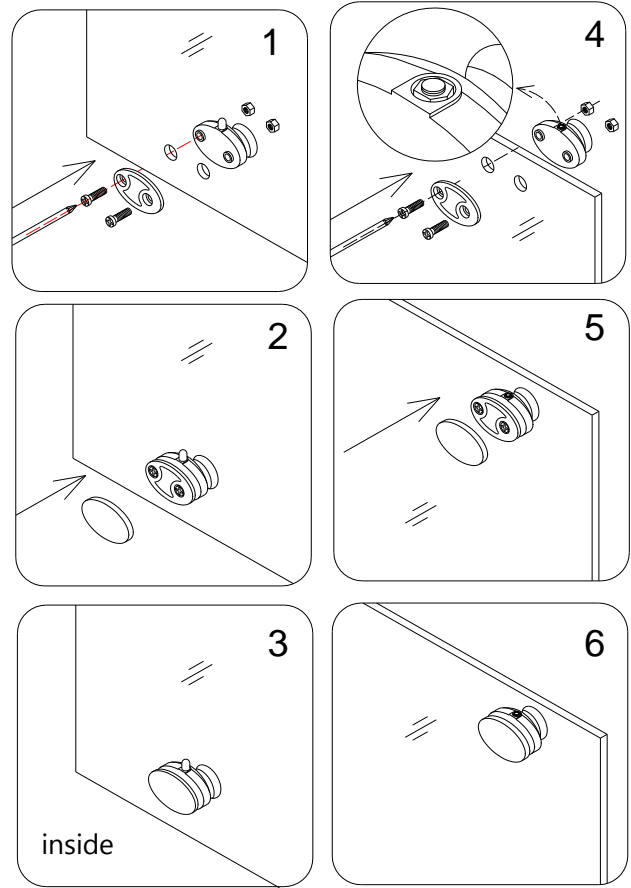


Fig. 12

13. Slide the top door wheels into the **top Guide rail (03)**. Push the bottom wheels into the **bottom Guide rail (03)** by pressing down on the press button.

If necessary, use a Phillips screwdriver #2 (**do not use a power screwdriver**) to adjust the upper wheels, make sure they roll smoothly and the door closes tight.

See Fig. 13 for details.

**TIP:** It may be easier to insert the bottom wheels into the bottom guide rail, lift the door up and snap the top wheels into the upper guide rail.

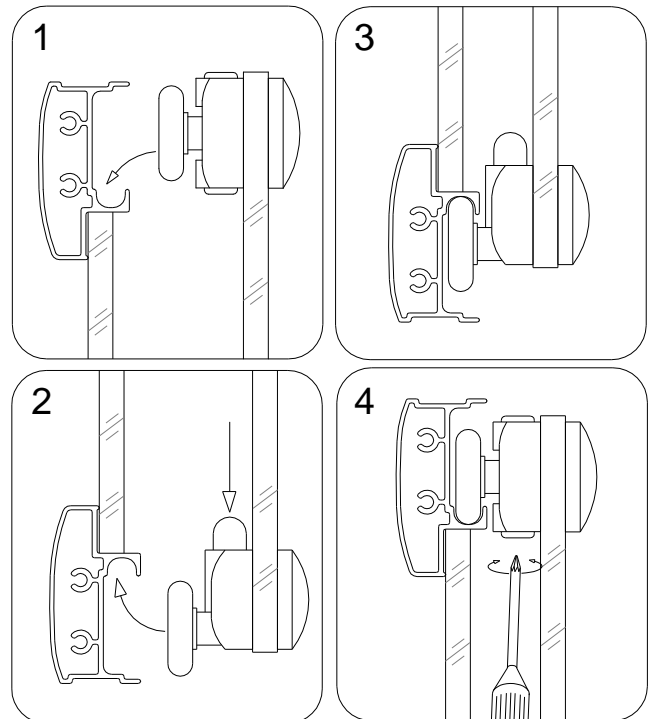


Fig. 13

14. Install the **Handle (06)** to the **Door Glass (04)**.  
 Press the **anti-water strips (07)** onto the vertical edges of the **Stationary glass (05)** and both vertical edges of the **Door Glass (04)**. Insert the **Seal gasket (15)** into the **Glass profile (01)** starting from the bottom. (Fig. 14.3)

See Fig. 14 for details.

**TIP:** The longer **anti-water strips (07)** attach to the edges of the **Door Glass (04)** and the shorter strip attaches to the edge of the **Stationary glass (05)**.

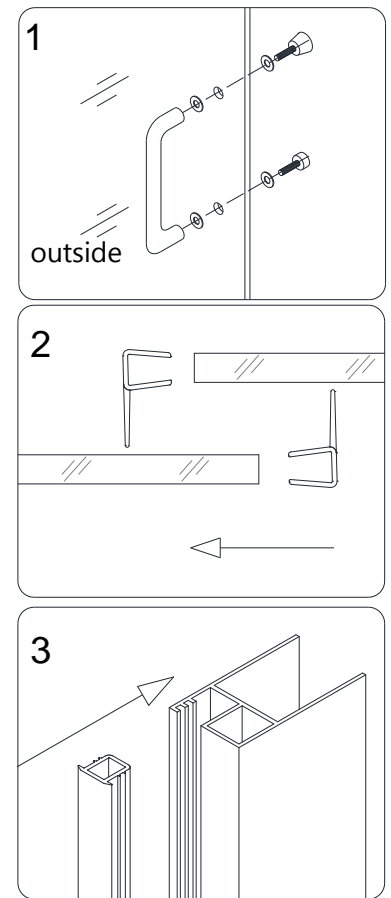


Fig. 14

15. Perform the final adjustments of the assembled unit in the **Wall profiles (02)** making sure that the bottom rail is tight to the threshold. Drill the holes in the center of the **Wall Profile (02)** into the **Glass profile (01)** using an  $\text{Ø } 1/8''$  drill bit.

**ATTENTION:**

**Do not drill the profiles throughout, only through the first layer of the wall and glass profiles.**

Secure the **Wall Profile (02)** to the **Glass profile (01)** using the **Round head screws ST4.2×10 (11)** and **raised white washers**.

Cover the exposed screw heads with the **Decorative covers (13)**.

See Fig. 15 for details.

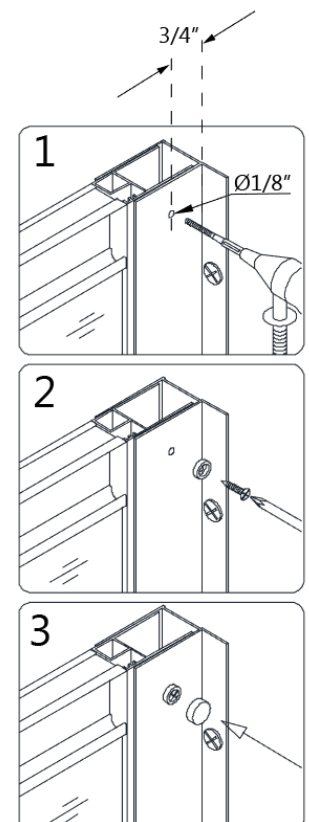
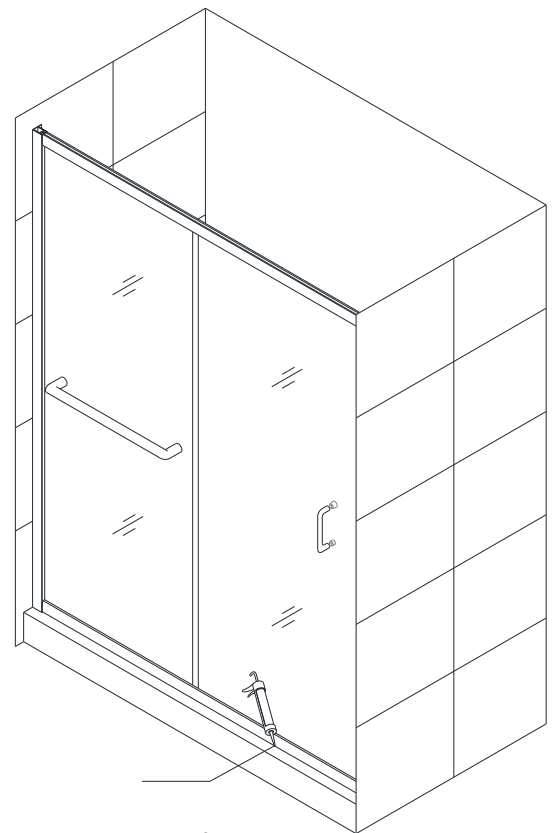
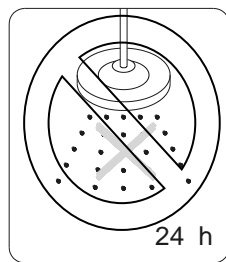
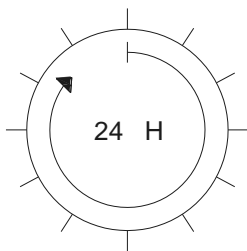


Fig. 15

16. Apply good quality mildew-resistant silicone along the profiles and guide rails; on the seams between the bottom guide rail and the profiles as well as along the shower base or threshold. Allow 24 hours for the silicone to cure before using the shower.

See Fig. 16 for details.



Waterproof  
Silicone

Fig. 16

## **Product Maintenance**

**BASES and BACKWALLS:** To ensure long lasting life for your acrylic back walls: wipe them off after each use with a soft cloth. To clean the acrylic back walls use non-abrasive sprays or cream based cleaners. Avoid the use of aerosol spray cleaners. Never use abrasive cleansers, metal brushes or scrapers that could scratch or dull the surface.

**GLASS:** To ensure long lasting life for your glass shower products: wipe them off after each use with a soft cloth. Rinse and wipe off the glass using either a soft cloth or a squeegee to prevent soap buildup and water spots (Hard water can etch the surface of the glass over time if left to dry). To prevent scratching the surface: never use abrasive cleaners or cleaning products that contain scouring agents. Never use bristle brushes or abrasive sponges that may scratch the surface.

**HARDWARE:** To ensure a long lasting finish: wipe off the metal parts after each use with a soft cloth. Do not use abrasive cleaners or cleaning products containing ammonia, bleach or acid. If accidentally used, rinse the surface as soon as possible to prevent damage to the finish (peeling or corrosion). After cleaning the polished finishes, rinse thoroughly and wipe dry with soft cloth. Clean stainless steel surfaces at least once a week. When applying stainless steel cleaner or polish to stainless steel hardware, work with (not across) the grain. Never use an abrasive sponge or cloth, steel wool or wired brush as these may permanently scratch the surfaces.

**NOTE:** To maximize the life of your door, it is important to regularly inspect the glass and other hardware for misalignment, proper attachment, and/or damage. Contact DreamLine with any questions or concerns.



---

TEL: [866-731-2244](tel:866-731-2244)

FAX: [866-857-3638](tel:866-857-3638)

[DREAMLINE.COM](http://DREAMLINE.COM)

For more information on [DreamLine<sup>®</sup> Shower Doors](http://DreamLine.com) and [Enclosures](http://DreamLine.com) please visit [DreamLine.com](http://DreamLine.com)