



MIRAGE-X / BELLA

Shower Door Installation Instructions

IMPORTANT

DreamLine® reserves the right to alter, modify or redesign products at any time without prior notice. For the latest up-to-date technical drawings, manuals or any other details please refer to your model's web page on **DreamLine.com**

MODEL #s

SHDR-1948723L-##

SHDR-1960723L-##

SHDR-1948723R-##

SHDR-1960723R-##

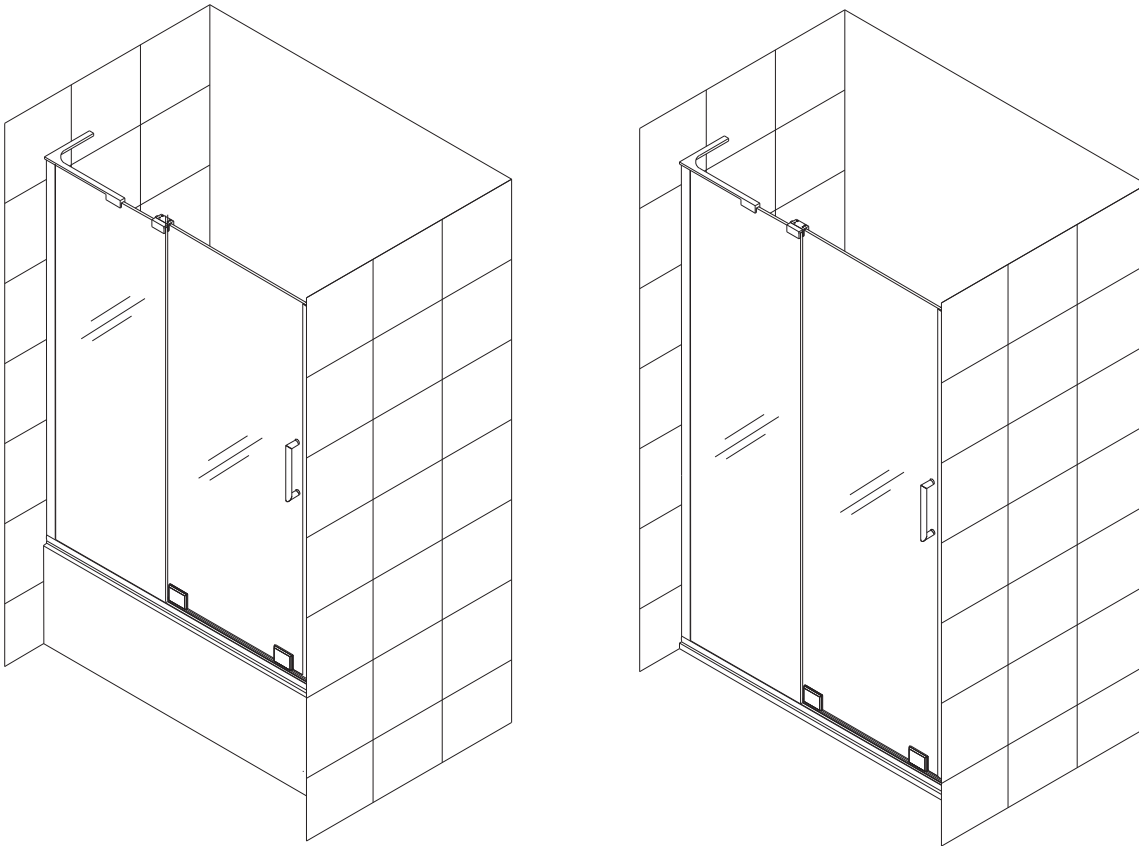
SHDR-1960580L-##

SHDR-1960580R-##

##=finish

01- Chrome

04- Brushed Nickel



Left hand panel installation shown

Please read these instructions carefully before installing. If you have any questions regarding installation, please contact our technical support specialists Monday through Friday 8:00 AM – 7:00 PM EST at Phone: 1-866-731-2244, Fax: 1-866-857-3638 or e-mail our technical support group at **Support@DreamLine.com**

For more information about DreamLine® Shower Doors & Tub Doors please visit **DreamLine.com**

Preparation

1. Prior to installation, examine all boxes and packages for shipping damage and compare the piece count with your packing slip. After opening all boxes and packages read this introduction carefully. Check that all of the needed parts are included in the package by checking off the components on the "Detailed Diagram of Shower Door Components". If the unit has been damaged, has a finishing defect, or has missing parts, please contact our customer support department within **3 business days** of the delivery date. **Please note that DreamLine® will not replace any damaged products or missing parts free of charge after 3 business days or if the product has been installed.** Feel free to contact DreamLine® if you have any questions, and please provide an order number, job name or other proof of purchase to help us identify your original order.

2. **Please note that you should consult your local building codes with questions on installation compliance standards.** Building and plumbing codes may vary by location, and DreamLine® is not responsible for code compliance standards for your project and will not accept any returns.

3. If this unit is going to be installed in a new construction, please install all of the required plumbing and drainage before installing the shower. Use a competent and licensed (if required by local code) plumber for all plumbing installation

4. Please make sure that prior to beginning the installation, the surfaces are leveled and solid and will be able to support the total weight of the unit. Also make sure the walls are at right angles. Irregular installation surface level, radius corners or improper angle of side walls will result in serious problems for your installation. Please, note that some adjustments and drilling might be necessary during the installation process.

5. Please protect all primary surfaces of the product during installation. Never set your glass down directly onto a tile floor. Leave corner protectors in place until necessary to remove them. Always use a piece of wood or cardboard to protect the bottom edge and corners of the glass prior to and during installation.

6. This unit must be installed upon a finished threshold and against finished walls.

7. This model can be adjusted up to 3/8" on the panel side for out-of-plumb conditions. Verify that your walls are plumb before proceeding with the installation.

8. This model requires that you drill into the threshold for proper installation

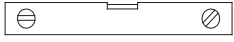
9. This model is available in either a shower height or a tub height. This manual will describe the steps showing a shower height model. Please follow the same sequence of installation steps for the tub height installation.

10. This model requires two installers.

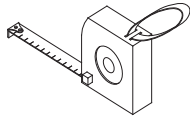
11. **This model is available with either a LEFT or RIGHT hand L-Bracket for support. Please be certain that you have ordered the correct model for your application prior to installation.**

NOTE: This manual will describe the shower door installation using a LEFT handed L-Bracket. For the Right handed L-Bracket installation, simply begin your installation on the opposite wall and reverse the orientation of the parts as necessary.

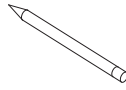
Tools



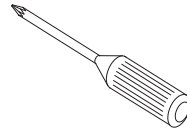
Level



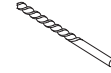
Tape Measure



Pencil



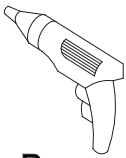
Phillips Screwdriver



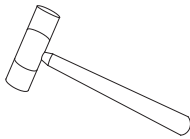
Drill bit
(D=8mm)
(D=5/16")



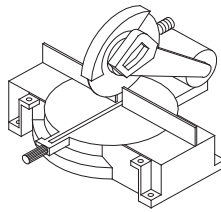
Drill bit
(D=3mm)
(D=1/8")



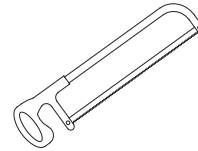
Power Drill



Hammer



Miter Saw or Hacksaw

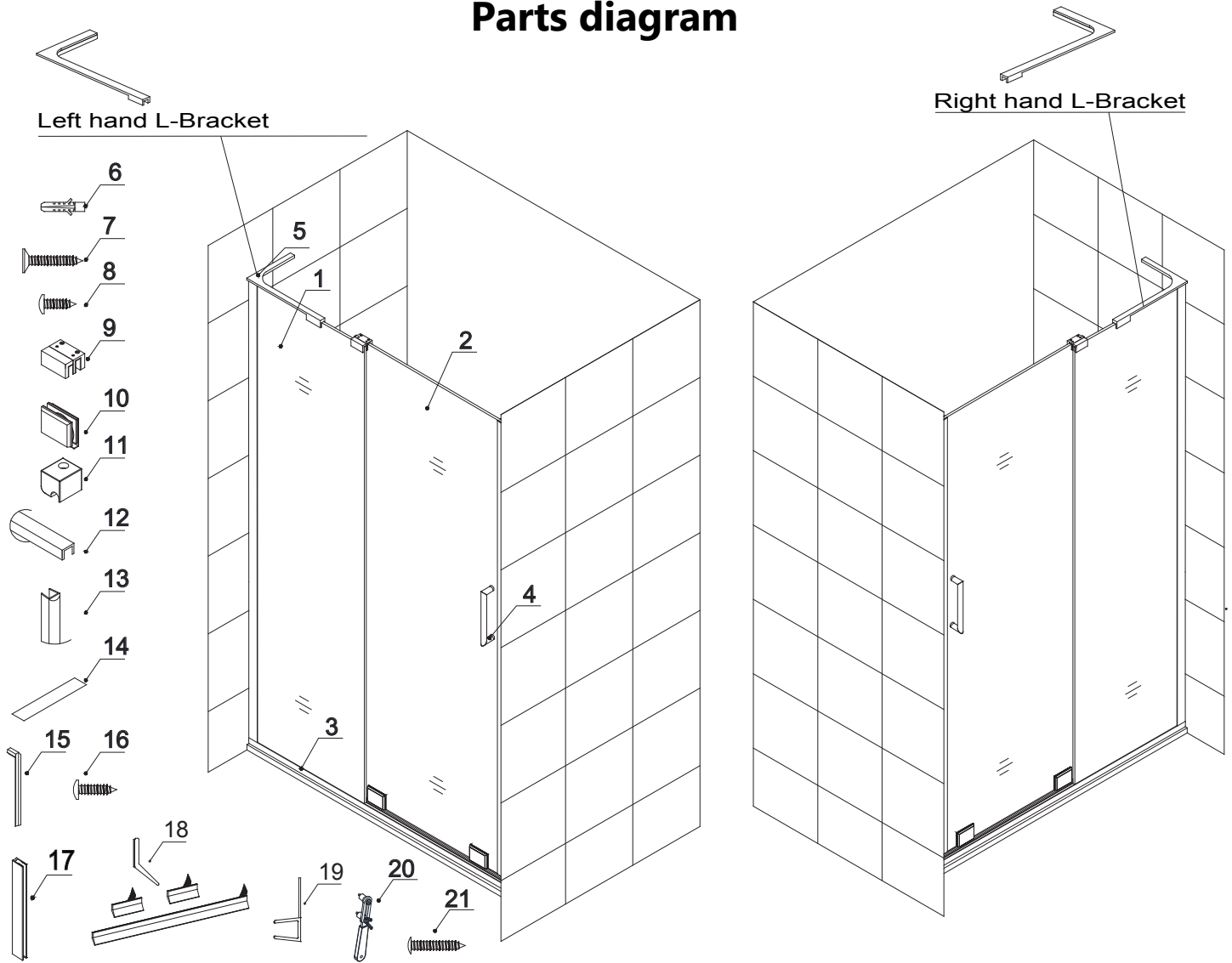


Caulk

NOTE: Unpack your unit carefully and inspect it. Lay it out and identify all parts using the detailed diagram and packing list in your manual as a reference. Before discarding the carton, check for small hardware bags that may have fallen to the bottom of the box. If any parts are damaged or missing, please contact DreamLine® for replacement. The shipping boxes may contain extra parts not used in your model configuration.

NOTE: Retain these installation instructions for future reference.

Parts diagram

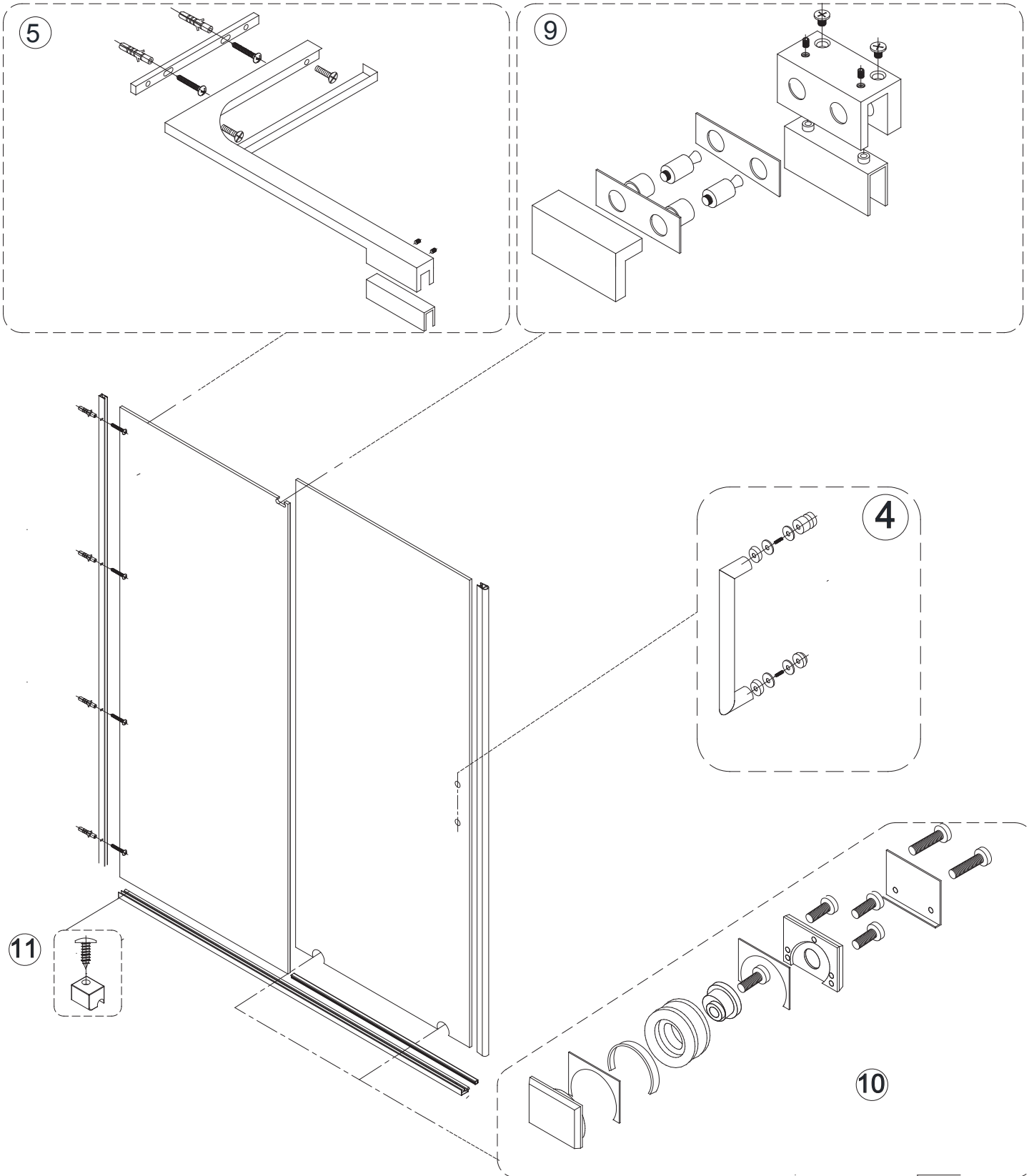


Parts List			#	ITEM	Qty
#	ITEM	Qty	11	Stopper	1pc
1	Stationary Glass	1pc	12	Bottom Rail Insert	1pc
2	Glass Door	1pc	13	Bumper Seal Strip	1pc
3	Bottom Guide Rail	1pc	14	0.5mm Bottom Spacer Strip	1pc
4	Handle (200mm centers)	1pc	15	Allen Wrench 2.5mm,3mm	1 each
5	L- Bracket (Left or Right)	1pc	16	Round Head screw ST4.2x30	3pcs
6	Ø8 Plastic Wall Anchor	7pcs	17	Wall Profile	1pc
7	Countersunk screw ST4.2x40	4pcs	18	Deflector (w/adhesive) (2x 82mm; 1x 484mm)	3pcs
8	Round Head screw ST4.2x20	1pc	19	Anti-Water Side Strip (1x 1804mm)	1pc
9	Guide Block	1pc	20	Roller Adjustment tool	1pc
10	Bottom Roller	2pcs	21	Small Truss Head screw ST4.2x40	4pc

Boxes

#	Box	Detailed Components (Part #)	Qty
1	Glass Box (GL)	1. 2. 13. 14. 18. 19.	
2	Aluminum Acc Box (AC)	3. 4. 6. 7. 8. 9. 10. 11. 12. 15. 16. 17. 20.	
3	Spare Accessory bag	6. 7. 21.	3 each

Assembly diagram



Installation steps

1. Measure the finished opening at the top, middle and bottom.

The bottom width dimension will be "**W**". Also check the threshold for level and the walls for plumb.

Note that this model does not have adjustment for out-of-plumb conditions.

See Fig 1 for details

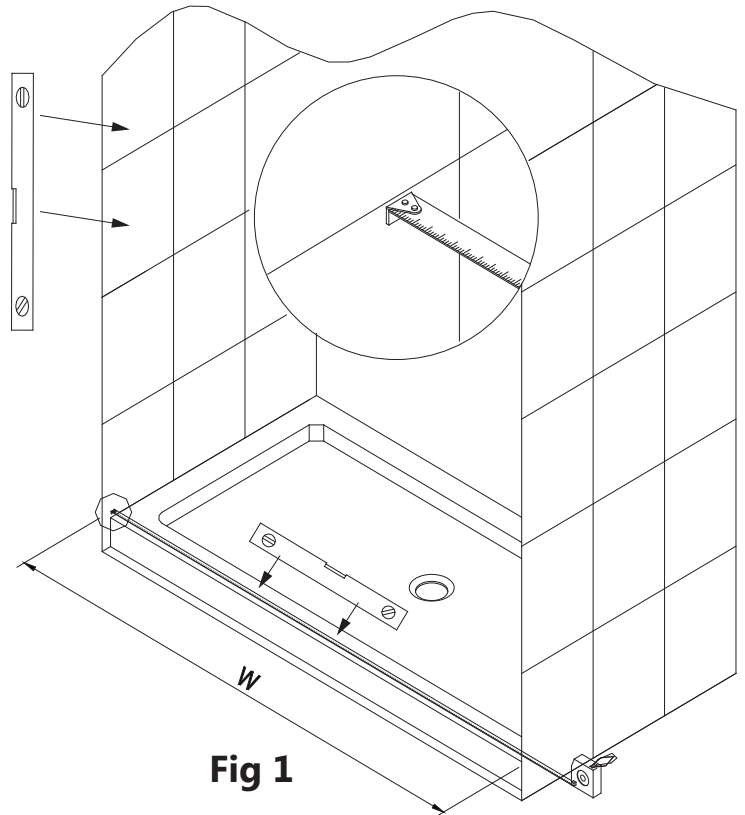


Fig 1

2. Subtract 1/16" from your "**W**" dimension. ($W - 1/16" = L$) "**L**" = finished cut length.

Use a miter saw or hack saw to cut your **Bottom Guide Rail (#03)** to the finished cut length "**L**".

NOTE: Cut from the end of the rail that will be on the door side.

See Fig 2 for details

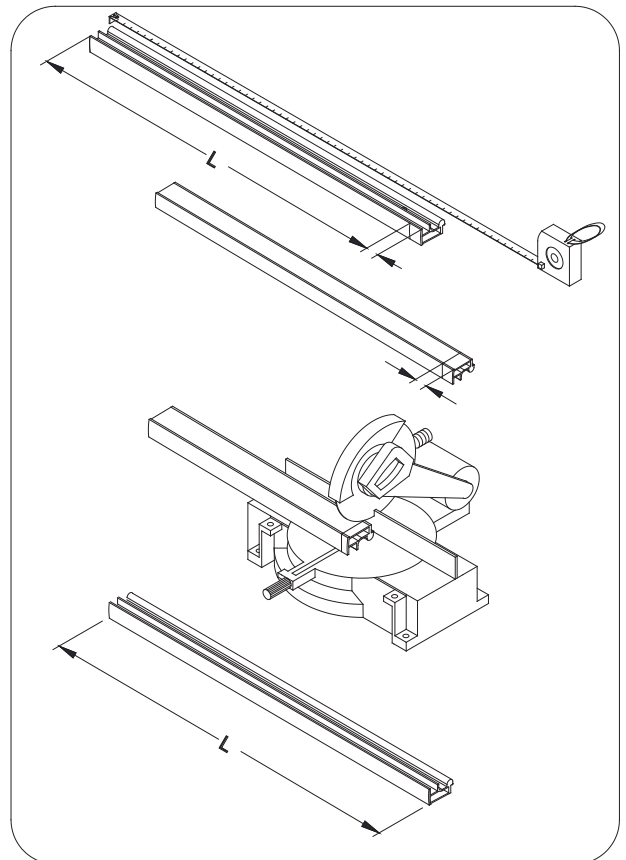


Fig 2

NOTE: If it is necessary to drill new attachment holes into the bottom guide rail after cutting to size : drill a $\text{Ø}3/16"$ hole throughout and then a $\text{Ø}5/16"$ hole through the top layer only. (Refer to the existing holes in the rail for example)

3. Position your **Bottom Guide Rail (#03)** onto the threshold and mark its position. Use a tape measure to keep it parallel with the threshold.

See Fig 3 for details

4. Mark the position of the holes on the threshold through the holes in the **Bottom Guide Rail (#03)**

***NOTE:** Use a power drill to make the holes using:
▪ $\text{Ø}1/8''$ drill bit (for installation into acrylic threshold)
▪ $\text{Ø}5/16''$ drill bit (using anchors into a tile threshold)**

Apply silicone to the underside of the **Bottom Guide Rail (#03)** and attach it to the threshold using:

▪ **ST4.2 x 30mm TH screws (#16) OR**
▪ **ST4.2 x 40mm TH screws (#21) (with anchors for tile).**

See Fig 4 for details

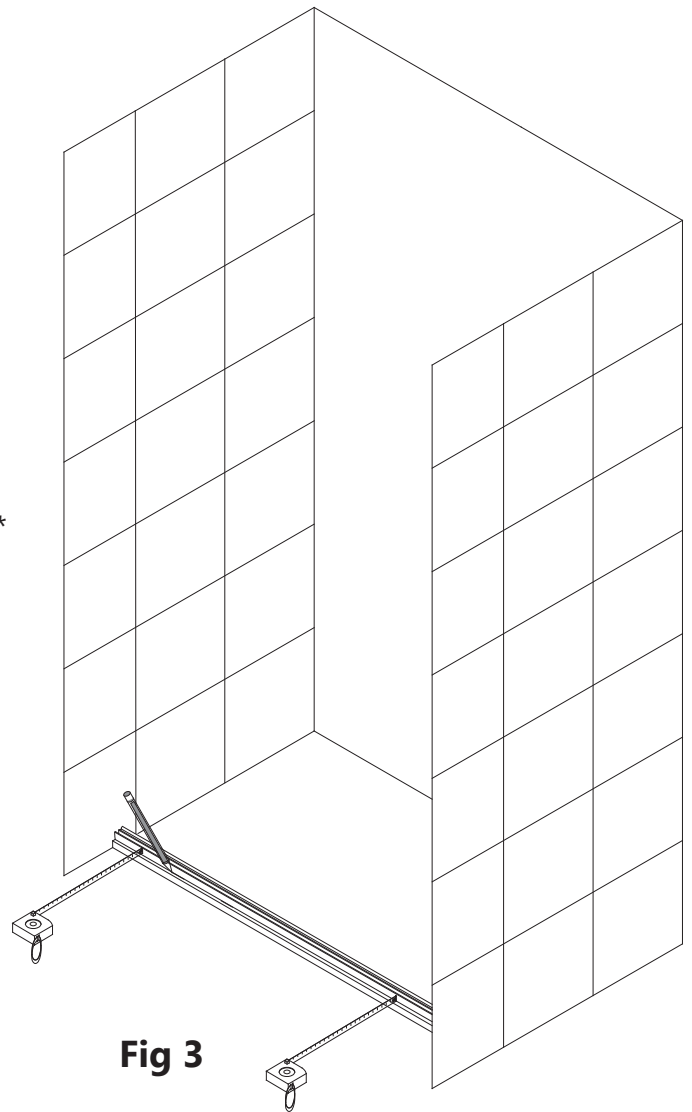


Fig 3

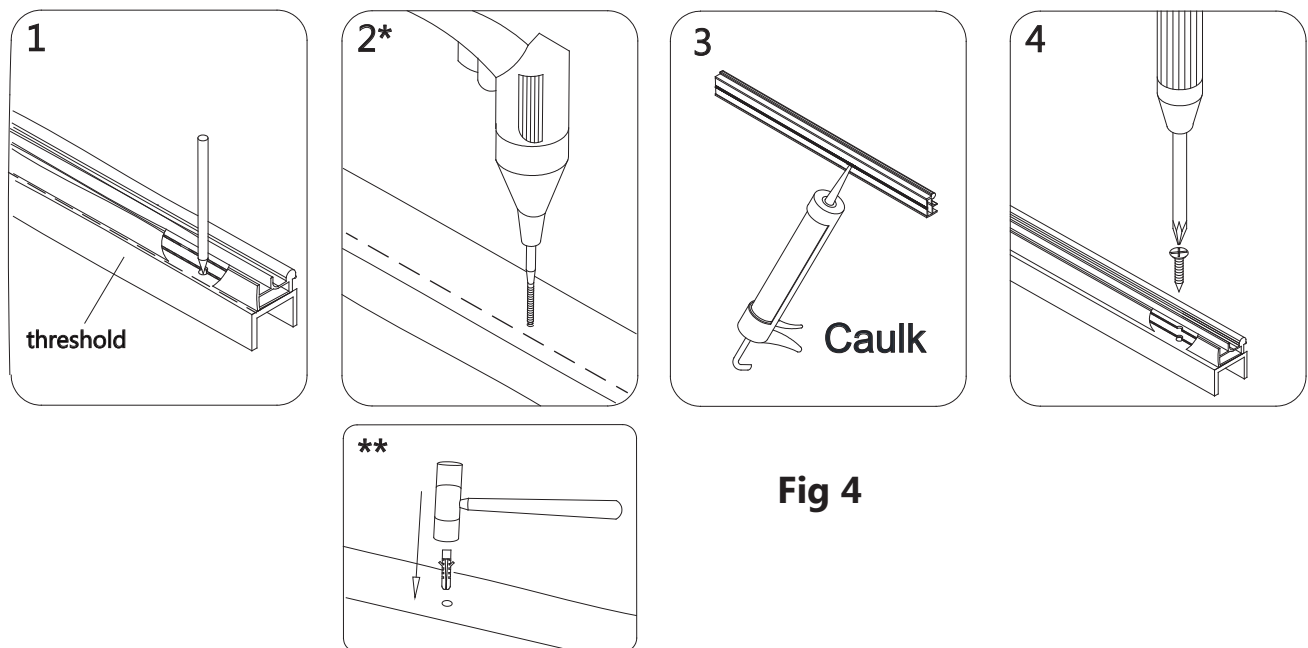


Fig 4

5. Remove the temporary screw from the stopper hole in the **Bottom Guide Rail (#03)** and install the **Rubber Stopper Block (#11)** onto the **Bottom Guide Rail (#03)** on the stationary panel side using the pre-drilled $\text{\O}1/8''$ hole and attach using the **ST4.2 x 20 screw (#08)**. (Left hand installation shown). Cover the screw with the supplied rubber plug.

See Fig 5 for details

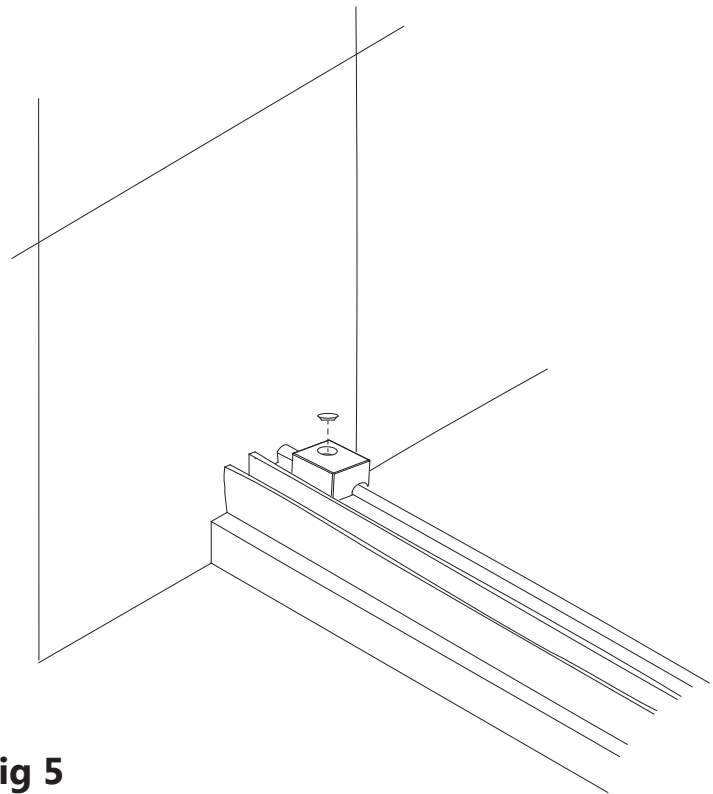
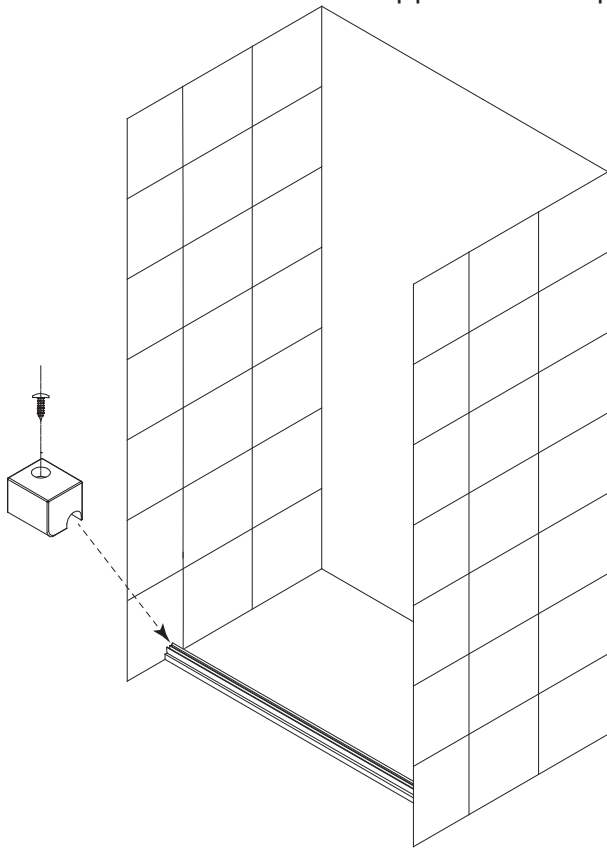


Fig 5

6. Position the **Wall Profile (#17)** against the wall for the stationary panel installation and make it plumb using a level.

See Fig 6 for details

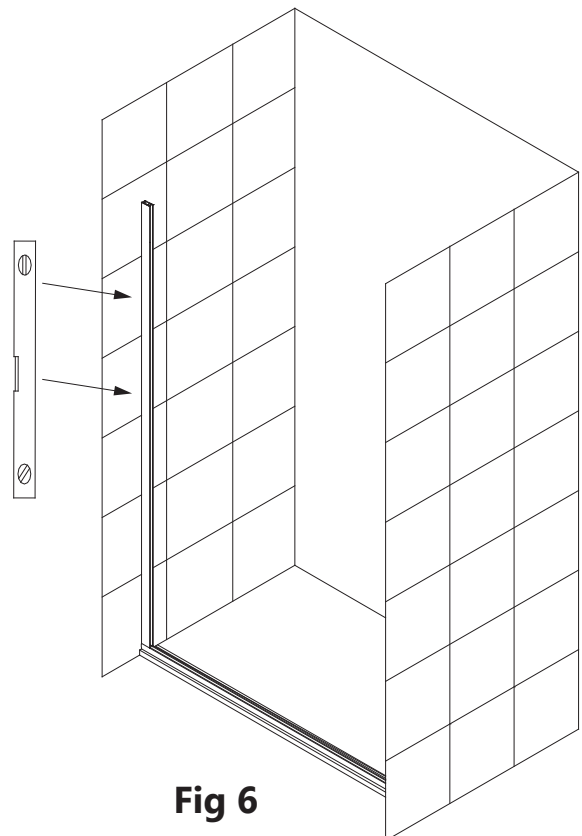


Fig 6

7. Mark the **Wall Profile's (#17)** position on the wall and also mark the hole locations for drilling. Remove the **Wall Profile (#17)** and drill **Ø5/16" (6mm)** holes into the wall. Insert the **Wall Anchors (#06)**. Apply a bead of silicone to the wall or to the back of the **Wall Profile (#17)**. Attach the **Wall Profile (#17)** to the wall using the **ST4.2 x 40 screws (#07)**.

See Fig 7 for details

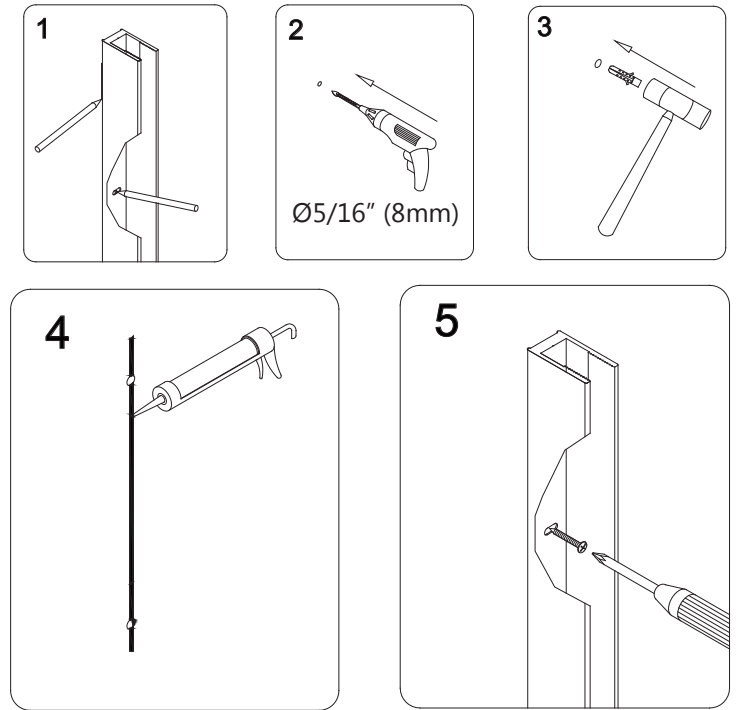


Fig 7

8. Cut the **0.5mm Bottom Spacer Strip (#14)** into three to four 2" pieces and place them into the **Bottom Guide Rail (#03)** to protect the bottom of the **Stationary Glass (#01)**. Be sure to position **0.5mm Bottom Spacer Strips (#14)** beneath both of the bottom corners of the **Stationary Glass (#01)**.

See Fig 08 for details

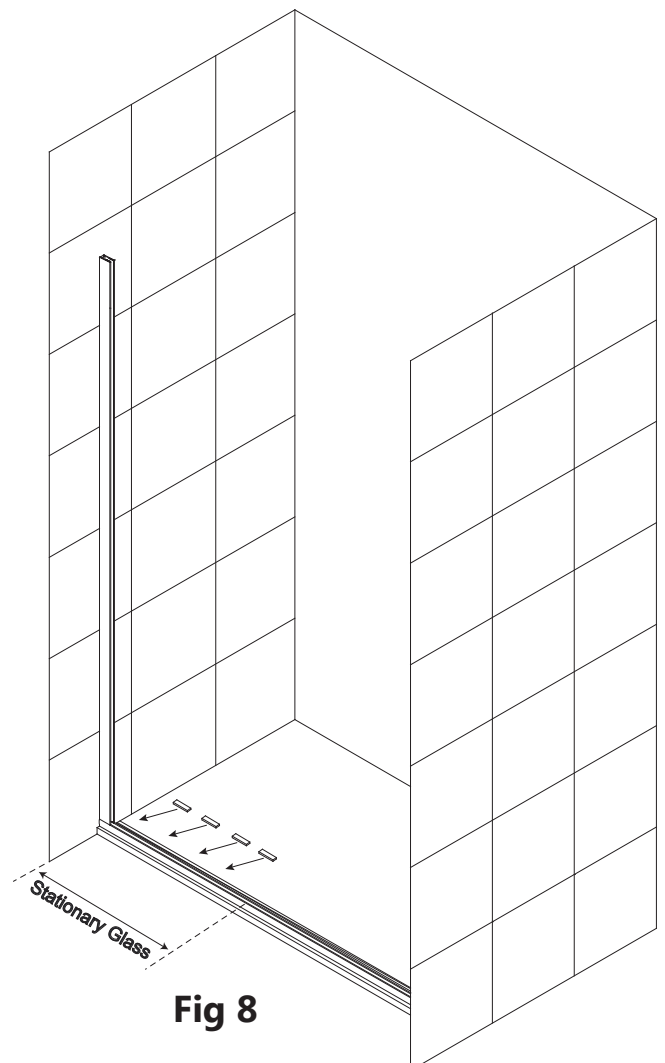
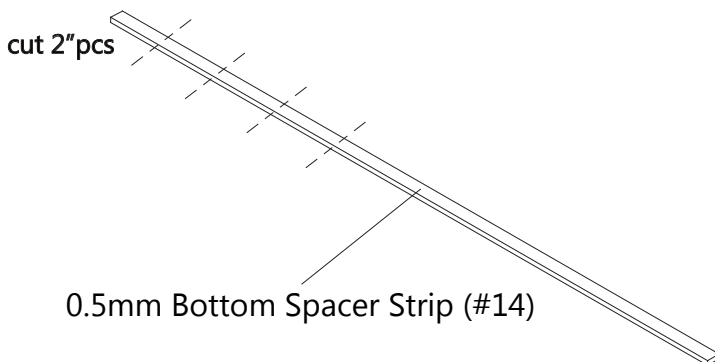


Fig 8

9. Apply silicone to the inside of the **Wall Profile (#17)** and into the **Bottom Guide Rail (#03)** equal to the width of the glass.

See Fig 9 for details

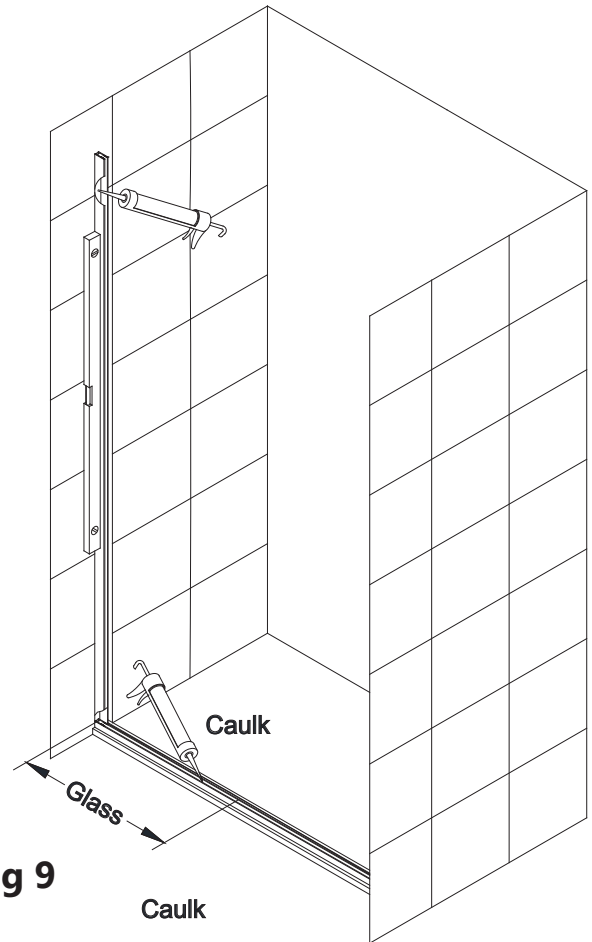


Fig 9

10. Install the **Stationary Glass (#01)** into the **Wall Profile (#17)** and **Bottom Guide Rail (#03)**

See Fig 10 for details

NOTE: The **Wall Profile (#17)** will allow for up to 3/8" out-of-plumb. Use a level on the **Stationary Glass (#01)** to confirm that it is installed plumb and level.

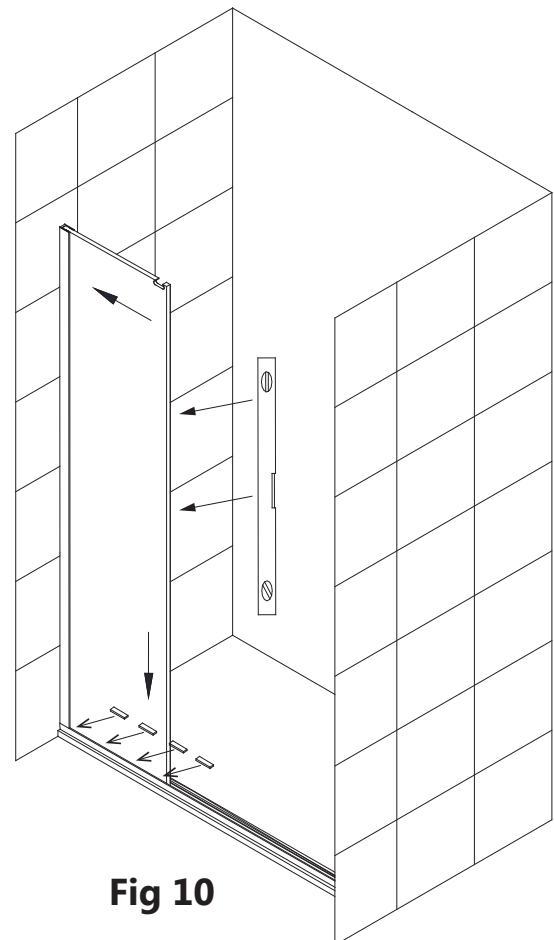
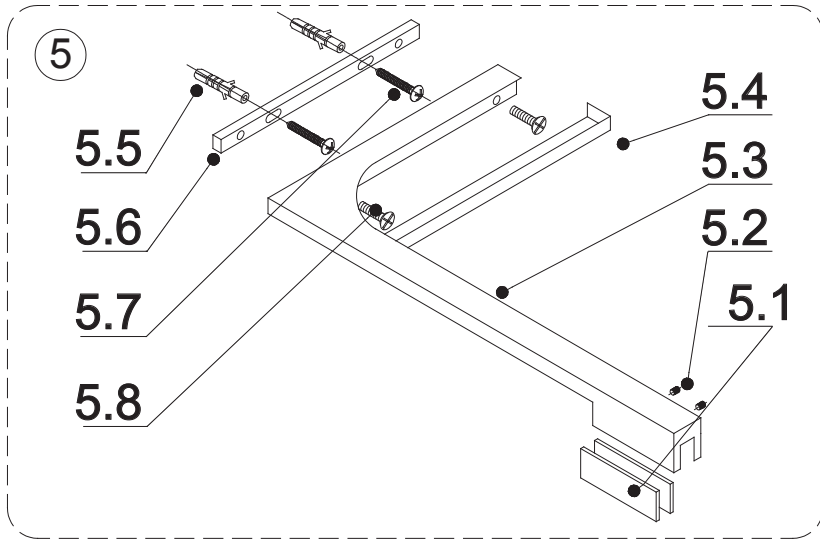
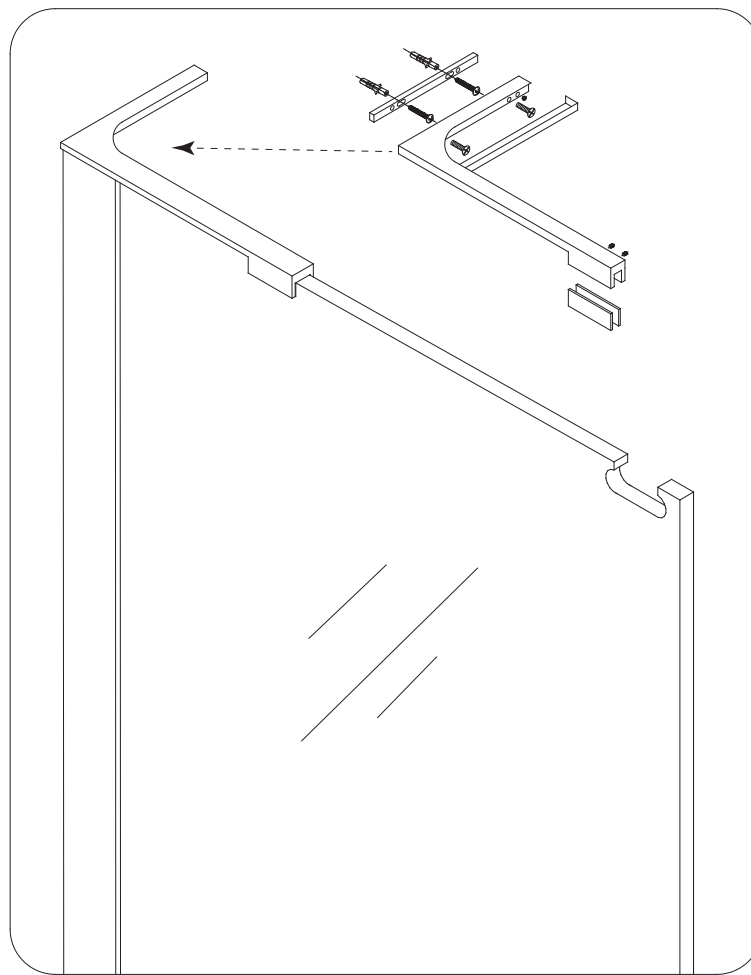


Fig 10



L-Bracket Assembly (#05) components

5.1	Rubber pad	1pc
5.2	M5 rubber tip set screw	2pcs
5.3	L-Bracket	1pc
5.4	Decorative cover	1pc
5.5	Wall Anchor	6pcs
5.6	Wall Plate	1pc
5.7	ST4.2x40	6pcs
5.8	M5x14 Screw	2pcs



Left hand L-Bracket installation shown

11. Position the **L-bracket assembly (#05)** onto the **Stationary Glass (#01)** as shown and mark the position. Remove the **Wall Plate (#5.6)** and mark the holes for drilling **Ø5/16" (8mm) holes** and insert the wall anchors. Attach the **Wall Plate (#5.6)** using **ST4.2 x 40 (#5.7)** screws.

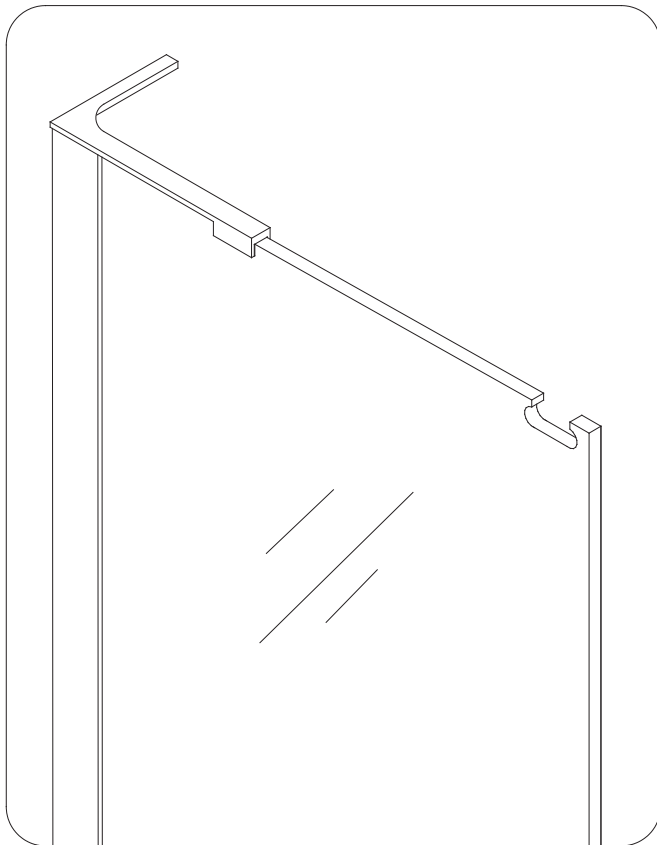
Re-attach the **L-Bracket (#5.3)** to the **Wall Plate (#5.6)** and adjust the angle if necessary using the set screws (Fig 11.7& 11.8).

Adjust (+/- 3/16" (4mm)) the **Stationary Glass (#01)** to plumb and tighten the screws.

Attach the **Decorative Cover (#5.4)**.

Secure the **L-Bracket (#05)** to the top of the **Stationary Glass (#01)** using the clear gasket and rubber tipped set screws.

See Fig 11 for details



Left hand L-Bracket installation shown

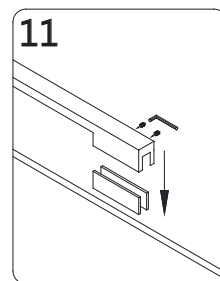
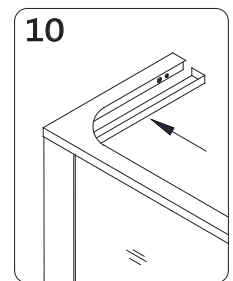
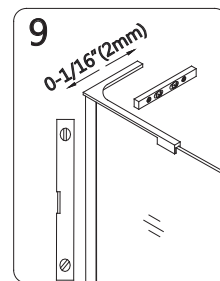
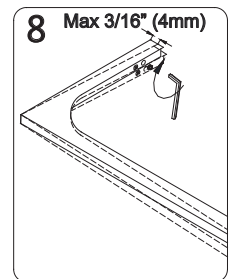
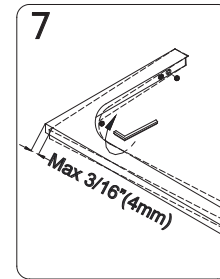
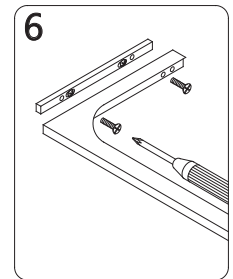
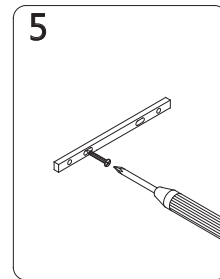
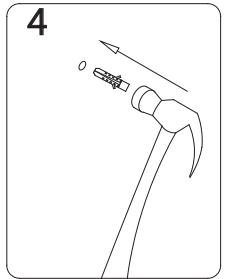
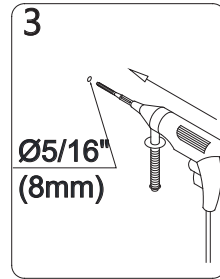
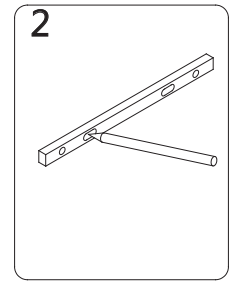
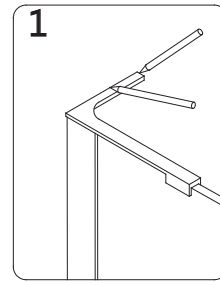
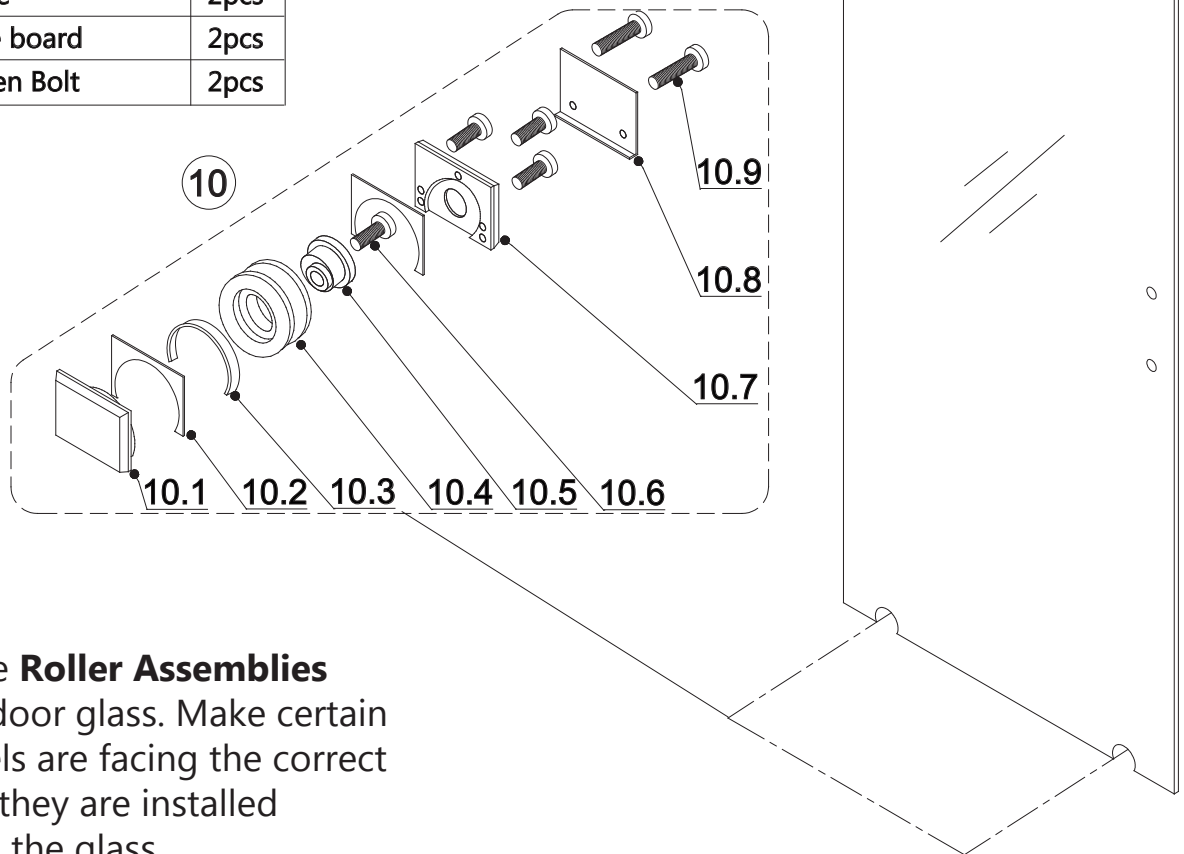


Fig 11

Roller Assembly (#10) components / pair

10.1	Roller body (exterior)	2pcs
10.2	Rubber pad 1	4pcs
10.3	Rubber pad 2	2pcs
10.4	Bearing	2pcs
10.5	Eccentric shaft	2pcs
10.6	M5x14 Allen Bolt	8pcs
10.7	Cover plate	2pcs
10.8	Decorative board	2pcs
10.9	M5x16 Allen Bolt	2pcs



12. Attach the Roller Assemblies (#10) to the door glass. Make certain that the wheels are facing the correct way and that they are installed squarely onto the glass.

See Fig 12 for details

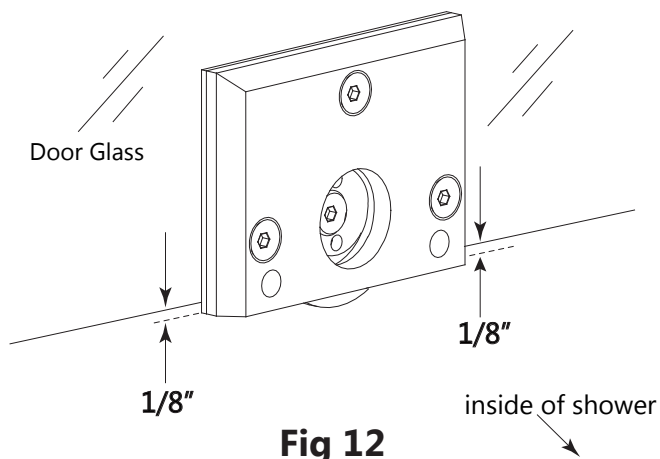


Fig 12

NOTE:

DO NOT install the handle onto the door glass until instructed to do so.
DO NOT lift the glass using the handle. This could result in damage to the glass and /or serious personal injury.
 Always use an assistant or a professional grade glass suction cup when handling heavy glass.

13. Set the **Glass Door (#02)** with the attached **Bottom Roller assemblies (#10)** onto the **Bottom Guide Rail (#03)**.

See Fig 13 for details

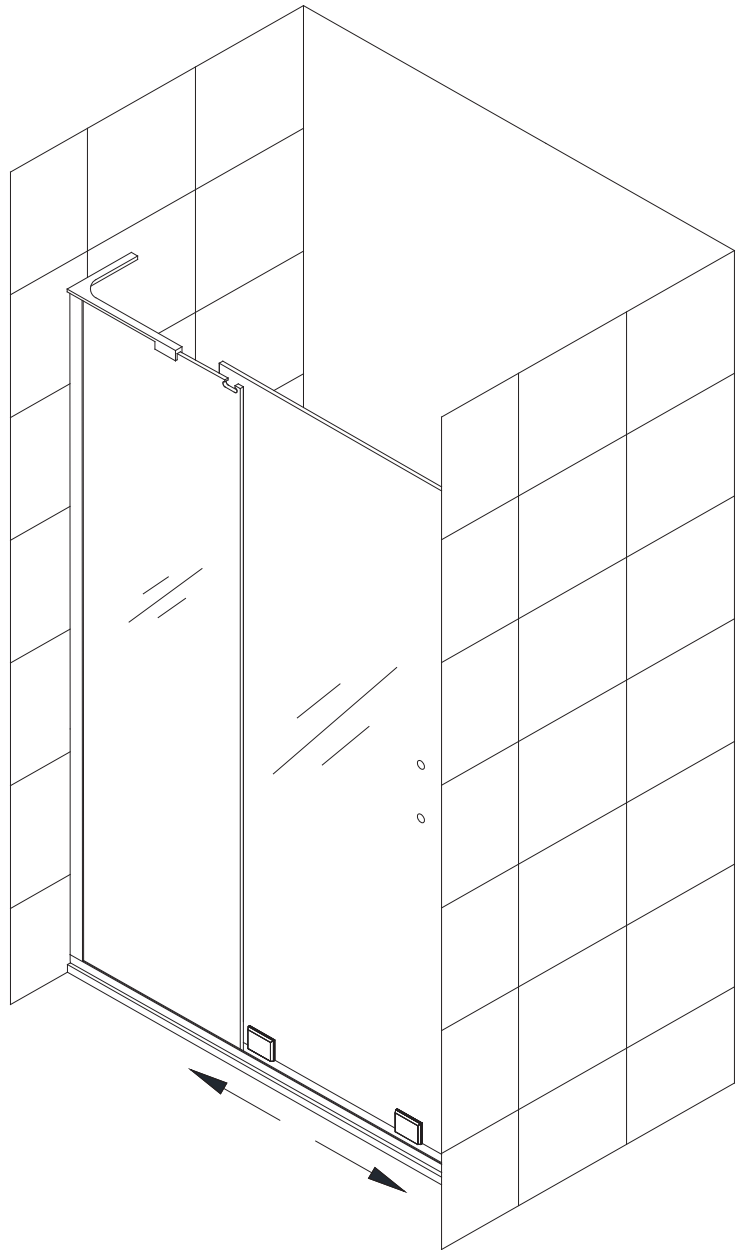
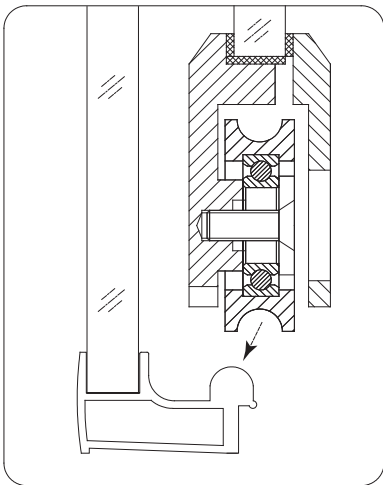
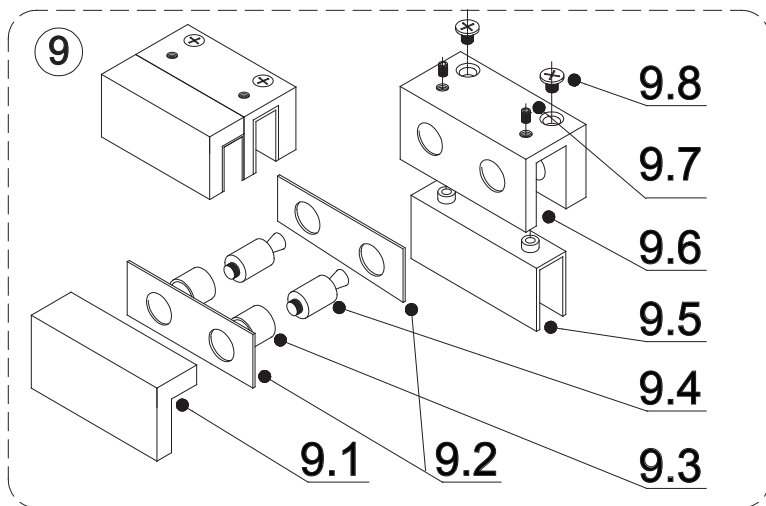


Fig 13

NOTE:

You will need an assistant to hold the door glass in position during the next steps until the door is secured in position with the **Guide Block Assembly (#09)**.



9.1	Exterior Slider Bracket (for panel)	1pc
9.2	Gasket	2pcs
9.3	Rubber sleeve	2pcs
9.4	Shaft	2pcs
9.5	Sliding pad	1pc
9.6	Sliding Guide Block (for door)	1pc
9.7	M5x10 set screw	2pcs
9.8	M4x4 flat head screw	2pcs

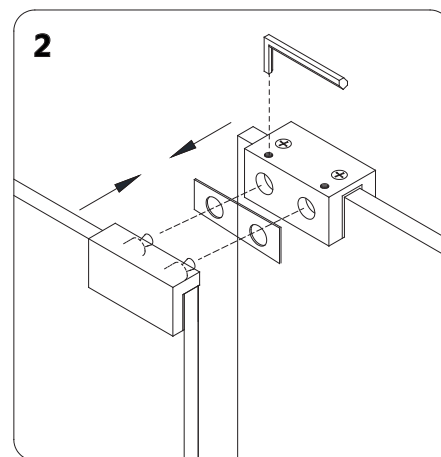
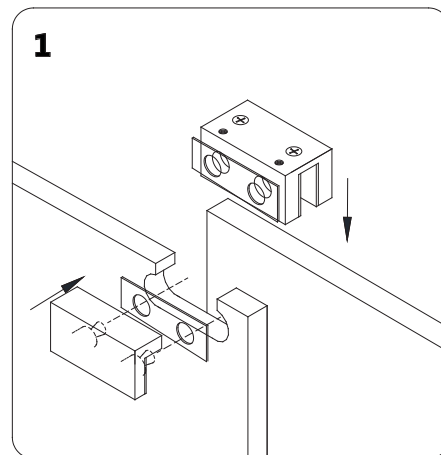
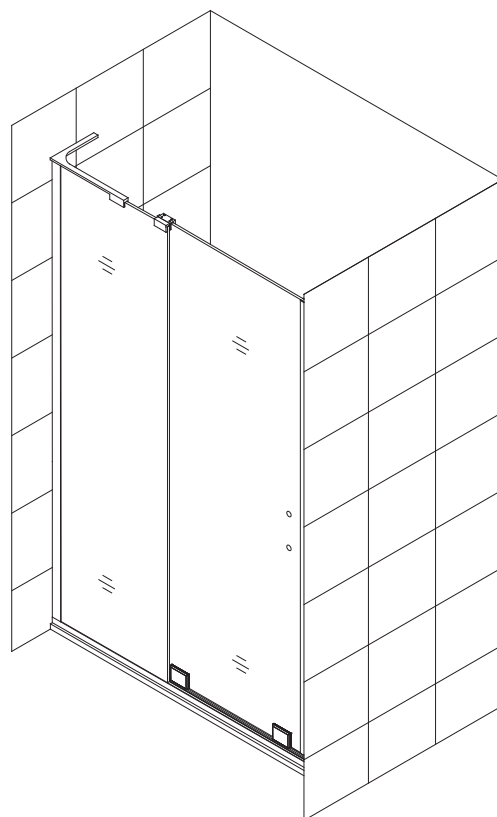


Fig 14

14. Attach the **Exterior Slider Bracket (#9.1)** through the notch of the installed **Stationary panel glass (#01)** as shown in Fig 14.1, using the **Gasket (#9.2)** and **Rubber Sleeves (#9.3)**. Next, while holding the door glass in place, position the sliding guide block onto the door glass and attach the two halves of the **Guide Block (#09)** with the **M5 x 10 set screws (#9.6)** using **Allen wrench (#15)** (Fig 14.2)

See Fig 14 for details



15. Install the **Handle (#04)** to the outside of the **Door Glass (#02)**.(Fig 15.1)
 Attach the **Bumper Seal Strip (#13)** to the closing edge of the **Door Glass (#02)**. (Fig 15.2)
 Apply silicone into the **Bottom Guide Rail (#03)** and install the **Bottom Rail Insert (#12)** (Fig 15.3).

See Fig 15 for details

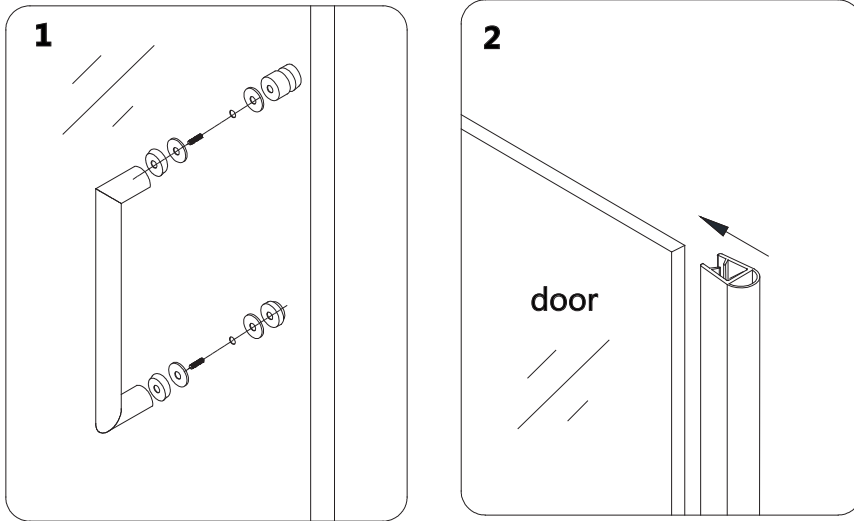


Fig 15

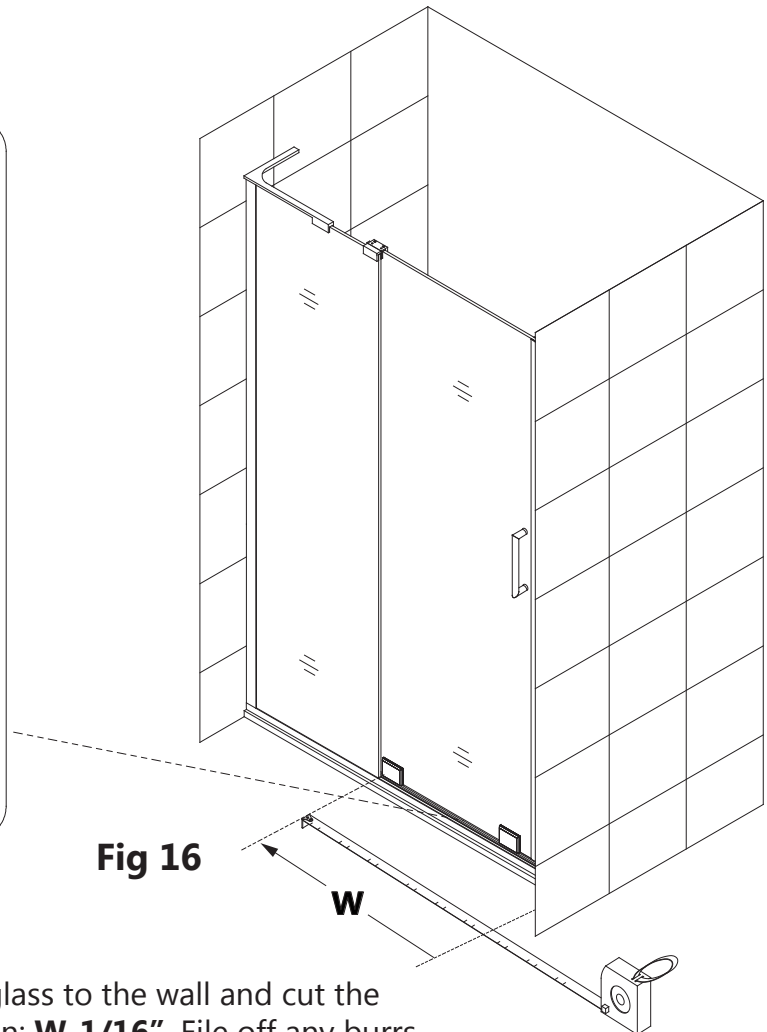
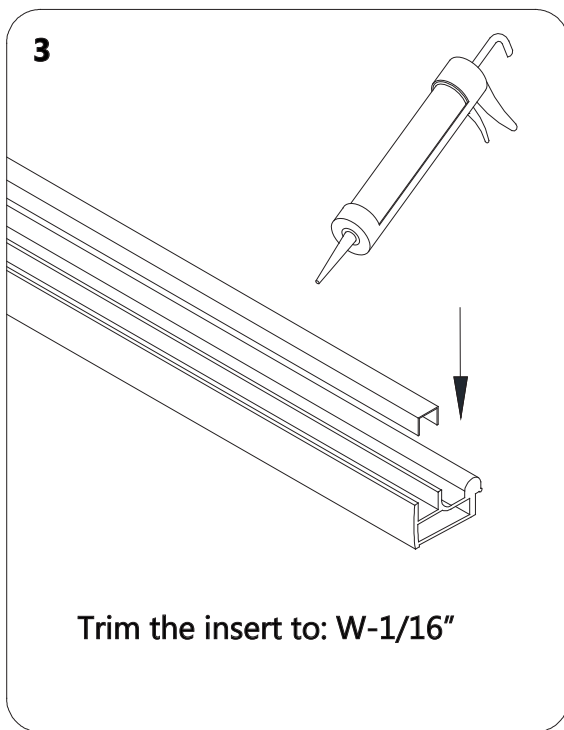


Fig 16

16. Measure from the edge of the panel glass to the wall and cut the **Bottom Rail Insert (#12)** to this dimension: **W-1/16"**. File off any burrs from the cut end. Apply silicone into the **Bottom Guide Rail (#03)** and install the **Bottom Rail Insert (#12)**.

17. Adjust the **Bottom Rollers (#10)** as shown. The door should operate smoothly and create a good seal with the wall.
 Loosen the **Allen Bolt** and then rotate the **adjusting disk** using the **Roller adjustment tool (20)** as shown.
 Hold the door glass in the desired position and re-tighten the allen bolt.

See Fig 17 for details

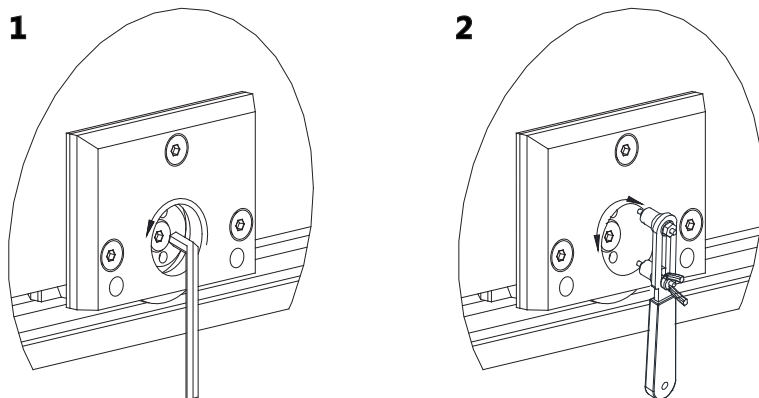
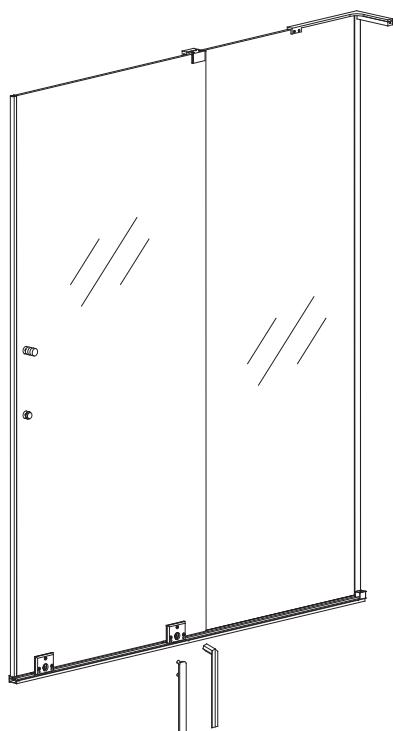
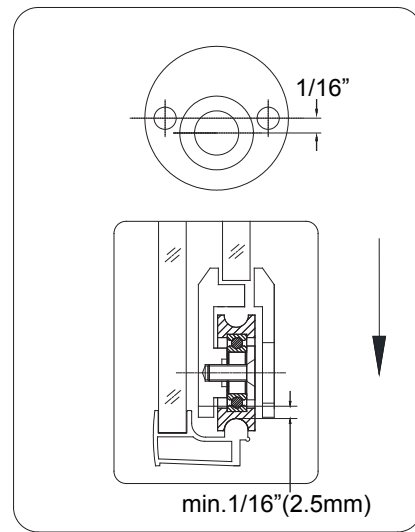
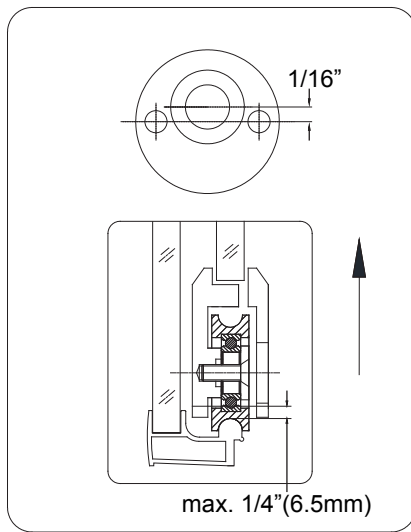
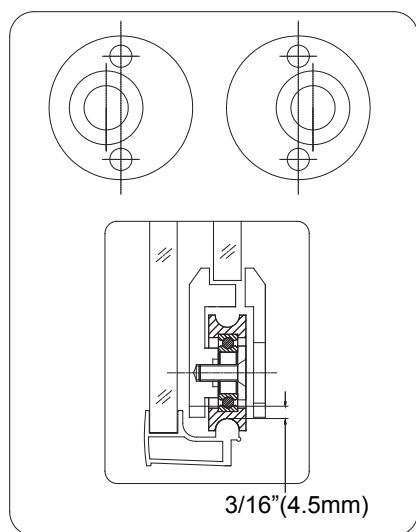


Fig 17



18. Attach the roller **Cover Plate (#10.8)**, leaving approximately 1/16" of clearance beneath the bottom rail. Re-adjust if the plate makes contact with the bottom rail.

See Fig 18 for details

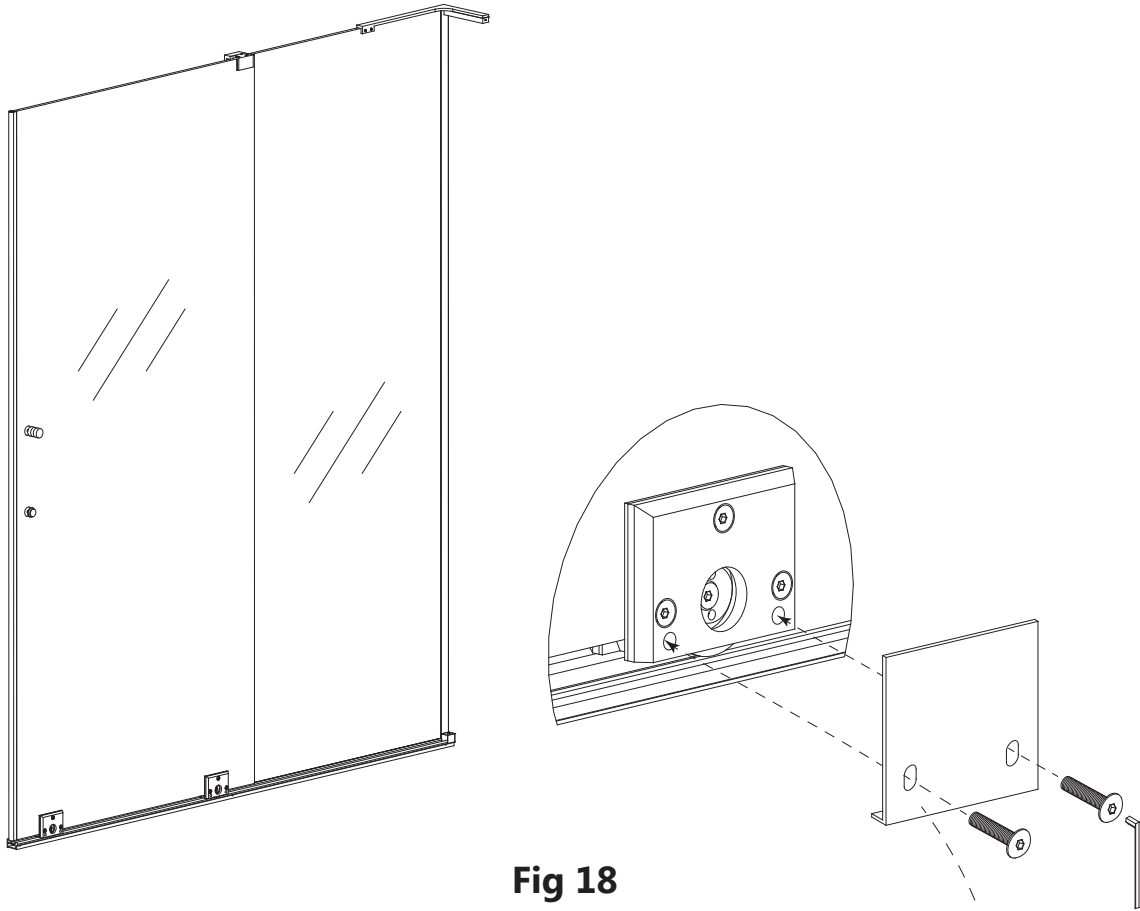
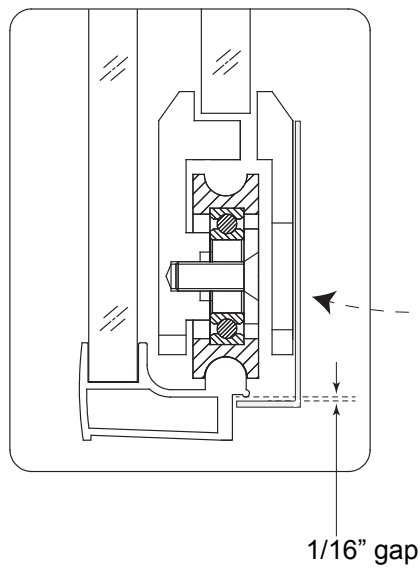


Fig 18



19. Remove the paper strip from the adhesive backing of the **Deflector (#18)** and attach all three strips to the bottom edge of the door glass as shown. Attach the **Anti-water side strip (#19)** to the edge of the door glass. (Notch off the inside bottom to fit around the **Deflector (#18)**).

See Fig 19 for details

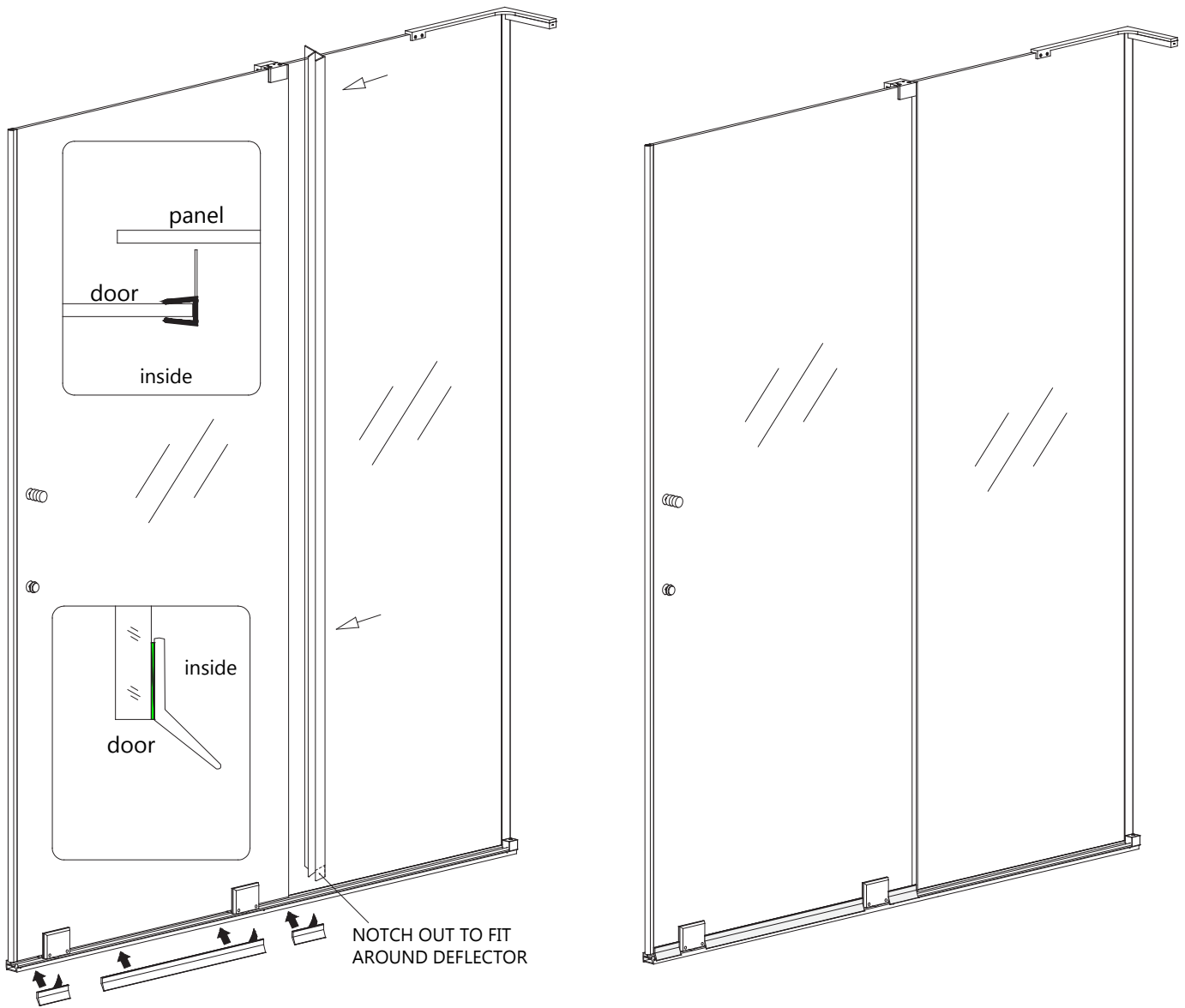


Fig 19

- 20.** Apply a good quality mildew-resistant silicone along the wall profile and bottom rail.
Allow 24 hours for the silicone to fully cure before first use.

See Fig 20 for details

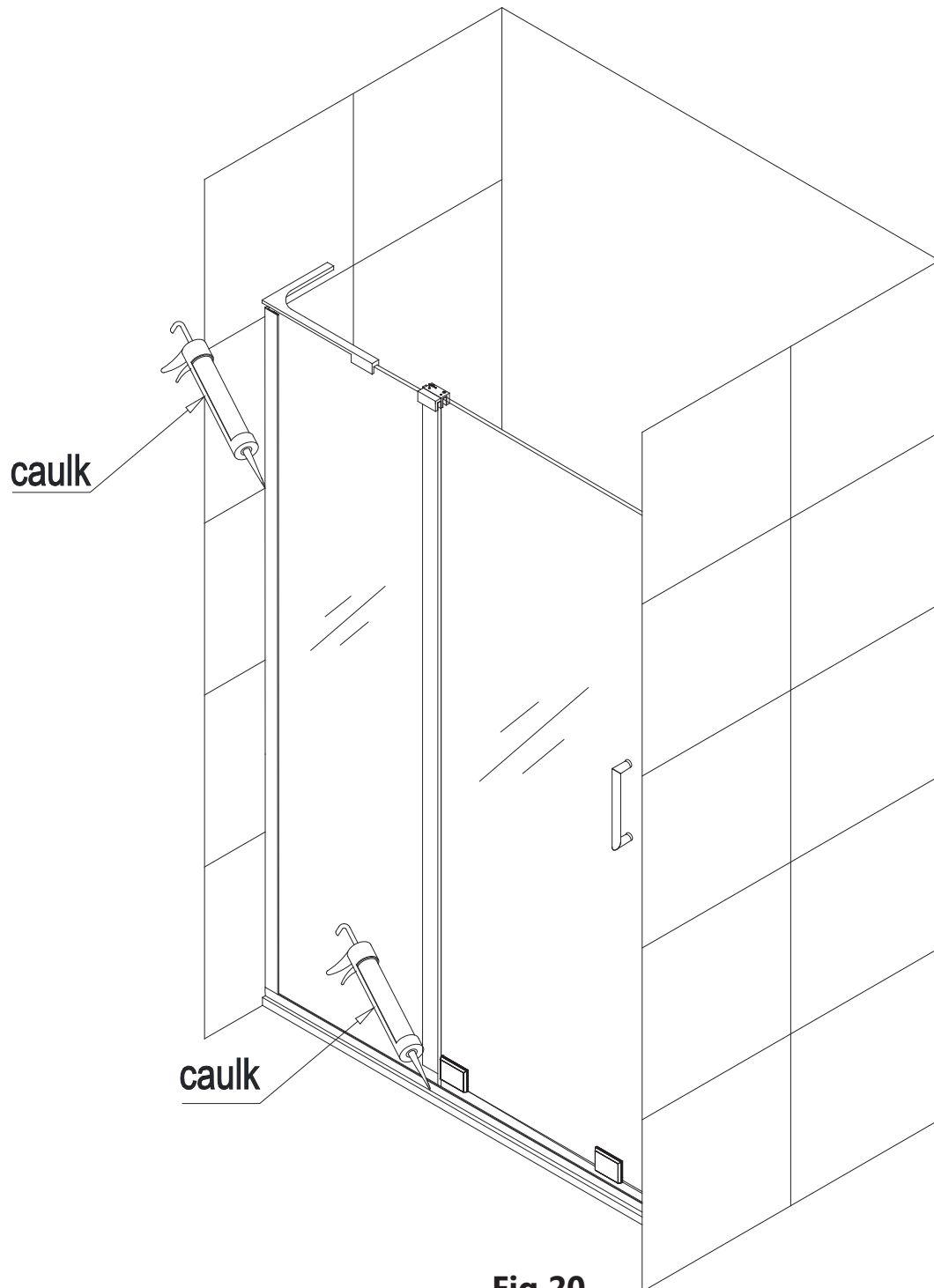


Fig 20

Product Maintenance

BASES and BACKWALLS: To ensure long lasting life for your acrylic back walls: wipe them off after each use with a soft cloth. To clean the acrylic back walls use non-abrasive sprays or cream based cleaners. Avoid the use of aerosol spray cleaners. Never use abrasive cleansers, metal brushes or scrapers that could scratch or dull the surface.

GLASS: To ensure long lasting life for your glass shower products: wipe them off after each use with a soft cloth. Rinse and wipe off the glass using either a soft cloth or a squeegee to prevent soap buildup and water spots (Hard water can etch the surface of the glass over time if left to dry). To prevent scratching the surface: never use abrasive cleaners or cleaning products that contain scouring agents. Never use bristle brushes or abrasive sponges that may scratch the surface.

HARDWARE: To ensure a long lasting finish: wipe off the metal parts after each use with a soft cloth. Do not use abrasive cleaners or cleaning products containing ammonia, bleach or acid. If accidentally used, rinse the surface as soon as possible to prevent damage to the finish (peeling or corrosion). After cleaning the polished finishes, rinse thoroughly and wipe dry with soft cloth. Clean stainless steel surfaces at least once a week. When applying stainless steel cleaner or polish to stainless steel hardware, work with (not across) the grain. Never use an abrasive sponge or cloth, steel wool or wired brush as these may permanently scratch the surfaces.



TEL: 866-731-2244
FAX: 866-857-3638

For more information on DreamLine® Shower Doors and Enclosure please visit **DreamLine.com**