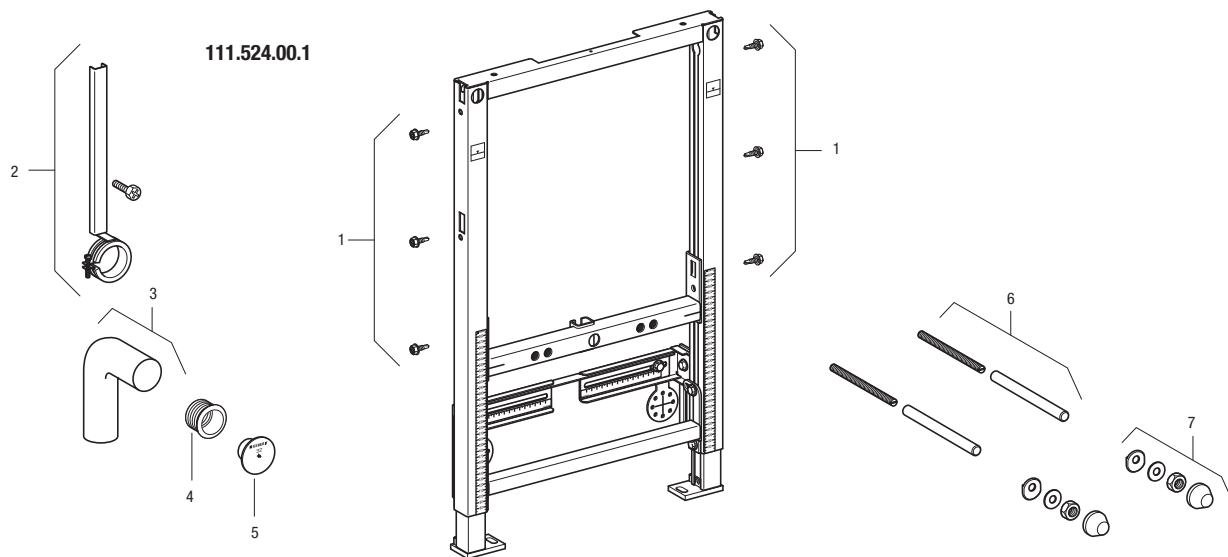
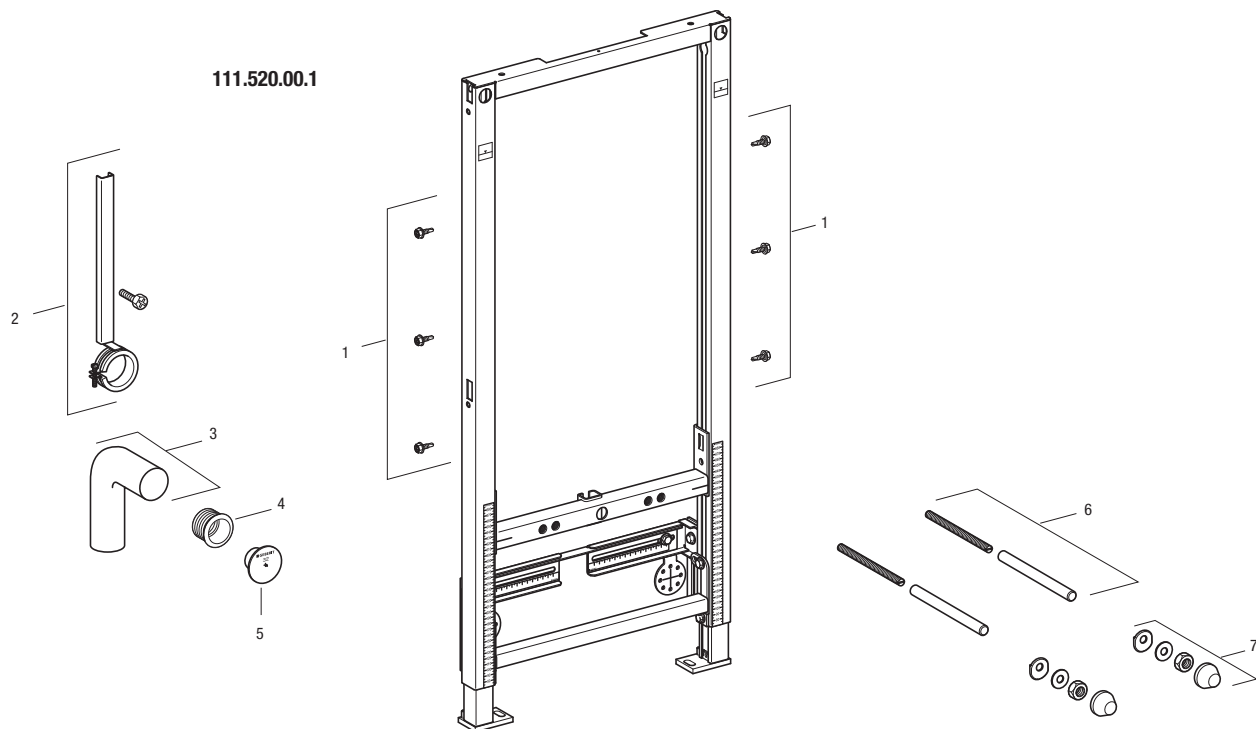


Wall-Hung Bidet Carriers

Replacement Parts for Wall-Hung Bidet Carriers 111.520.00.1 and 111.524.00.1

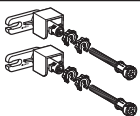
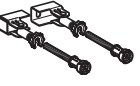
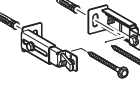


Item No.	Model No.	Description	List Price
1	111.892.00.1	Frame mounting screws for steel stud construction, Galvanized; self-tapping	\$3.00
2	241.066.00.1	Pipe Mounting Bracket	14.00
3	241.067.16.1	Outlet bend – 90 degrees	12.00
4	152.682.00.1	Outlet Seal, EPDM	3.00

Item No.	Model No.	Description	List Price
5	240.306.00.1	Connection Plug	2.00
6	240.189.00.1	Threaded rod	4.00
7	217.713.46.1	Cover caps with leveling washer, Plastic, Matte chrome	5.00

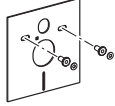



Optional Parts for Wall-Hung Bidet Carriers 111.520.00.1 and 111.524.00.1

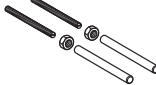
Mounting Accessories for Carrier Frames

Description	Model No.	List Price
 Frame to wall anchoring for 5.12"–7.87" (13–20 cm) thick unfinished pre-wall	111.815.00.1	\$30.00
 Frame to wall anchoring for 5.12"–7.87" (13–20 cm) thick unfinished pre-wall corner installations	111.835.00.1	30.00
 Frame to wall anchoring where foot installations into floor are not allowed for 5.12"–7.87" (13–20 cm) thick unfinished pre-wall	111.867.00.1	61.00
 Frame to stud fastening set for extended stud spacing from 19.75"–25.56" (50–65 cm)	111.869.00.1	30.00
 Frame to wall anchoring extensions for 7.87"–15.75" (20–40 cm) thick unfinished pre-wall	111.887.00.1	11.00

Bowl Connection Accessories

Description	Model No.	List Price
 Acoustic insulation set for wall-hung toilets and bidets	156.050.00.1	\$15.00
 Cover caps with leveling washer, Plastic, Alpine white	217.713.11.1	5.00

Required Accessories for 3.54"–7.09" (9–18 cm) Finished Wall Thickness

 Mounting rod extension set for wall-hung toilet and bidet, M12	242.232.00.1	20.00
--------------------------------------------------------------------------------------------------------------------------------------------------	--------------	-------