

ROUGHING IN DIMENSIONS MAY VARY AND ARE SUBJECT TO CHANGE. NO RESPONSIBILITY IS ASSUMED FOR USE OF SUPERCEDED OR VOIDED DATA.



2100 South Clearwater Drive  
Des Plaines, IL 60018  
Phone: 800-566-2100  
Fax: 847-803-5454  
www.geberitnorthamerica.com

# ROUGH-IN

FITTING NO.

151.466.XX.1

**FOR TECHNICAL ASSISTANCE**  
1-800-TEC-TRUE (1-800-832-8783)

BY: SID DATE: 12-10-04

CHK: *[Signature]* REV: 04-28-08

SUBMITTED MODEL NO.

SUBMITTED AS SHOWN

SUBMITTED AS NOTED

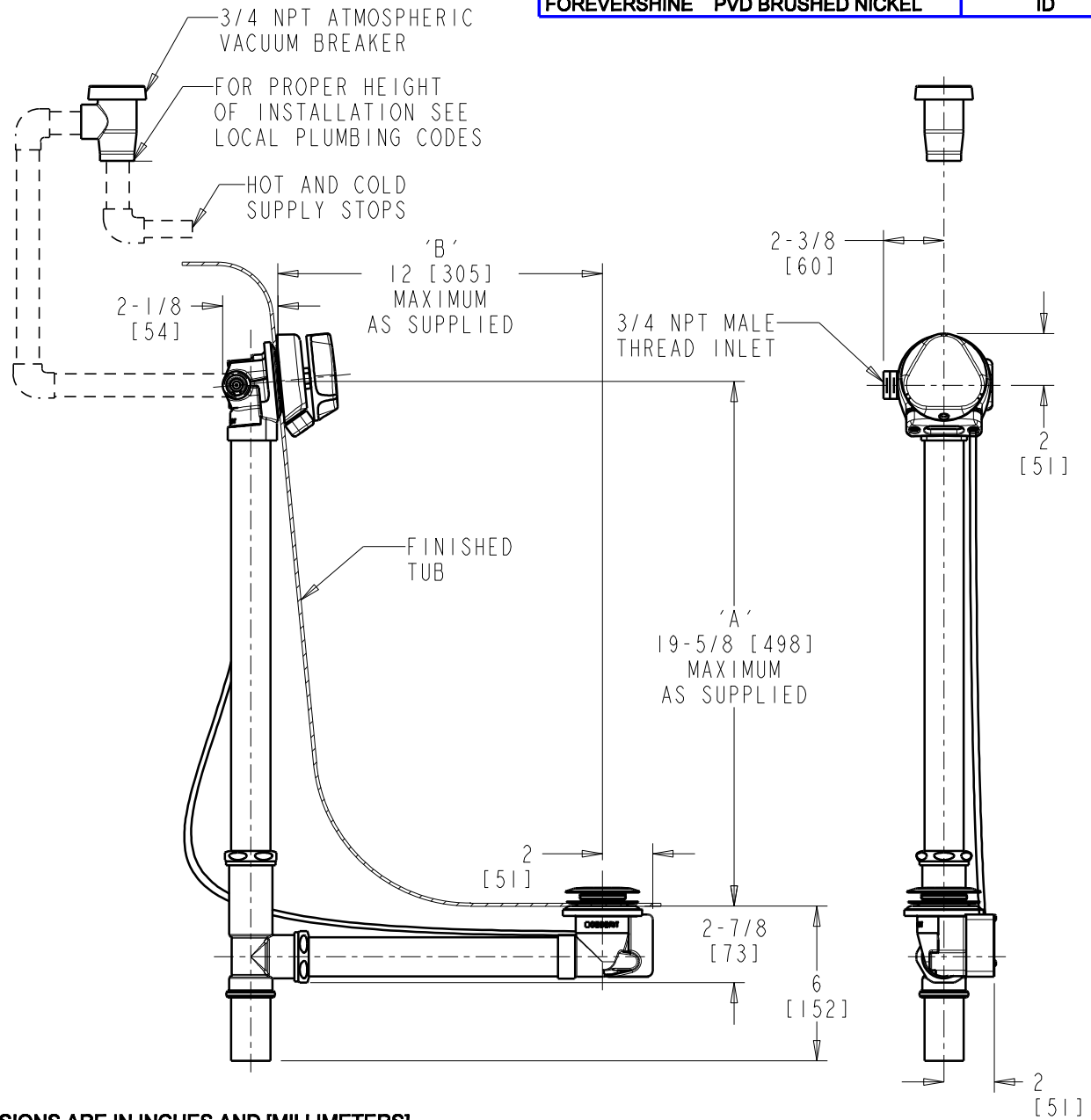
SEE ATTACHED FOR  
SUBMITTED MODIFICATION

JOB NAME

ITEM NO.

**NOTE:**  
'A' + 'B' NOT TO EXCEED 27" .

FINISH DESCRIPTION	FINISH CODE (.XX.)
POLISHED CHROME	21
FOREVERSHINE™ PVD BRASS	GG
FOREVERSHINE™ PVD BRUSHED NICKEL	ID



DIMENSIONS ARE IN INCHES AND [MILLIMETERS].

**TECHNICAL DATA**

- TURN CONTROL CABLE-OPERATED BATH WASTE AND OVERFLOW WITH INTEGRATED FILLER
- SOLID BRASS TRADITIONAL TURN HANDLE AND PLUNGER; FINISHED AS SPECIFIED
- WITH DECORATIVE TRIM KIT
- STAINLESS STEEL STRAINER
- FITS MOST TUBS 17"-24" DEEP
- 27" TEFLON® COATED STAINLESS STEEL CABLE
- 1-1/2" TUBULAR BRASS 17 GA.
- INSTALLATION TOOL INCLUDED
- FITS TUB WALL THICKNESS 1/16" TO 5/16"
- ASME A112.18.2/CSA B125.2 COMPLIANT
- 2" DIA. DRAIN HOLE OPENING
- IAPMO PS 69 COMPLIANT
- 2" TO 2-1/2" DIA. OVERFLOW HOLE OPENING