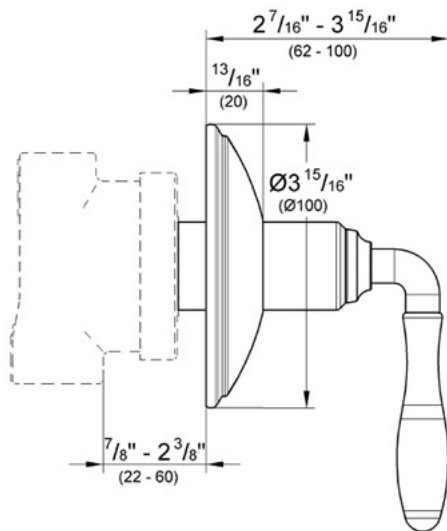


19 221 3-port Diverter Trim



Description

1 inlet, 2 outlets
Seabury lever handle

For use with 29 712 diverter rough-in valve.

Flow Rate

NA

Code Compliance

ASME/ANSI A112.18.1M
ADA Compliant

Finish Options

19 221 OOO Starlight® Chrome
19 221 ROO Infinity Polished Brass
19 221 AVO Infinity Satin Nickel
19 221 RRO Velour Chrome
19 221 BEO Sterling Infinity Finish
19 221 ENO Infinity Brushed Nickel
19 221 ZBO Oil Rubbed Bronze