
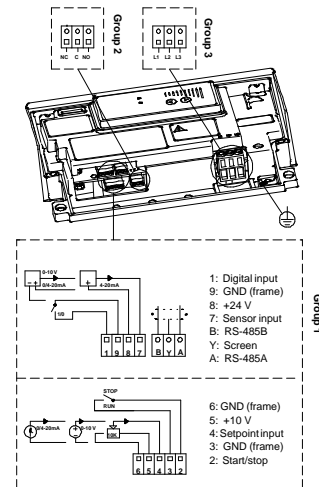
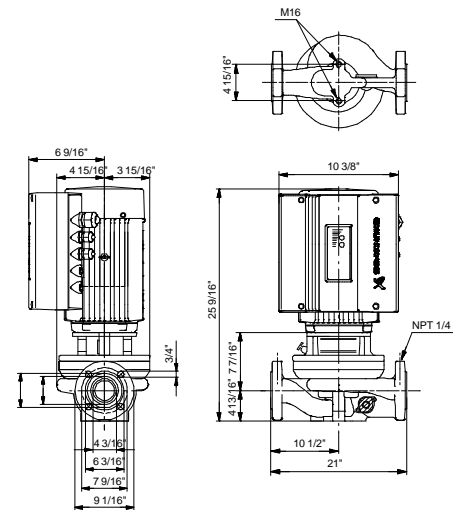
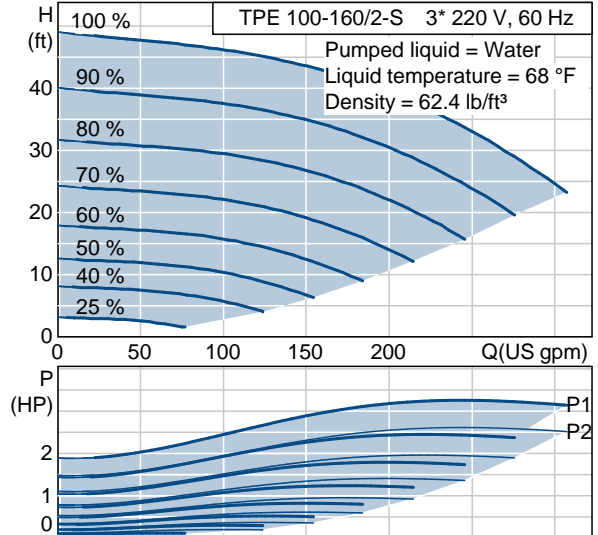




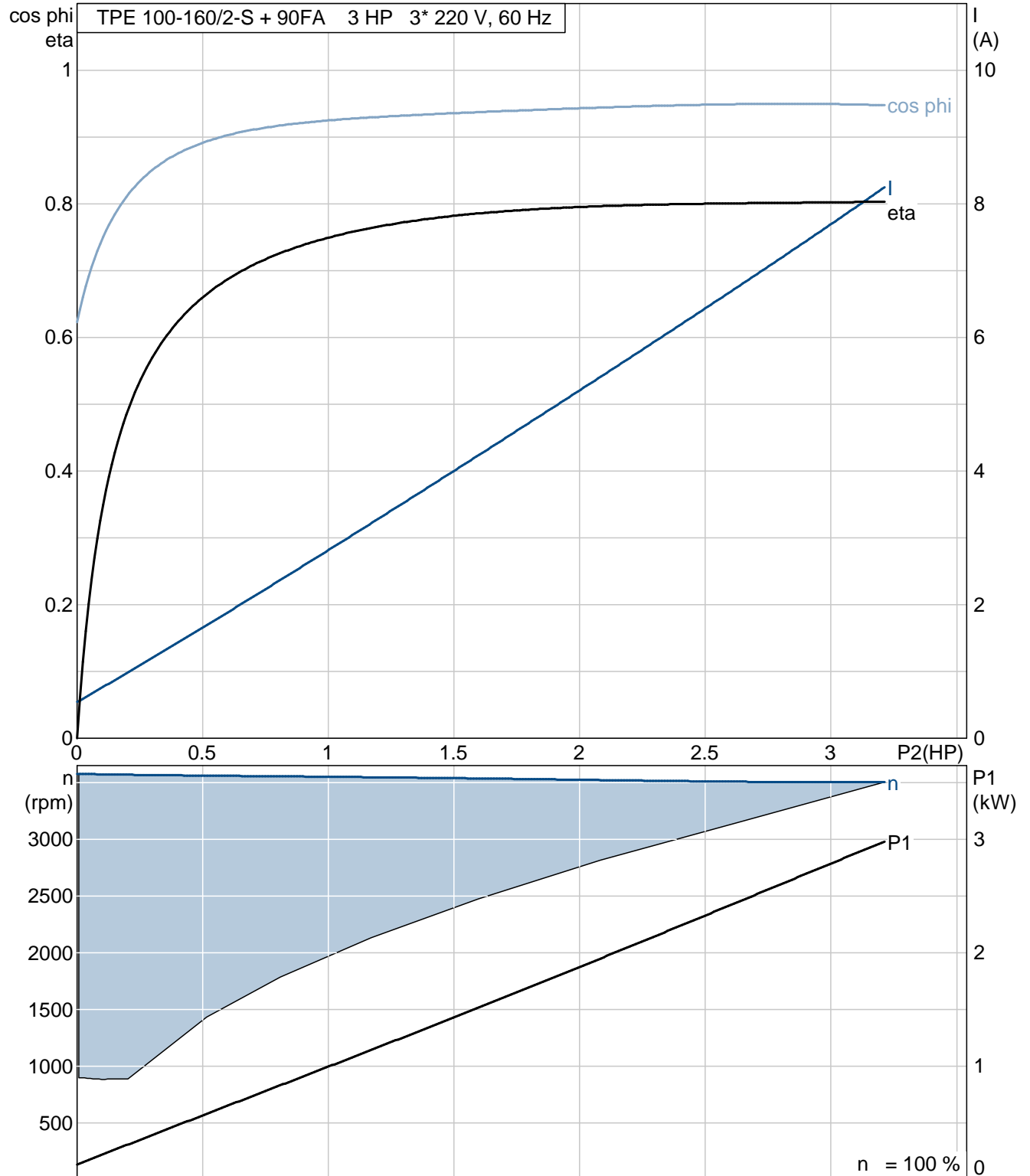
Position	Count	Description	Unit price
	-1	<p data-bbox="350 338 699 357"><b>TPE 100-160/2-S U-G-A-BUBE</b></p> <div data-bbox="354 369 732 793" style="border: 1px solid black; text-align: center;">  </div> <p data-bbox="737 766 1232 785">Product photo could vary from the actual product</p> <p data-bbox="350 823 829 905">Product No.: 91136588                      Single-stage, centrifugal, in-line, single-head pump.</p> <p data-bbox="350 936 873 1018">The in-line design with opposite suction and discharge ports enables mounting in pipework or on a concrete foundation.</p> <p data-bbox="350 1050 756 1104">The shaft seal is a corrosion resistant maintenance-free mechanical seal.</p> <p data-bbox="350 1136 878 1304">The pump is fitted with a three-phase MLE motor with frequency converter and PI-controller integrated in the motor terminal box. No additional motor protection is required as both motor and electronics are protected by integrated overload and temperature protection.</p> <p data-bbox="350 1335 850 1446">A differential pressure transmitter fitted on the pump registers the differential pressure across the pump and enables constant pressure or proportional pressure control of the pump.</p> <p data-bbox="350 1478 886 1589">A control panel enables setting of required setpoint as well as setting of pump to MIN or MAX operation or to STOP. The control panel has indicator lights for "Operation" and "Fault".</p> <p data-bbox="350 1621 911 1761">Communication with the pump is possible by means of Grundfos R100 Remote Control enabling further settings as well as reading out of a number of parameters such as "Actual value", "Speed", "Power input" and total "Power consumption".</p> <p data-bbox="350 1793 854 1875">The terminal box holds terminals for the connection of :                      - Pump start/stop (potential-free contact),</p>	On request

Position	Count	Description	Unit price
		<ul style="list-style-type: none"> <li>- external remote setpoint setting via analog signal, 0 - 5 V, 0 - 10 V, 0(4) - 20 mA,</li> <li>- 5 V voltage supply for setpoint potentiometer, I<sub>max</sub> = 5 mA,</li> <li>- differential pressure sensor factory-fitted,</li> <li>- input for forced control to MIN or MAX (potential-free contact),</li> <li>- potential-free fault signal relay with changeover contact,</li> <li>- RS485 GENIbus.</li> </ul> <p>Liquid:            Liquid temperature range: 5 .. 284 °F            Liquid temp: 68 °F</p> <p><b>Technical:</b>            Actual calculated flow: 146 US gpm            Resulting head of the pump: 43.9 ft            Shaft seal: BUBE            Maximum operating pressure: 145 psi</p> <p><b>Materials:</b>            Pump housing: Cast iron                              EN-JL1040                              ASTM 25 B            Impeller: Stainless steel                              DIN W.-Nr. 1.4301                              AISI 304</p> <p><b>Installation:</b>            Maximum ambient temperature: 104 °F            Maximum operating pressure: 145 psi            Flange standard: ANSI            Pipe connection: 4"            Pressure stage: Class 125            Flange size for motor: 182TC</p> <p><b>Electrical data:</b>            Motor type: 90FA            Number of poles: 2            Rated power - P2: 3 HP            Main frequency: 60 Hz            Rated voltage: 3 x 208-230 V            Rated current: 8.3 A            Cos phi - power factor: 0.95            Rated speed: 3460 rpm            Enclosure class (IEC 34-5): 55            Insulation class (IEC 85): F</p> <p><b>Others:</b>            Gross weight: 162 lb</p>	

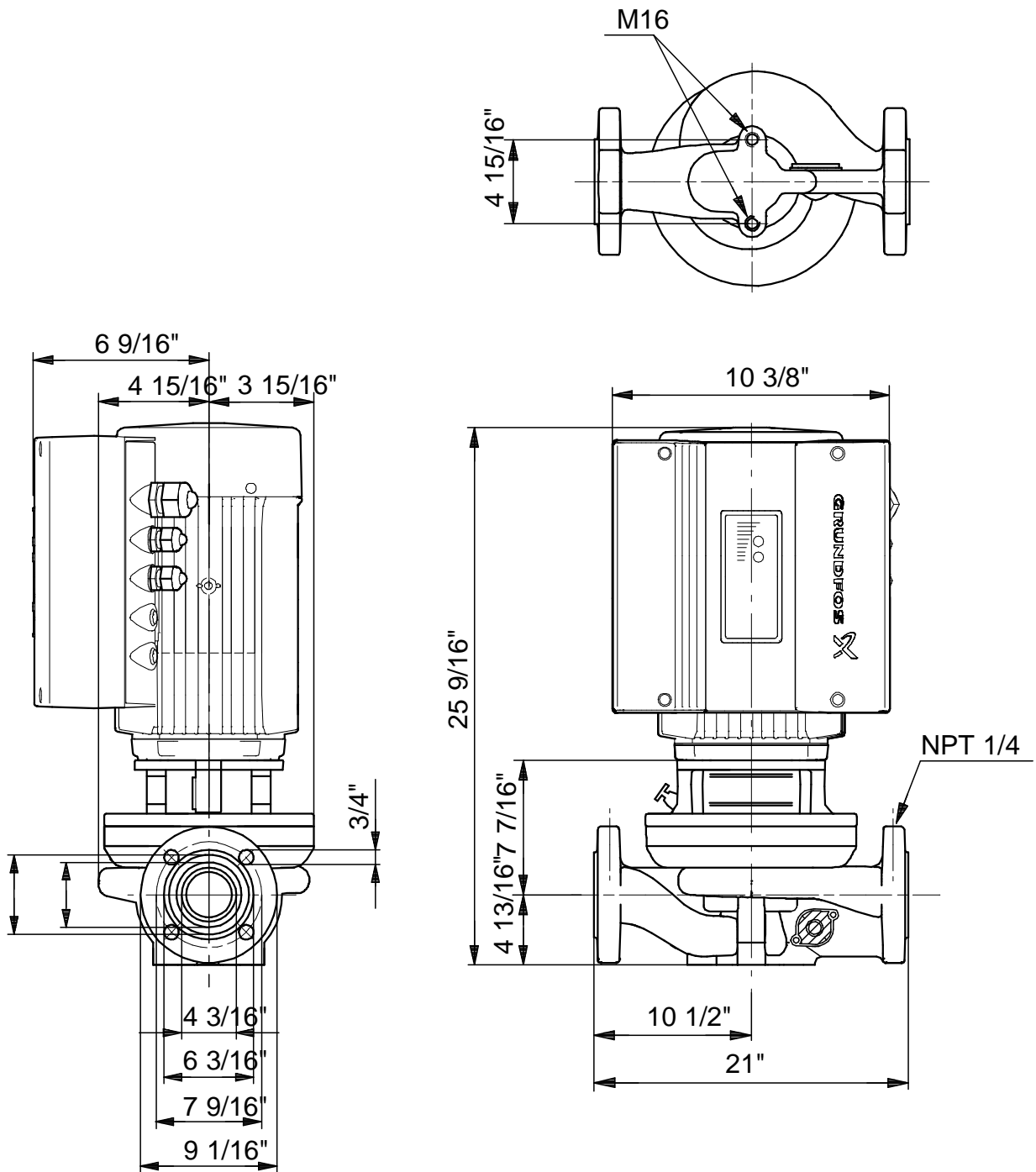
Description	Value
Product name:	TPE 100-160/2-S U-G-A-BUBE
Product Number:	91136588
EAN number:	5700838117127
<b>Technical:</b>	
Actual calculated flow:	146 US gpm
Resulting head of the pump:	43.9 ft
Head max:	52.5 ft
Shaft seal:	BUBE
Maximum operating pressure:	145 psi
Pump Number:	96405361
Pump version:	U
<b>Materials:</b>	
Pump housing:	Cast iron EN-JL1040 ASTM 25 B
Impeller:	Stainless steel DIN W.-Nr. 1.4301 AISI 304
Material code:	A
<b>Installation:</b>	
Maximum ambient temperature:	104 °F
Maximum operating pressure:	145 psi
Flange standard:	ANSI
Connect code:	G
Pipe connection:	4"
Pressure stage:	Class 125
Flange size for motor:	182TC
<b>Liquid:</b>	
Liquid temperature range:	5 .. 284 °F
Liquid temp:	68 °F
<b>Electrical data:</b>	
Motor type:	90FA
Number of poles:	2
Rated power - P2:	3 HP
Main frequency:	60 Hz
Rated voltage:	3 x 208-230 V
Rated current:	8.3 A
Cos phi - power factor:	0.95
Rated speed:	3460 rpm
Enclosure class (IEC 34-5):	55
Insulation class (IEC 85):	F
Motor protection:	NONE
Motor Number:	85900826
<b>Others:</b>	
Gross weight:	162 lb
Config. file no:	97845546



## 91136588 TPE 100-160/2-S 60 Hz

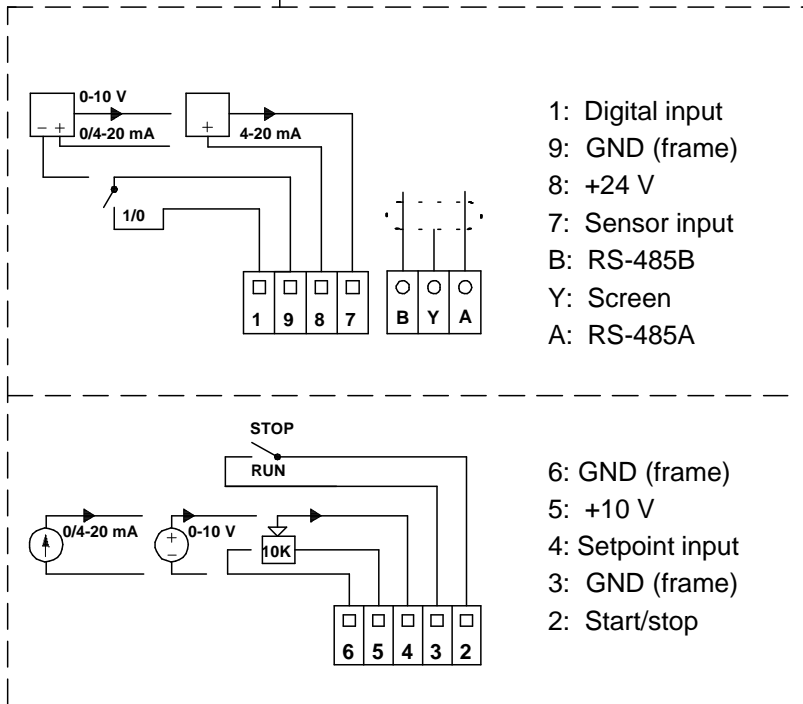
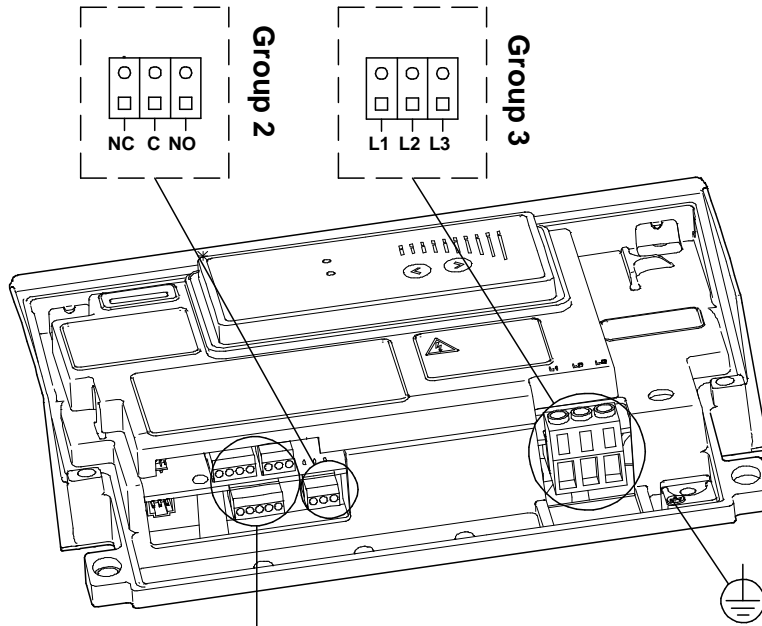


91136588 TPE 100-160/2-S 60 Hz



Note! All units are in [mm] unless others are stated.  
 Disclaimer: This simplified dimensional drawing does not show all details.

## 91136588 TPE 100-160/2-S 60 Hz



All units are [mm] unless otherwise presented.