
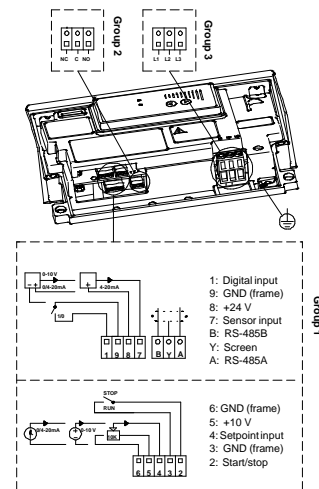
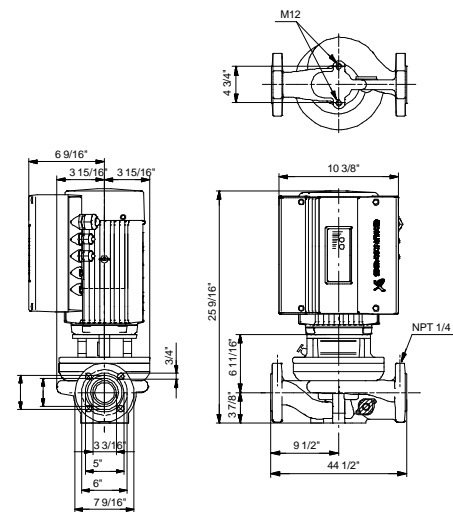
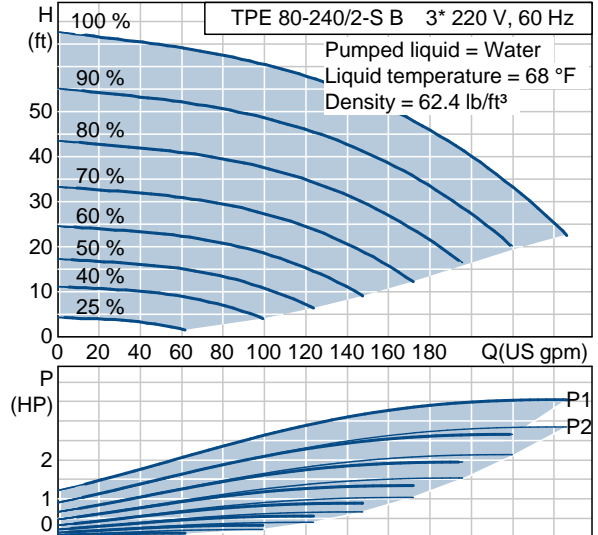




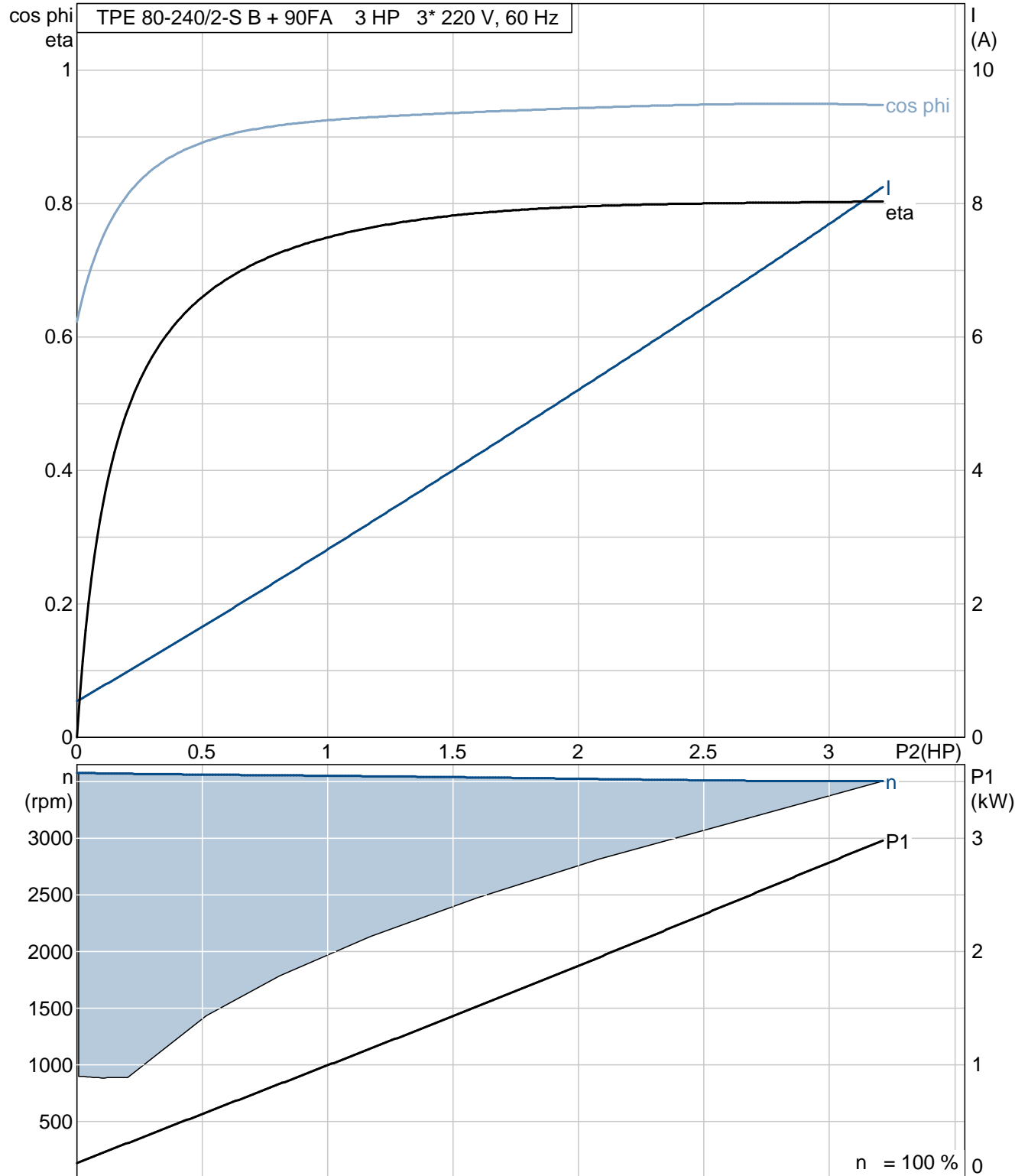
Position	Count	Description	Unit price
	-1	<p data-bbox="354 340 706 367">TPE 80-240/2-S B U-G-Z-BUBE</p> <div data-bbox="354 373 730 793" style="border: 1px solid black; text-align: center;">  </div> <p data-bbox="738 766 1234 793">Product photo could vary from the actual product</p> <p data-bbox="354 823 836 907">Product No.: 91136605 Single-stage, centrifugal, in-line, single-head pump.</p> <p data-bbox="354 940 876 1024">The in-line design with opposite suction and discharge ports enables mounting in pipework or on a concrete foundation.</p> <p data-bbox="354 1054 755 1108">The shaft seal is a corrosion resistant maintenance-free mechanical seal.</p> <p data-bbox="354 1138 885 1306">The pump is fitted with a three-phase MLE motor with frequency converter and PI-controller integrated in the motor terminal box. No additional motor protection is required as both motor and electronics are protected by integrated overload and temperature protection.</p> <p data-bbox="354 1339 852 1453">A differential pressure transmitter fitted on the pump registers the differential pressure across the pump and enables constant pressure or proportional pressure control of the pump.</p> <p data-bbox="354 1486 885 1600">A control panel enables setting of required setpoint as well as setting of pump to MIN or MAX operation or to STOP. The control panel has indicator lights for "Operation" and "Fault".</p> <p data-bbox="354 1633 909 1768">Communication with the pump is possible by means of Grundfos R100 Remote Control enabling further settings as well as reading out of a number of parameters such as "Actual value", "Speed", "Power input" and total "Power consumption".</p> <p data-bbox="354 1801 852 1885">The terminal box holds terminals for the connection of : - Pump start/stop (potential-free contact),</p>	On request

Position	Count	Description	Unit price
		<ul style="list-style-type: none"> - external remote setpoint setting via analog signal, 0 - 5 V, 0 - 10 V, 0(4) - 20 mA, - 5 V voltage supply for setpoint potentiometer, I_{max} = 5 mA, - differential pressure sensor factory-fitted, - input for forced control to MIN or MAX (potential-free contact), - potential-free fault signal relay with changeover contact, - RS485 GENIbus. <p>Liquid: Liquid temperature range: 5 .. 284 °F Liquid temp: 68 °F</p> <p>Technical: Actual calculated flow: 161 US gpm Resulting head of the pump: 49.8 ft Shaft seal: BUBE Maximum operating pressure: 145 psi</p> <p>Materials: Pump housing: Bronze DIN W.-Nr. 2.1050 ASTM B505-C90700 Impeller: Stainless steel DIN W.-Nr. 1.4301 AISI 304</p> <p>Installation: Maximum ambient temperature: 104 °F Maximum operating pressure: 145 psi Flange standard: ANSI Pipe connection: 3" Pressure stage: Class 125 Flange size for motor: 182TC</p> <p>Electrical data: Motor type: 90FA Number of poles: 2 Rated power - P2: 3 HP Main frequency: 60 Hz Rated voltage: 3 x 208-230 V Rated current: 8.3 A Cos phi - power factor: 0.95 Rated speed: 3460 rpm Enclosure class (IEC 34-5): 55 Insulation class (IEC 85): F</p> <p>Others: Gross weight: 155 lb</p>	

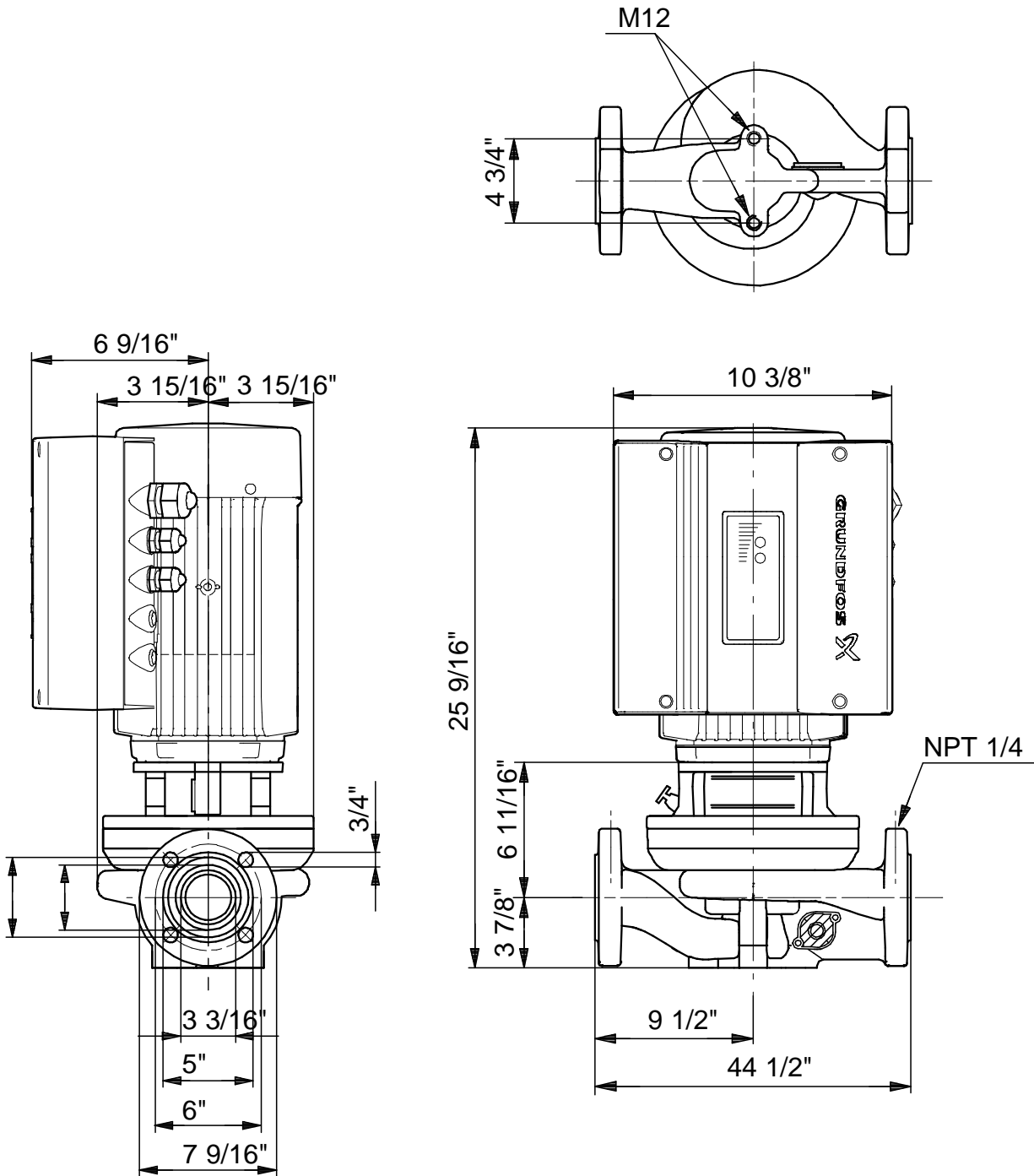
Description	Value
Product name:	TPE 80-240/2-S B U-G-Z-BUBE
Product Number:	91136605
EAN number:	5700838117080
Technical:	
Actual calculated flow:	161 US gpm
Resulting head of the pump:	49.8 ft
Head max:	78.7 ft
Shaft seal:	BUBE
Maximum operating pressure:	145 psi
Pump Number:	96405276
Pump version:	U
Materials:	
Pump housing:	Bronze DIN W.-Nr. 2.1050 ASTM B505-C90700
Impeller:	Stainless steel DIN W.-Nr. 1.4301 AISI 304
Material code:	Z
Installation:	
Maximum ambient temperature:	104 °F
Maximum operating pressure:	145 psi
Flange standard:	ANSI
Connect code:	G
Pipe connection:	3"
Pressure stage:	Class 125
Flange size for motor:	182TC
Liquid:	
Liquid temperature range:	5 .. 284 °F
Liquid temp:	68 °F
Electrical data:	
Motor type:	90FA
Number of poles:	2
Rated power - P2:	3 HP
Main frequency:	60 Hz
Rated voltage:	3 x 208-230 V
Rated current:	8.3 A
Cos phi - power factor:	0.95
Rated speed:	3460 rpm
Enclosure class (IEC 34-5):	55
Insulation class (IEC 85):	F
Motor protection:	NONE
Motor Number:	85900826
Others:	
Gross weight:	155 lb
Config. file no:	97845545



91136605 TPE 80-240/2-S B 60 Hz

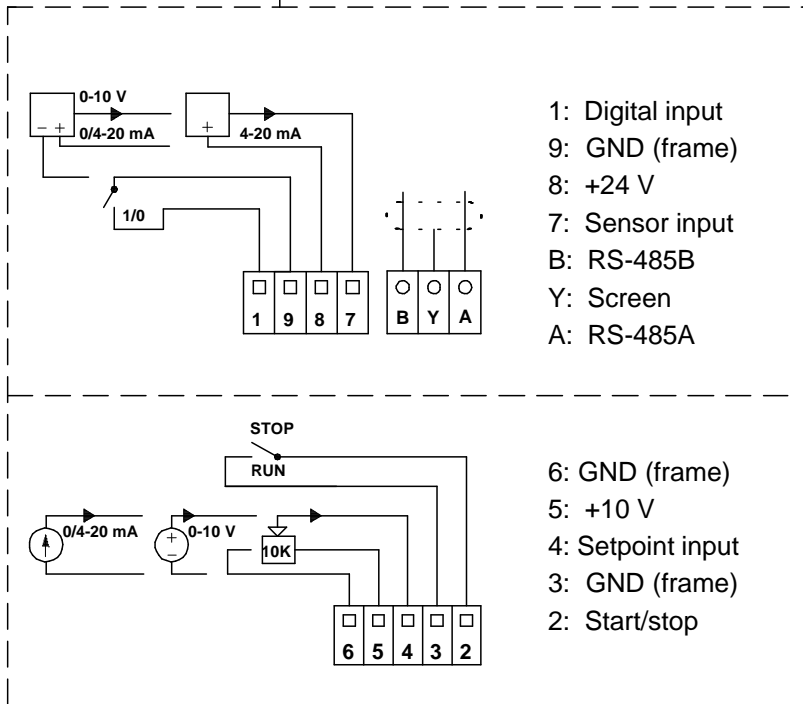
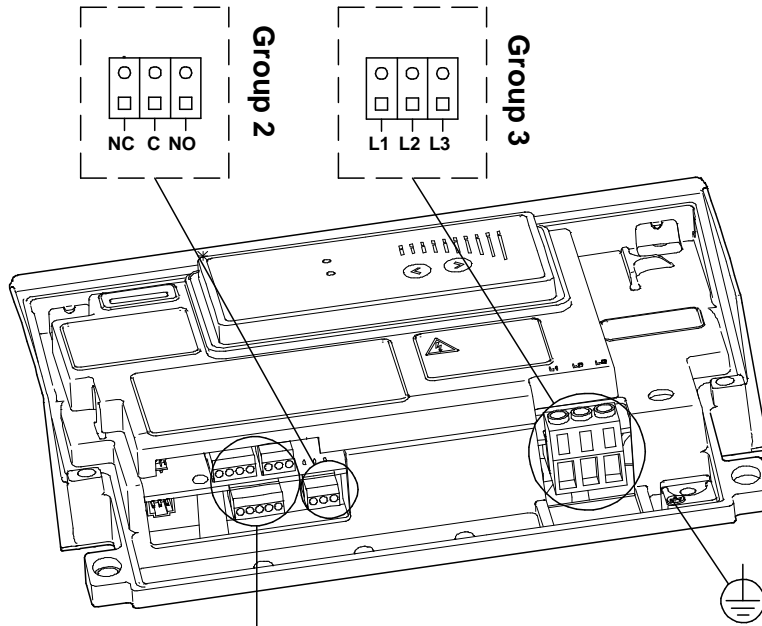


91136605 TPE 80-240/2-S B 60 Hz



Note! All units are in [mm] unless others are stated.
 Disclaimer: This simplified dimensional drawing does not show all details.

91136605 TPE 80-240/2-S B 60 Hz



All units are [mm] unless otherwise presented.