
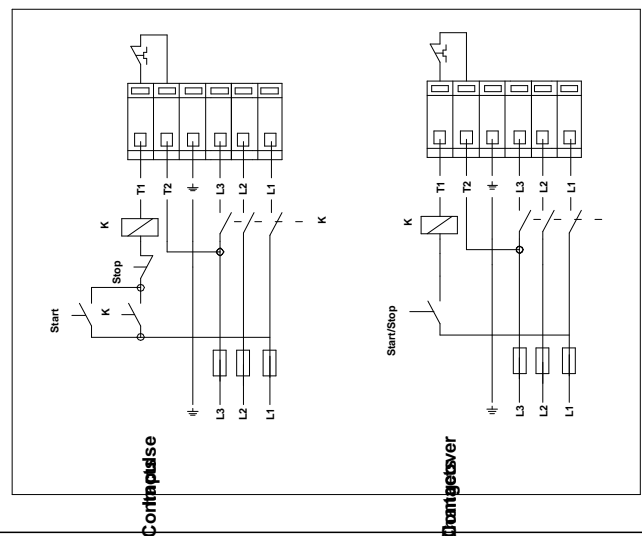
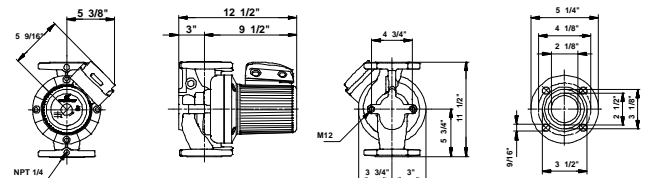
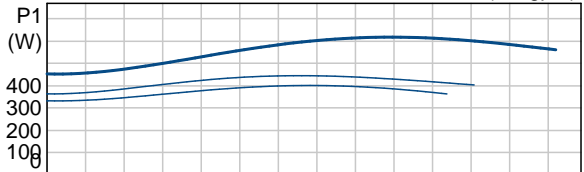
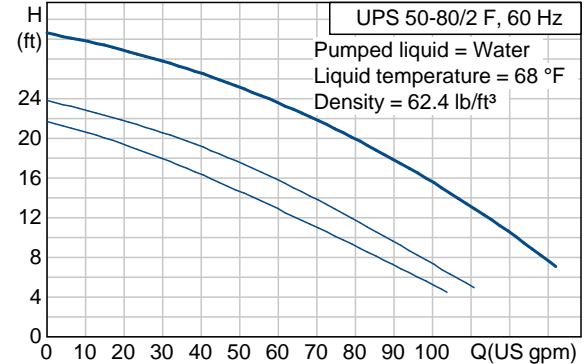




Position	Count	Description	Unit price
	-1	<p data-bbox="354 340 495 361"><b>UPS 50-80/2</b></p> <div data-bbox="354 369 732 703" style="border: 1px solid black; text-align: center;">  </div> <p data-bbox="737 676 1230 697">Product photo could vary from the actual product</p> <p data-bbox="354 735 885 871">Product No.: 96402838                      The pump is of the canned rotor type, i.e. pump and motor form an integral unit without shaft seal and with only two gaskets for sealing. The bearings are lubricated by the pumped liquid.</p> <p data-bbox="354 907 868 987">In order to avoid problems in connection with disposal, great importance has been attached to using as few different materials as possible.</p> <p data-bbox="354 1018 698 1045"><b>The pump is characterized by:</b></p> <ul data-bbox="389 1050 836 1270" style="list-style-type: none"> <li>* 3-speed motor.</li> <li>* Ceramic radial bearings.</li> <li>* Carbon axial bearing.</li> <li>* Stainless steel rotor can, bearing plate and rotor cladding.</li> <li>* Aluminium alloy stator housing.</li> <li>* Cast iron pump housing.</li> <li>* Stator with built-in thermal switch.</li> </ul> <p data-bbox="354 1306 673 1333">The motor is a 3-phase motor.</p> <p data-bbox="354 1365 852 1474">The pump is supplied with a standard module in the terminal box. The standard module is to be connected to the mains supply via external contactor.</p> <p data-bbox="354 1507 462 1533"><b>Controls:</b></p> <p data-bbox="354 1537 852 1564">Relay: without relay</p> <p data-bbox="354 1596 438 1621"><b>Liquid:</b></p> <p data-bbox="354 1625 836 1652">Liquid temperature range: 14 .. 248 °F</p> <p data-bbox="354 1656 771 1684">Liquid temp: 68 °F</p> <p data-bbox="354 1715 479 1740"><b>Technical:</b></p> <p data-bbox="354 1745 852 1772">Actual calculated flow: 62.9 US gpm</p> <p data-bbox="354 1776 787 1803">Resulting head of the pump: 23.2 ft</p> <p data-bbox="354 1808 795 1835">Maximum operating pressure: 145 psi</p> <p data-bbox="354 1839 763 1866">Approvals on nameplate: CUL</p>	On request

Position	Count	Description	Unit price
		<p><b>Materials:</b></p> <p>Pump housing: Cast iron EN-JL1040</p> <p>Impeller: ASTM 35 B - 40 B Stainless steel DIN W.-Nr. 1.4301 AISI 304</p> <p><b>Installation:</b></p> <p>Range of ambient temperature: 32 .. 104 °F            Maximum operating pressure: 145 psi            Flange standard: USA            Type of connection: F            Pipe connection: 50            Pressure stage: 145 psi            Port-to-port length: 11 1/2" mm</p> <p><b>Electrical data:</b></p> <p>Number of poles: 2            Power input in speed 1: 400 W            Power input in speed 2: 440 W            Max. power input: 610 W            Main frequency: 60 Hz            Rated voltage: 3 x 208-230 V            Current in speed 1: 1.08 A            Current in speed 2: 1.2 A            Current in speed 3: 1.92 A            Cos phi in speed 1: 0,93            Cos phi in speed 2: 0,92            Cos phi: 0,8            Enclosure class (IEC 34-5): X4D            Insulation class (IEC 85): F</p> <p><b>Others:</b></p> <p>Net weight: 48.7 lb            Gross weight: 53.4 lb            Shipping volume: 2.08 ft<sup>3</sup></p>	

Description	Value
Product name:	UPS 50-80/2 F
Product Number:	96402838
EAN number:	5700390683351
<b>Technical:</b>	
Speed Number:	3
Actual calculated flow:	62.9 US gpm
Resulting head of the pump:	23.2 ft
Head max:	26.2 ft
Maximum operating pressure:	145 psi
Approvals on nameplate:	CUL
Model:	C
<b>Materials:</b>	
Pump housing:	Cast iron EN-JL1040 ASTM 35 B - 40 B
Impeller:	Stainless steel DIN W.-Nr. 1.4301 AISI 304
<b>Installation:</b>	
Range of ambient temperature:	32 .. 104 °F
Maximum operating pressure:	145 psi
Flange standard:	USA
Type of connection:	F
Pipe connection:	50
Pressure stage:	145 psi
Port-to-port length:	11 1/2" mm
<b>Liquid:</b>	
Liquid temperature range:	14 .. 248 °F
Liquid temp:	68 °F
<b>Electrical data:</b>	
Number of poles:	2
Power input in speed 1:	400 W
Power input in speed 2:	440 W
Max. power input:	610 W
Main frequency:	60 Hz
Rated voltage:	3 x 208-230 V
Current in speed 1:	1.08 A
Current in speed 2:	1.2 A
Current in speed 3:	1.92 A
Cos phi in speed 1:	0,93
Cos phi in speed 2:	0,92
Cos phi:	0,8
Enclosure class (IEC 34-5):	X4D
Insulation class (IEC 85):	F
Motor protection:	CONTACT
Thermal protec:	external
R:	26.0 - 34.0 ohm
<b>Controls:</b>	
Relay:	without relay
Pos term box:	1.30H
<b>Others:</b>	
Net weight:	48.7 lb
Gross weight:	53.4 lb
Shipping volume:	2.08 ft³

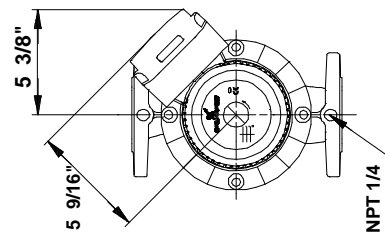
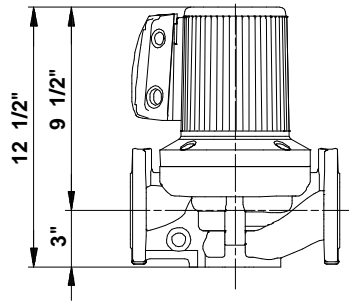
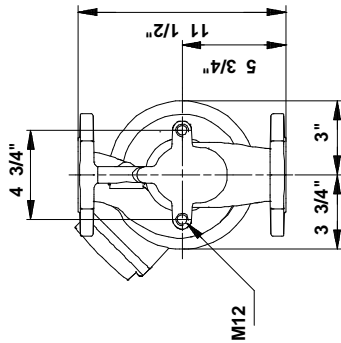
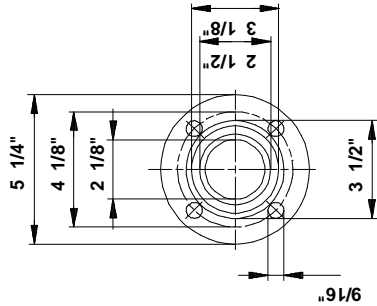




Company name: -  
Created by: -  
Phone: -  
Fax: -  
Date: -

Description	Value
Sales region:	Namreg

**96402838 UPS 50-80/2 F 60 Hz**



Note! All units are in [mm] unless others are stated.  
 Disclaimer: This simplified dimensional drawing does not show all details.