
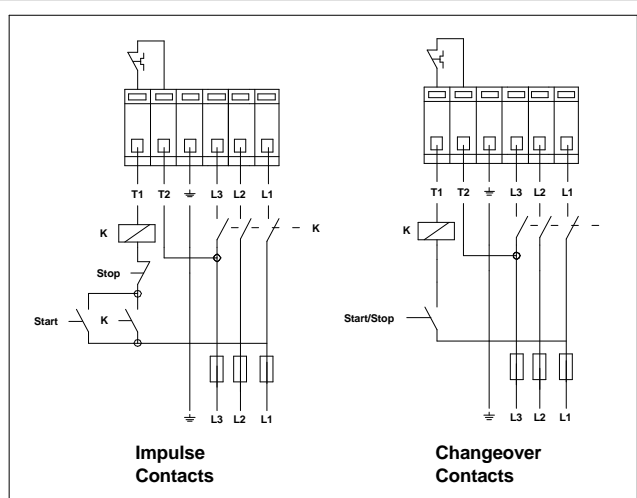
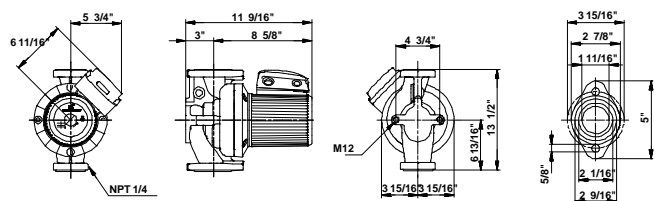
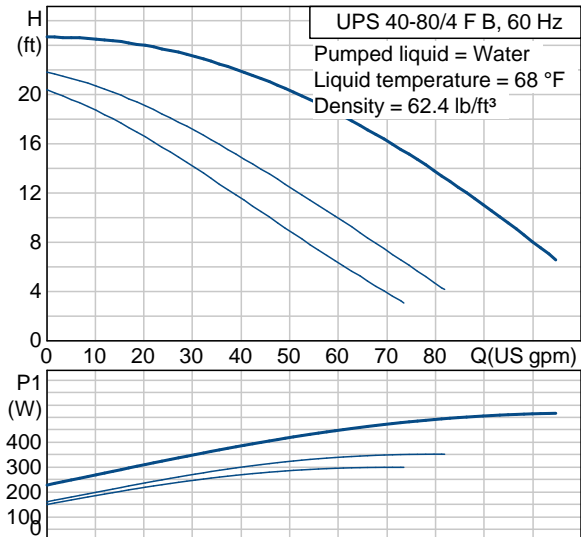




Position	Count	Description	Unit price
	-1	<p data-bbox="354 340 495 361"><b>UPS 40-80/4</b></p> <div data-bbox="354 367 730 703" style="border: 1px solid black; text-align: center;">  </div> <p data-bbox="738 676 1234 697">Product photo could vary from the actual product</p> <p data-bbox="354 735 885 871">Product No.: 96404955                      The pump is of the canned rotor type, i.e. pump and motor form an integral unit without shaft seal and with only two gaskets for sealing. The bearings are lubricated by the pumped liquid.</p> <p data-bbox="354 903 868 987">In order to avoid problems in connection with disposal, great importance has been attached to using as few different materials as possible.</p> <p data-bbox="354 1018 698 1039"><b>The pump is characterized by:</b></p> <ul data-bbox="389 1050 836 1270" style="list-style-type: none"> <li>* 3-speed motor.</li> <li>* Ceramic radial bearings.</li> <li>* Carbon axial bearing.</li> <li>* Stainless steel rotor can, bearing plate and rotor cladding.</li> <li>* Aluminium alloy stator housing.</li> <li>* Bronze pump housing.</li> <li>* Stator with built-in thermal switch.</li> </ul> <p data-bbox="354 1302 673 1323">The motor is a 3-phase motor.</p> <p data-bbox="354 1354 852 1470">The pump is supplied with a standard module in the terminal box. The standard module is to be connected to the mains supply via external contactor.</p> <p data-bbox="354 1501 462 1522"><b>Controls:</b></p> <p data-bbox="354 1533 852 1554">Relay: without relay</p> <p data-bbox="354 1585 438 1606"><b>Liquid:</b></p> <p data-bbox="354 1617 836 1638">Liquid temperature range: 14 .. 248 °F</p> <p data-bbox="354 1648 771 1669">Liquid temp: 68 °F</p> <p data-bbox="354 1701 479 1722"><b>Technical:</b></p> <p data-bbox="354 1732 852 1753">Actual calculated flow: 49.9 US gpm</p> <p data-bbox="354 1764 787 1785">Resulting head of the pump: 20.4 ft</p> <p data-bbox="354 1795 795 1816">Maximum operating pressure: 145 psi</p> <p data-bbox="354 1827 763 1848">Approvals on nameplate: CUL</p>	On request

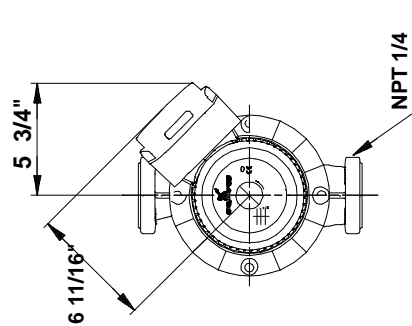
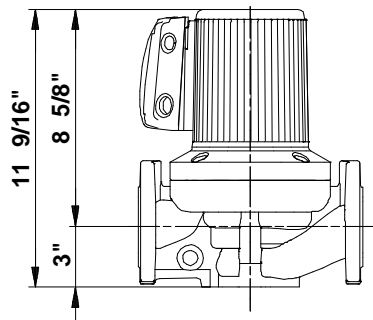
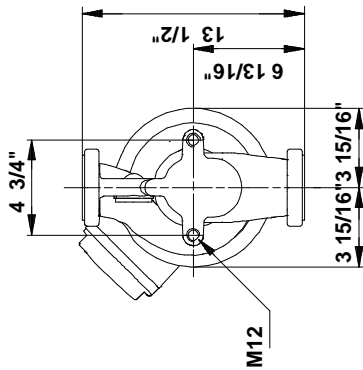
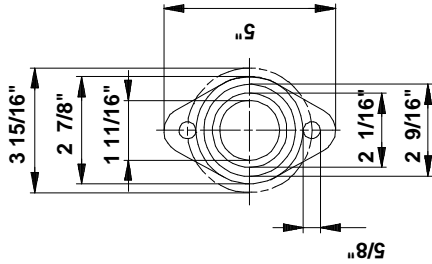
Position	Count	Description	Unit price
		<p><b>Materials:</b></p> <p>Pump housing: Bronze            DIN W.-Nr. 2.1176.01</p> <p>Impeller: Stainless steel            DIN W.-Nr. 1.4301            AISI 304</p> <p><b>Installation:</b></p> <p>Range of ambient temperature: 32 .. 104 °F            Maximum operating pressure: 145 psi            Flange standard: USA Oval            Type of connection: F            Pipe connection: 40            Pressure stage: 145 psi            Port-to-port length: 13 1/2" mm</p> <p>Electrical data:</p> <p>Number of poles: 4            Power input in speed 1: 305 W            Power input in speed 2: 370 W            Max. power input: 550 W            Main frequency: 60 Hz            Rated voltage: 3 x 208-230 V            Current in speed 1: 1 A            Current in speed 2: 1.2 A            Current in speed 3: 1.98 A            Cos phi in speed 1: 0,77            Cos phi in speed 2: 0,77            Cos phi: 0,7            Enclosure class (IEC 34-5): X4D            Insulation class (IEC 85): H</p> <p><b>Others:</b></p> <p>Net weight: 52 lb            Gross weight: 64.2 lb            Shipping volume: 3.46 ft<sup>3</sup></p>	

Description	Value
Product name:	UPS 40-80/4 F B
Product Number:	96404955
EAN number:	5700390738495
<b>Technical:</b>	
Speed Number:	3
Actual calculated flow:	49.9 US gpm
Resulting head of the pump:	20.4 ft
Head max:	26.2 ft
Maximum operating pressure:	145 psi
Approvals on nameplate:	CUL
Model:	C
<b>Materials:</b>	
Pump housing:	Bronze DIN W.-Nr. 2.1176.01
Impeller:	Stainless steel DIN W.-Nr. 1.4301 AISI 304
<b>Installation:</b>	
Range of ambient temperature:	32 .. 104 °F
Maximum operating pressure:	145 psi
Flange standard:	USA Oval
Type of connection:	F
Pipe connection:	40
Pressure stage:	145 psi
Port-to-port length:	13 1/2" mm
<b>Liquid:</b>	
Liquid temperature range:	14 .. 248 °F
Liquid temp:	68 °F
<b>Electrical data:</b>	
Number of poles:	4
Power input in speed 1:	305 W
Power input in speed 2:	370 W
Max. power input:	550 W
Main frequency:	60 Hz
Rated voltage:	3 x 208-230 V
Current in speed 1:	1 A
Current in speed 2:	1.2 A
Current in speed 3:	1.98 A
Cos phi in speed 1:	0,77
Cos phi in speed 2:	0,77
Cos phi:	0,7
Enclosure class (IEC 34-5):	X4D
Insulation class (IEC 85):	H
Motor protection:	CONTACT
Thermal protec:	external
R:	46.5 - 61.0 ohm
<b>Controls:</b>	
Relay:	without relay
Pos term box:	1.30H
<b>Others:</b>	
Net weight:	52 lb
Gross weight:	64.2 lb
Shipping volume:	3.46 ft³
Sales region:	Namreg





**96404955 UPS 40-80/4 F B 60 Hz**



Note! All units are in [mm] unless others are stated.  
 Disclaimer: This simplified dimensional drawing does not show all details.